

Fixture Installation

Read all of these instructions before installing fixtures.

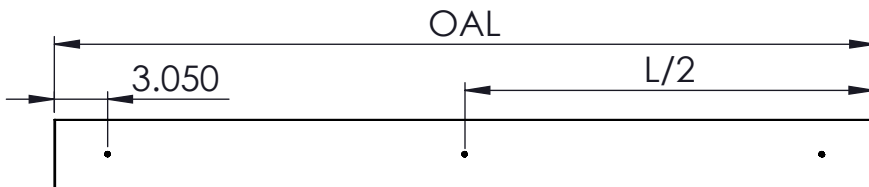
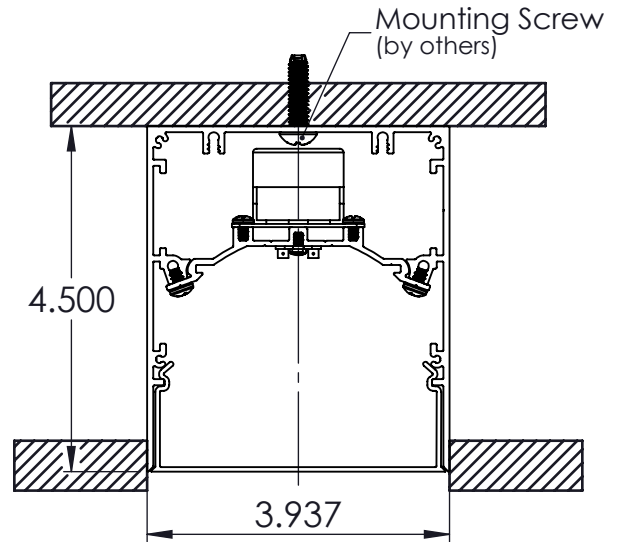
- Keep all of the instructions for future reference. - Turn off power before installing fixture. - Installation is to be performed by a qualified electrician only. - All installations are to conform to the standards of the National Electrical Code as well as all local jurisdictional codes and regulations. - Any modification of the luminaire will void any and all written or implied warranties. - Do not open the luminaire. - this will void the IP rating. - The manufacturer accepts no responsibility for damage to persons or property arising through improper use or installation.

THIS PRODUCT MUST BE INSTALLED IN ACCORDANCE WITH THE APPLICABLE INSTALLATION CODE BY A PERSON FAMILIAR WITH THE CONSTRUCTION AND OPERATION OF THE PRODUCT AND THE HAZARDS INVOLVED

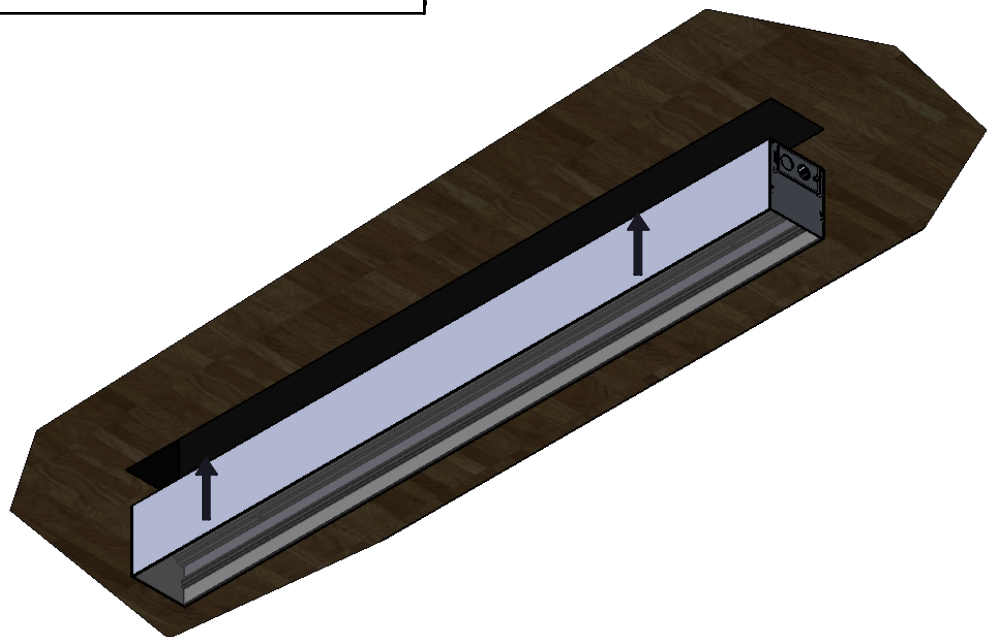
Installation

- Turn Power Off Before Installing.

- Remove gear tray from housing.
- Feed power and wire cables through wire access window on end cap.
- Mount housing into the ceiling/wall and secure with mounting screws.
- If multiple housings see Pg 2 for joiner steps and complete for all housings in a single run before proceeding.
- Make up power and wire connections to driver and mount gear tray into housing so that it butts up against end cap without power feed opening.
- Install diffuser
- Energize



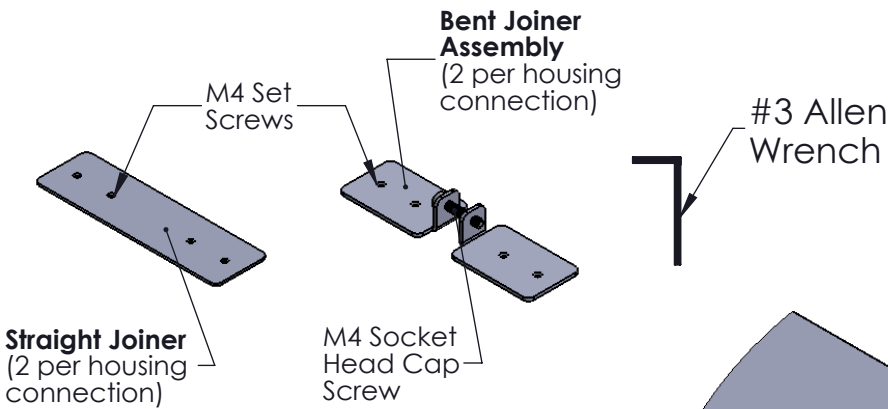
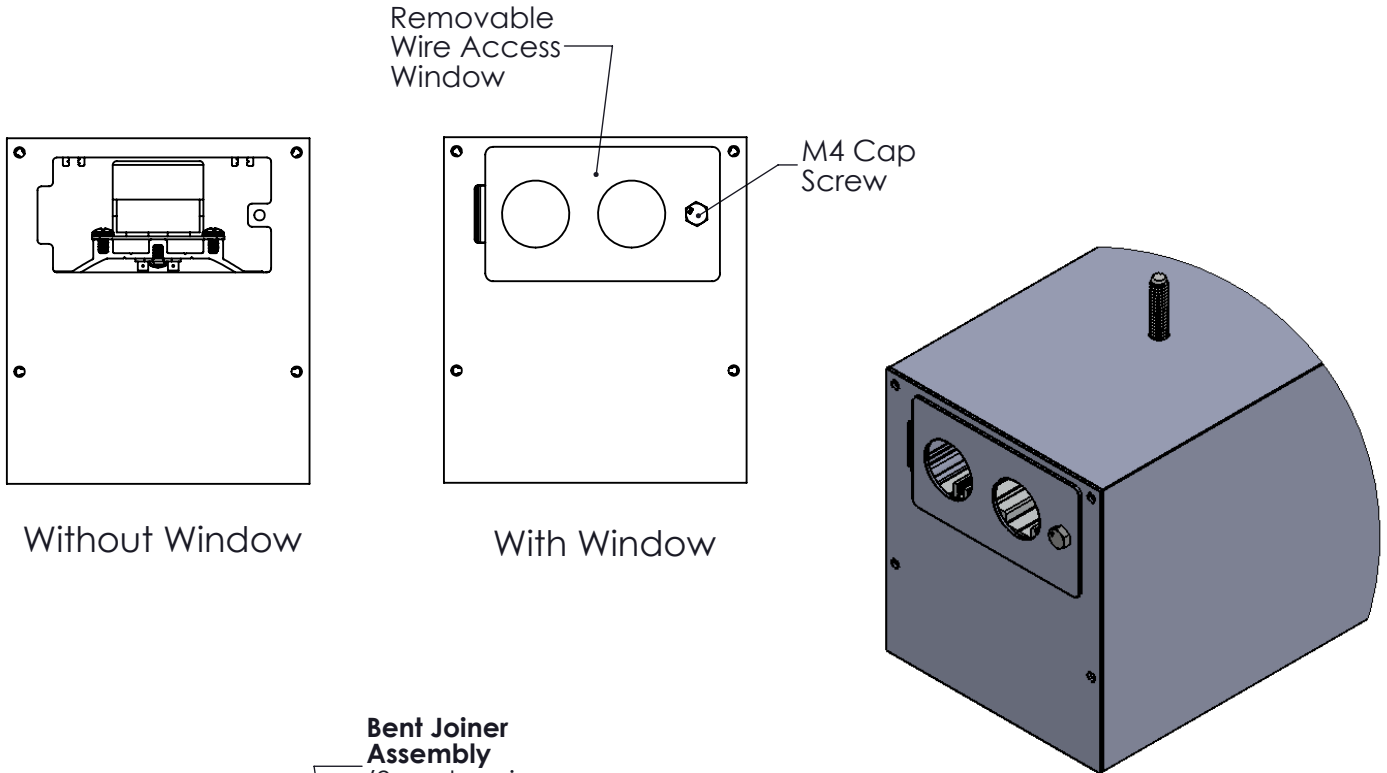
Nom. Length	OAL
2ft	23.90"
3ft	35.90"
4ft	47.90"
5ft	59.90"
6ft	71.90"
7ft	83.90"
8ft	95.90"
10ft	119.90"
12ft	143.90"



RSM100 LED

Installation Instructions RSM100LDL

Fixture Installation



*Recommended Joiner Installation

(Joiners are pre-installed in one housing/Bent Joiners are pre-assembled as shown).

- Place both housings in ceiling end to end and slide joiners across housing seam so they are joining both housings.
 - Tighten the set screws of the Bent Joiners.
 - Tighten the M4 cap screw on the bent joiners, pulling the housings together.
 - Tighten the set screws of the Straight Joiners.
- (all joiner screws use a #3 Allen Wrench)

