

SP100LDL LED

Installation Instructions SP100LDL

inter•lux

Fixture Installation

Read all of these instructions before installing fixtures.

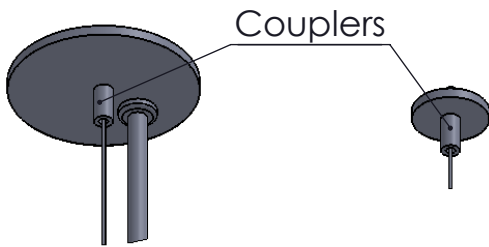
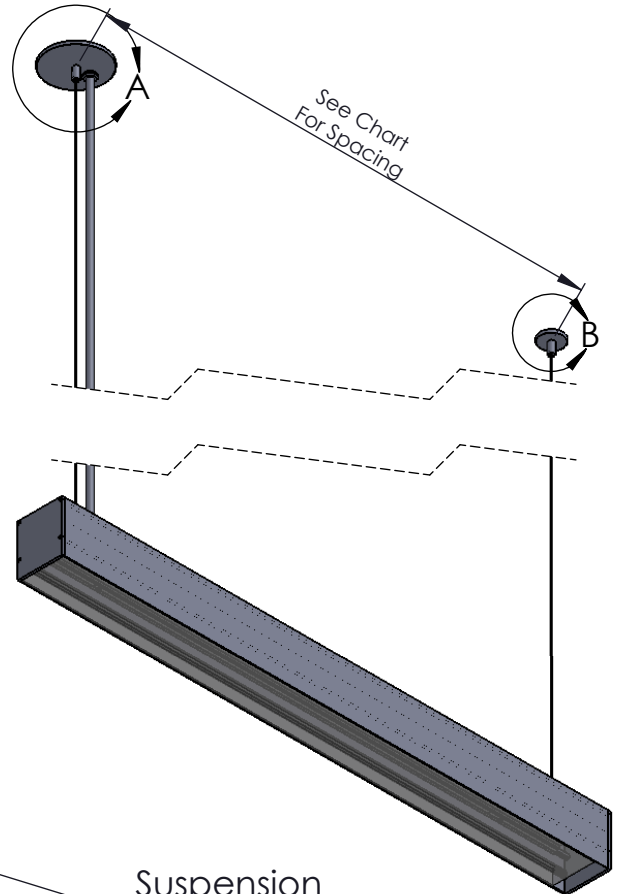
- Keep all of the instructions for future reference. - Turn off power before installing fixture. - Installation is to be performed by a qualified electrician only. - All installations are to conform to the standards of the National Electrical Code as well as all local jurisdictional codes and regulations. - Any modification of the luminaire will void any and all written or implied warranties. - Do not open the luminaire. - this will void the IP rating. - The manufacturer accepts no responsibility for damage to persons or property arising through improper use or installation.

THIS PRODUCT MUST BE INSTALLED IN ACCORDANCE WITH THE APPLICABLE INSTALLATION CODE BY A PERSON FAMILIAR WITH THE CONSTRUCTION AND OPERATION OF THE PRODUCT AND THE HAZARDS INVOLVED

Installation

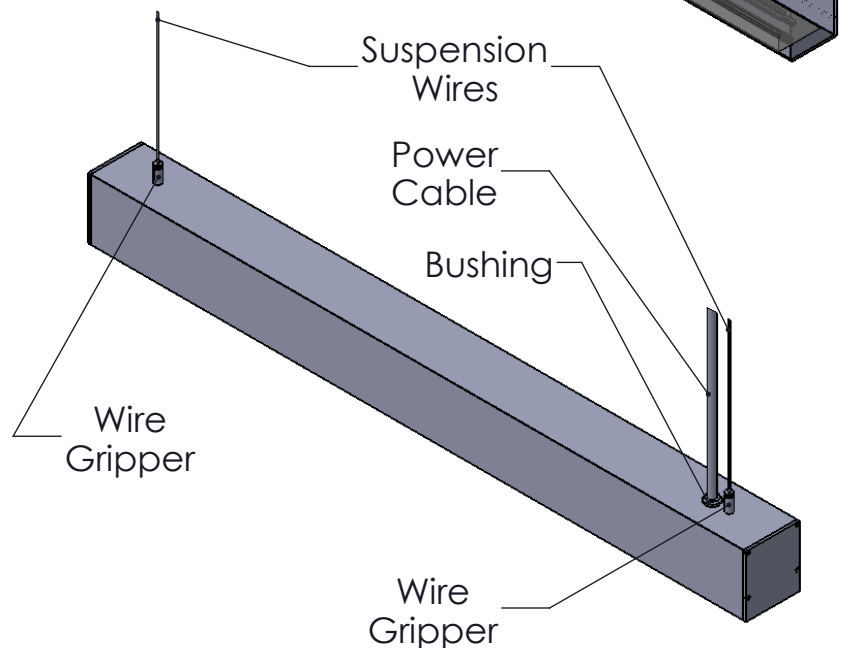
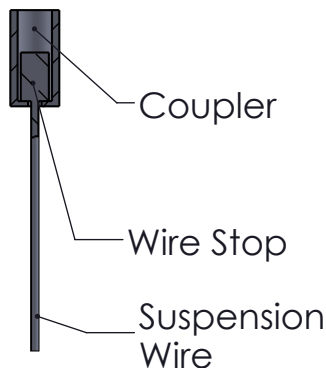
- Turn Power Off Before Installing.

- Mount 4" junction box and support rod at spacing in chart
- Feed suspension wire through coupler up to the cylinder stop.
- Attach couplers to canopies using 1/4"-20 threaded stud. (Provided). 5" canopy provided with cross bar.
- Splice Feed and attach canopy "A" to J-Box.
- Secure canopy "B" to ceiling rod.
- Attach suspension wire grippers to housing using 1/4"-20 screw
- Feed suspension wire through gripper on housing and feed power cable into housing and connect to driver.
- Raise fixture to desired height.
- Gripper will lock in place. (push gripper inlet to release suspension wire).
- Energize



A: 5" Canopy (w/ cross bar)

B: 2" Canopy



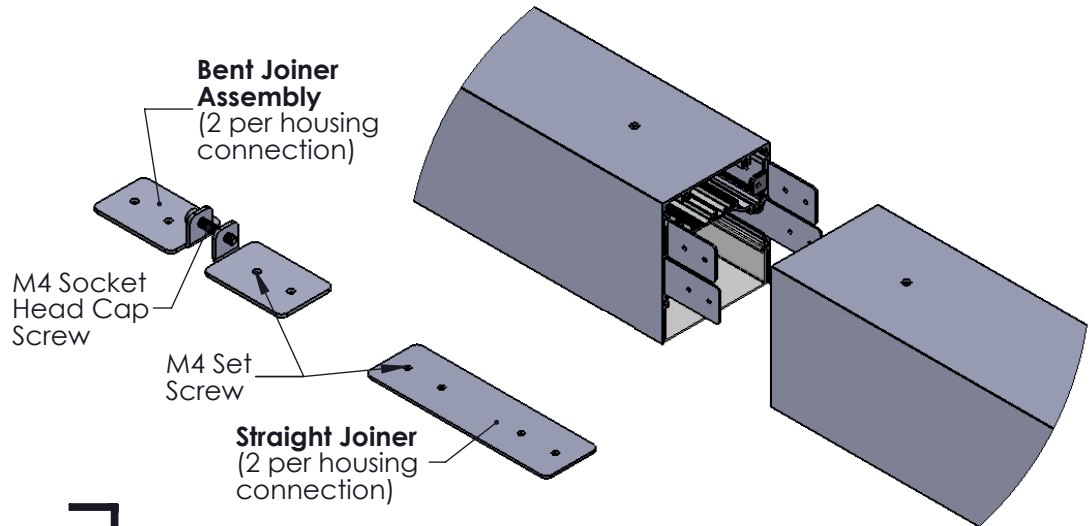
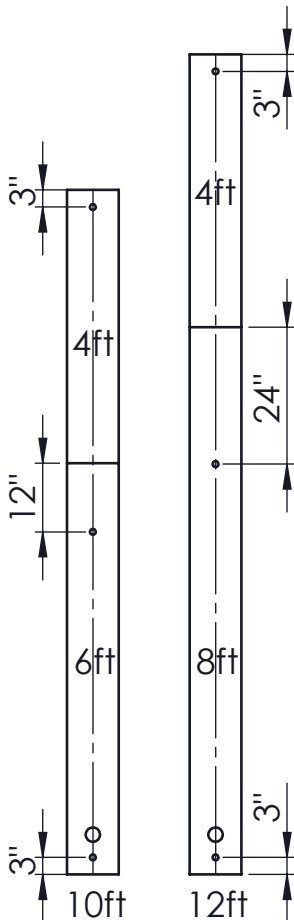
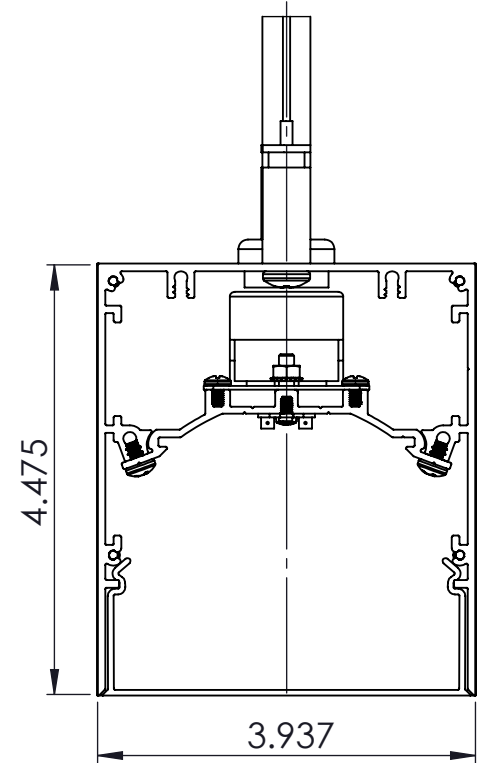
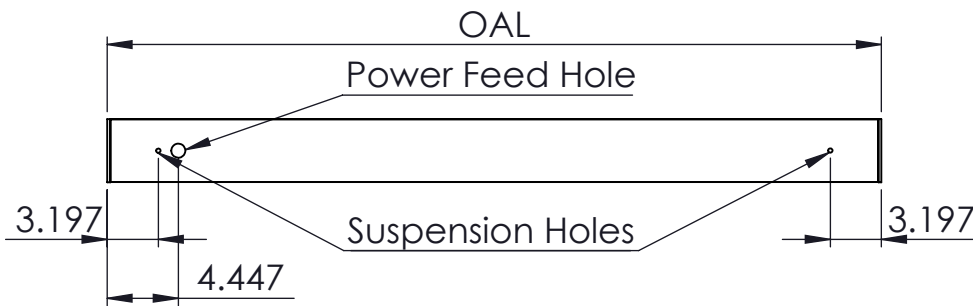
SP100LDL LED

Installation Instructions SP100LDL



Fixture Installation

Nom. Length	OAL	Suspension Spacing
2ft	24"	18"
3ft	36"	30"
4ft	48"	42"
5ft	60"	54"
6ft	72"	66"
7ft	84"	78"
8ft	96"	90"
10ft	120"	57"
12ft	144"	69"



*Recommended Joiner Installation

- (Joiners are pre-installed in one housing/Bent Joiners are pre-assembled as shown).
- Place both housings in ceiling end to end and slide joiners across housing seam so they are joining both housings.
 - Tighten the set screws of the Bent Joiners.
 - Tighten the M4 cap screw on the bent joiners, pulling the housings together.
 - Tighten the set screws of the Straight Joiners.
- (all joiner screws use a #3 Allen Wrench)