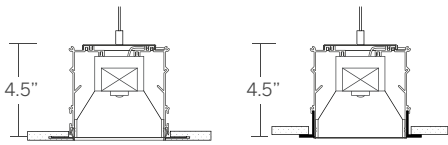


# 100 Linear LED Specifications

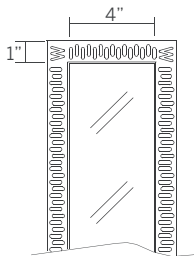


Flush Diffuser - OD / SD

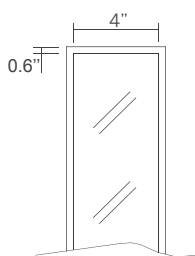


Plaster-in

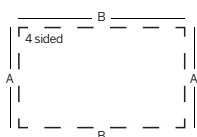
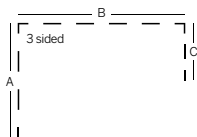
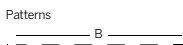
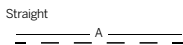
Bezel



Plaster-in



Bezel



## Ordering Information

Model	Type	Length	LED <sup>2</sup>	Color <sup>3</sup>	Voltage	Power <sup>4</sup>	Diffuser	Mount	Options
WG-P100LDL plaster-in	S P <sup>1</sup>	A A x B	L M	827 830	UNV	S D010	OD (STD)	P	WL
WG-B100LDL bezel	PZ <sup>1</sup>	A x B x C A x B x A x B	H	835 840 927 930 935 940	120	D3W DES DFPN	SD	G1 G9 GS HC	

## Luminaire

- Bezel trim or trimless 'plaster-in' for drywall ceilings and walls.
- Installation from below for remodel or new construction.
- Easily installed internal LED tray assembly with integral driver.
- High reflectance white reflector.
- Flush snap-in opal diffuser (standard).
- Powdercoat painted white - RAL 9010.

## Type

- S = Straight run
- P = Standard patterns 2, 3 or 4 sided with 90° corners on the same plane<sup>1</sup>
- PZ = Non-standard patterns and/or corners other than 90° on multiple planes, consult factory<sup>1</sup>

## Length

- A, B, C = specify feet & inches to the nearest 0.25" (i.e. 6' 5.5") For patterns specify each length (i.e. 2 sided: A x B = 6' 5" x 6'; 3 sided: A x B x C; 4 sided: A x B x A x B)

## LED<sup>2</sup>

- L = Low Power (3W/ft)
- M = Mid Power (6W/ft)
- H = High Power (10W/ft)

## Color / Lumens<sup>3</sup>

80+ CRI minimum (Low/Mid/High)

- 827 = 2700K, 237/440/695 lm/ft
- 830 = 3000K, 237/440/695 lm/ft
- 835 = 3500K, 246/458/724 lm/ft
- 840 = 4000K, 251/467/738 lm/ft
- For 90+ CRI specify 927, 930, etc

## Voltage

- UNV = 120-277V
- 120 = 120V (DFPN only)

## Power Supply<sup>4</sup>

- S = Standard driver, 120-277V
- D010 = Osram, 10%, 0-10V dimming, 120-277V
- D3W = Lutron, 1%, 3-wire fluorescent dimming, 120-277V
- DES = Lutron, 1%, EcoSystem E1/E2 digital dimming, 120-277V
- DFPN = Lutron 1% forward phase with neutral, 120V only

## Diffuser

- OD = Flush opal diffuser (standard)
- SD = Flush satin diffuser

## Mounting

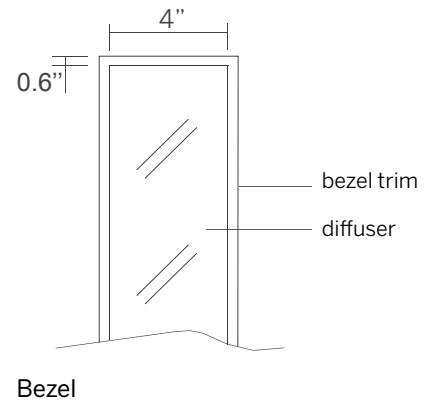
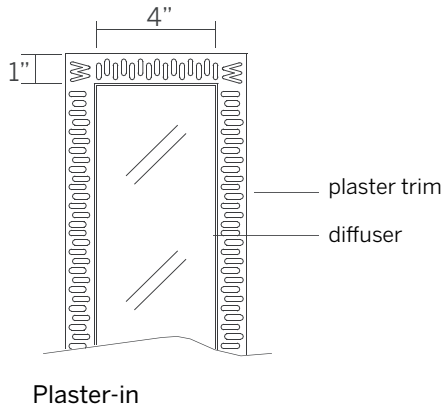
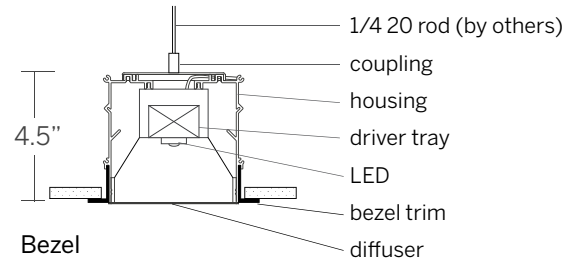
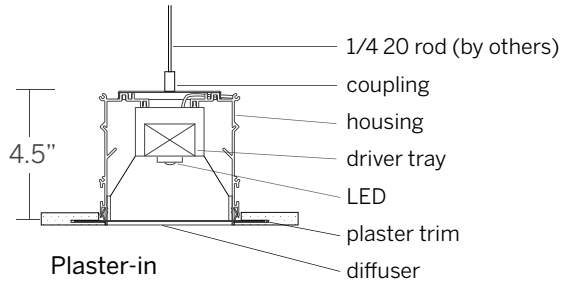
- P = Plaster-in
- G1 = 15/16" grid
- G9 = 9/16" grid
- GS = slot grid
- HC = hard ceiling

## Options

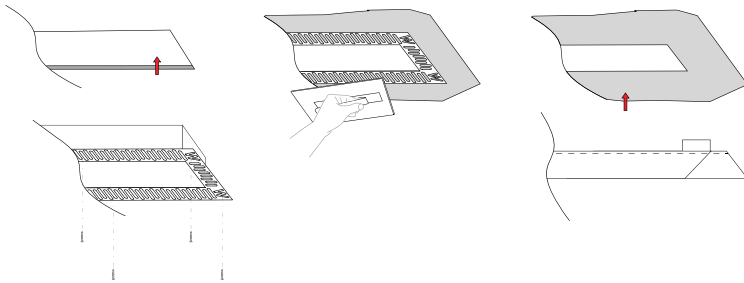
- WL = Wet location (requires recessed installation in protected canopy)
- Contact factory for emergency lighting options.

- 1 See pattern specs sheet.
- 2 Wattage shown does not include power supplies/drivers.
- 3 Delivered lumens with satin diffuser shown.
- 4 See power supply specs sheet.

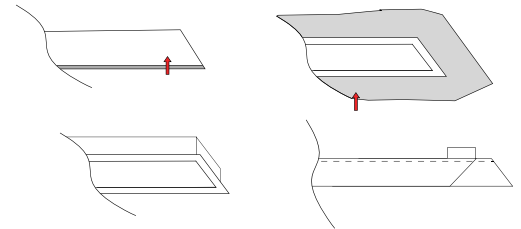
## Flush Diffuser - OD / SD



### Plaster-in instructions



### Bezel instructions



### LED tray instructions

