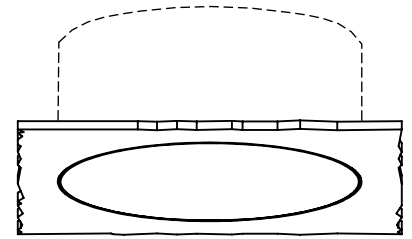
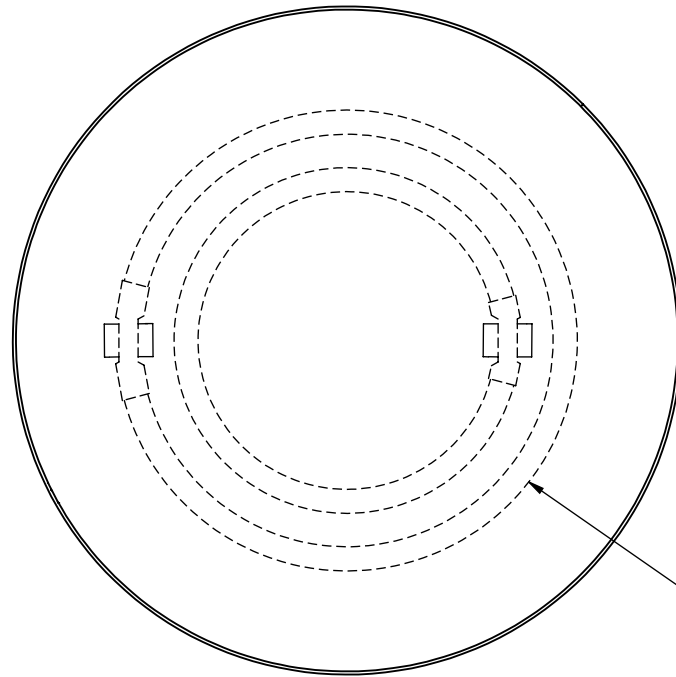


Plate P Specifications



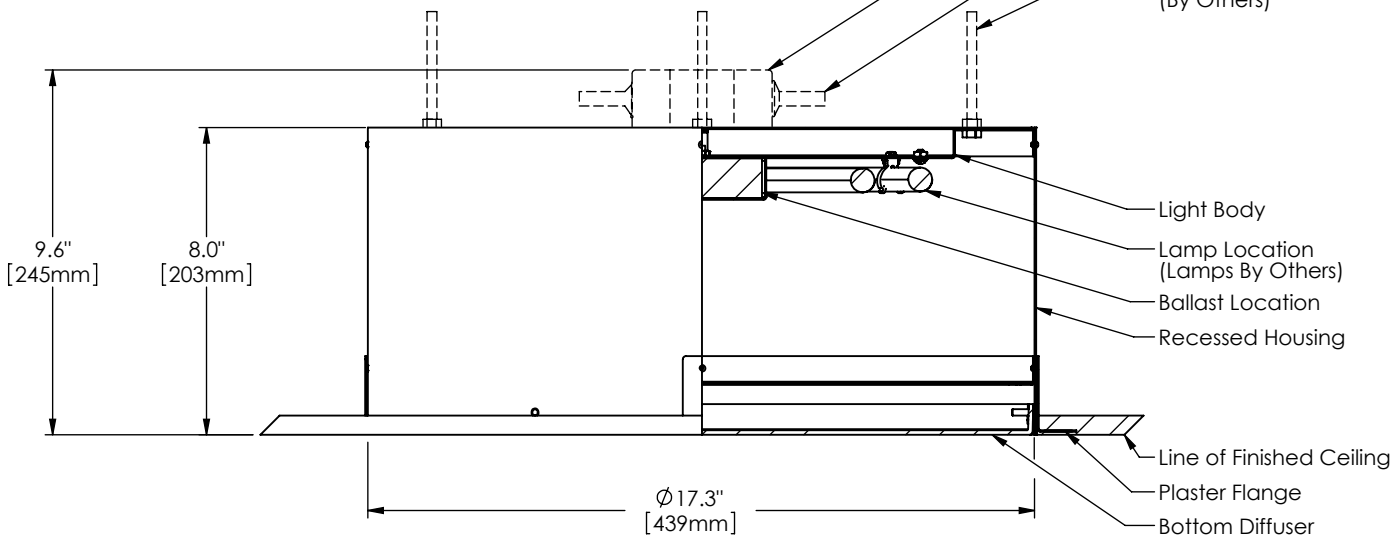
PERSPECTIVE VIEW

Lamp Location
(Lamps By Others)

4" Octagon Box (By Others)

Electrical Power Feed
(By Others)

1/4-20 Threaded Rod
To Structural Ceiling (4)
(By Others)



Light Body

Lamp Location
(Lamps By Others)

Ballast Location

Recessed Housing

Line of Finished Ceiling

Plaster Flange

Bottom Diffuser

Series	Style	Lamp	Diffuser	Finish	Dia.	Voltage	Options
1361	R		SW	21	17.3		
R - Recessed	36 - 1 x 22 + 40 Watt / 2GX13 034 - 4 x 26 Watt / GX24q-3 174 - 4 x 24 Watt / 2G11	SW - Satin White Opal Acrylic	21 - Painted White	17.3"	U - 120-277 V 1 - 120 V 2 - 220-240 V 3 - 277 V	DM - Specify Dimming Ballast Consult The Factory EM - Fluorescent Emergency, Battery - Remote Other _____	

