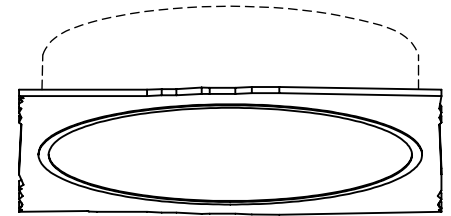
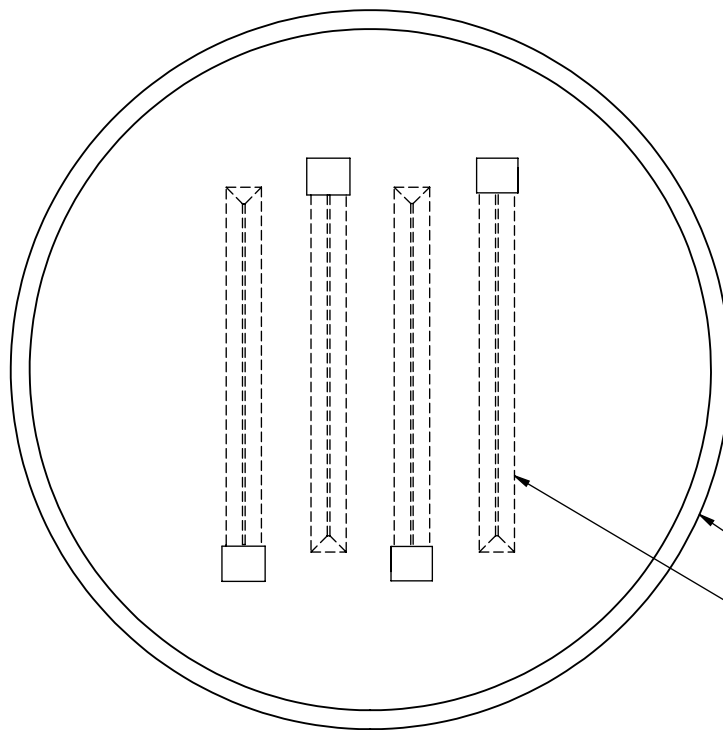
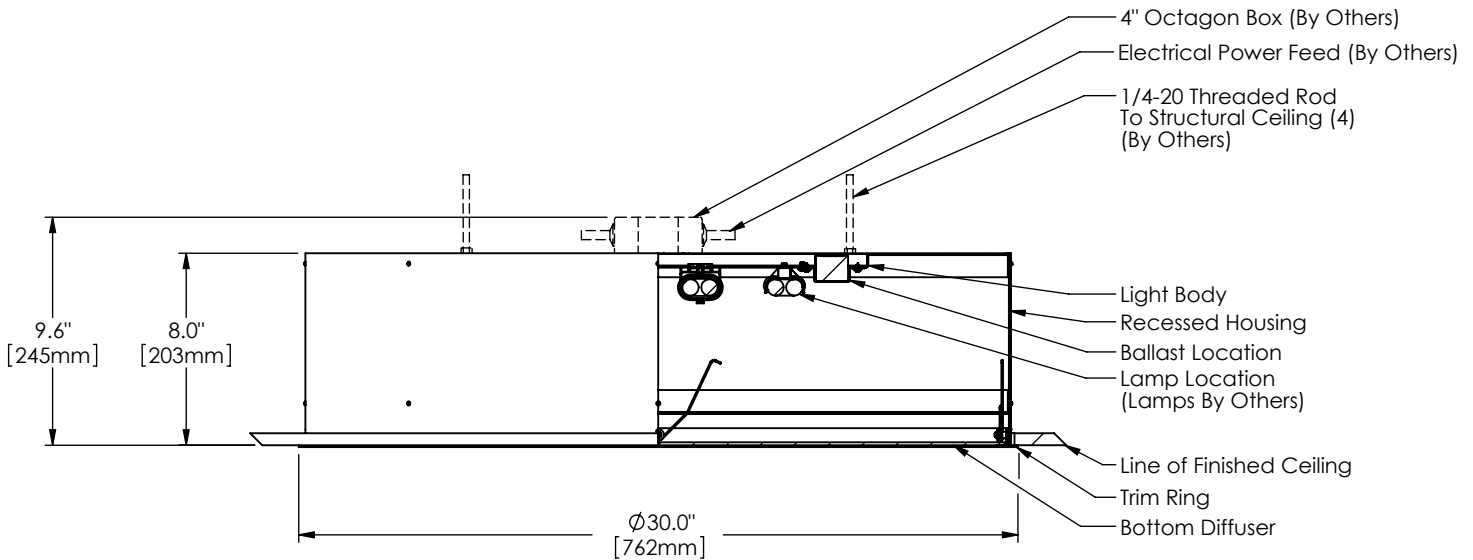


Plate T Specifications



PERSPECTIVE VIEW

Trim Ring
Lamp Location (Lamps By Others)



4" Octagon Box (By Others)
Electrical Power Feed (By Others)
1/4-20 Threaded Rod To Structural Ceiling (4) (By Others)
Light Body
Recessed Housing
Ballast Location
Lamp Location (Lamps By Others)
Line of Finished Ceiling
Trim Ring
Bottom Diffuser

9.6" [245mm]
8.0" [203mm]

Ø30.0" [762mm]

Series	Style	Lamp	Diffuser	Finish	Dia.	Voltage	Options
1360	R		SW		30		

R - Recessed
194 - 4 x 36 Watt / 2G11
203 - 3 x 40 Watt / 2G11
204 - 4 x 40 Watt / 2G11

SW - Satin White
Opal Acrylic

19 - Painted Anodized Aluminum
21 - Painted White
22 - Painted Custom Color

30"

U - 120-277 V
1 - 120 V
2 - 220-240 V
3 - 277 V

DM - Specify Dimming Ballast Consult The Factory
EM - Fluorescent Emergency, Battery - Remote
Other _____

