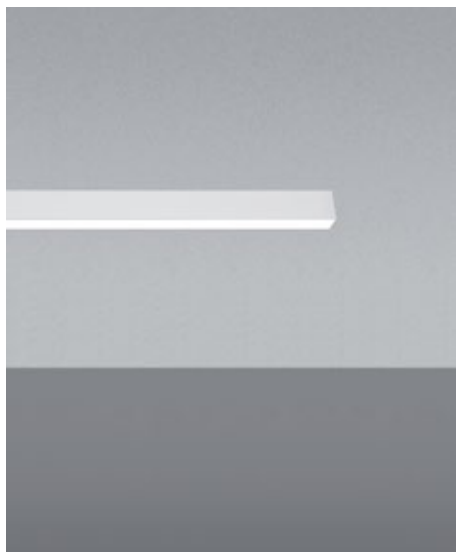


20 Linear Surface LED Specifications



Evenly illuminated linear line of light for accent as well as functional illumination of a space.

Ordering Information					
Model	Length	LED	Voltage	Power Supplies ¹	Options
WG-SM20LDL	Specify length ²	LH27 LH30 LH35 LH40	UNV 120	S standard non-dim D010 10% 0-10V D3W 1% 3-wire DES 1% EcoSystem DFPN 1% forward phase	WL wet location C10 10' cable C20 20' cable C30 30' cable

Luminaire

- Surface ceiling mount.
- Solid ceilings or ceilings with little or no recess depth.
- Snap-in flush opal polycarbonate diffuser.
- Powdercoat painted white - RAL 9010.
- Specify remote power supply.
- 48" class 2 plenum rated cable, standard.
- Suitable for damp indoor and wet locations outdoor under canopy.

Length

- Specify feet & inches to the nearest 1/4".
e.g. 8'-0", 8'-1 1/4".²

LED high power, > 85CRI, (7.2w/ft fixture)

- LH27 = 2700K, 547 lm/ft
- LH30 = 3000K, 588 lm/ft
- LH35 = 3500K, 606 lm/ft
- LH40 = 4000K, 629 lm/ft

Voltage

- UNV = 120-277V
- 120 = 120V

Power Supply¹

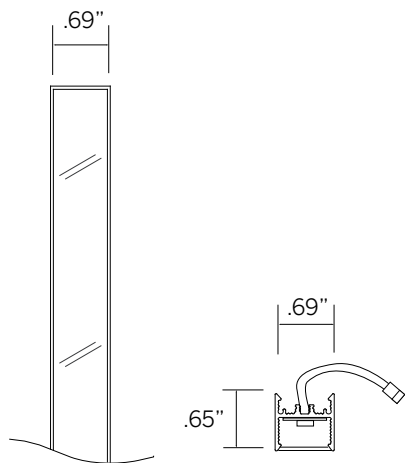
- S = standard non-dim driver 120-277V
- D010 = Osram, 10%, 0-10V dimming, 120-277V
- D3W = Lutron, 1%, 3-wire fluorescent dimming, 120-277V
- DES = Lutron, 1%, EcoSystem E1/E2 digital dimming, 120-277V
- DFPN = Lutron 1% forward phase with neutral, 120V only

Options

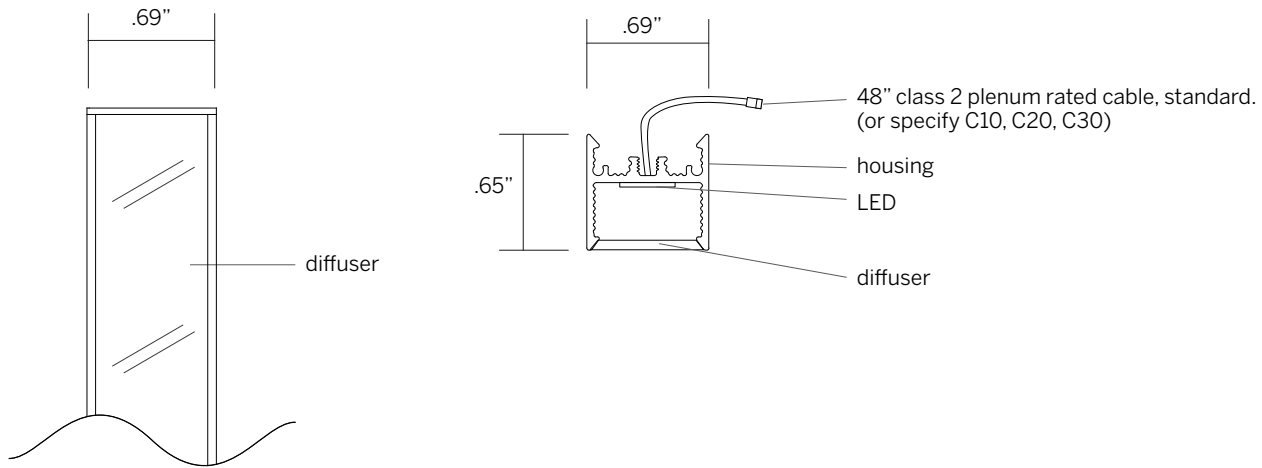
- WL = wet location
- C10 = 10' tray cable (plenum rated)
- C20 = 20' tray cable (plenum rated)
- C30 = 30' tray cable (plenum rated)

¹See power supply pages for details.

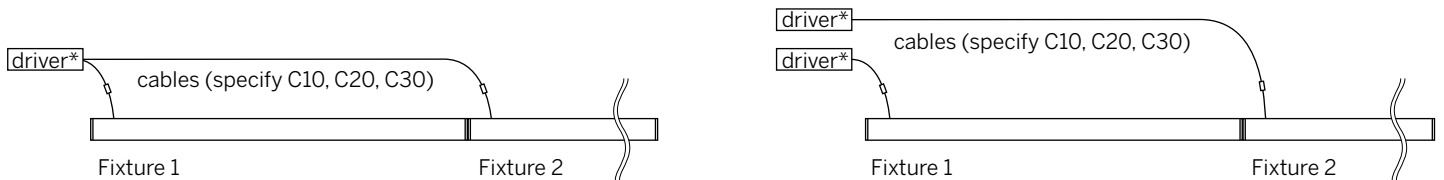
²Specify feet & inches to the nearest 1/4".
e.g. 8'-0", 8'-1 1/2"



20 Linear Surface LED Dimensions

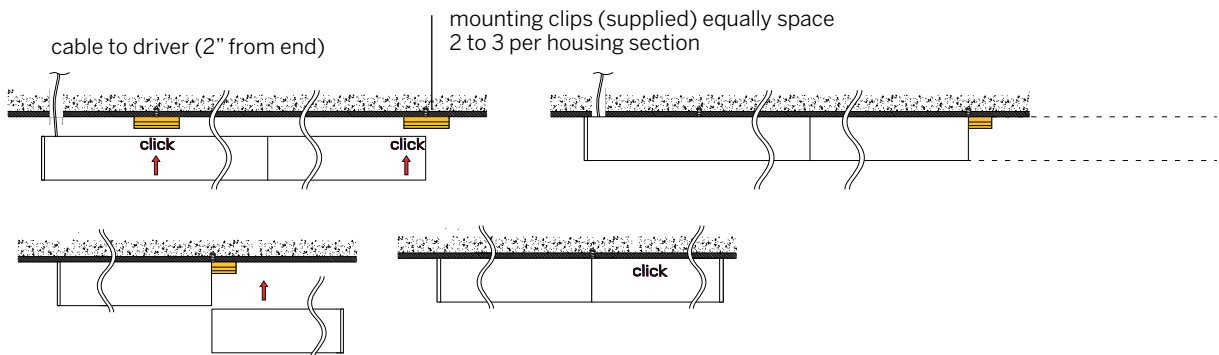


Continuous runs

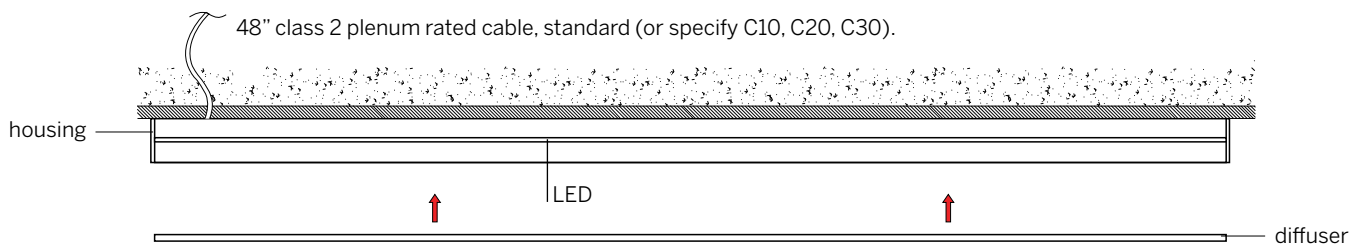


**Number of drivers determined by load and type*

Instructions



Diffuser installation

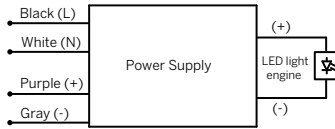


20 Linear Surface LED Power Supplies

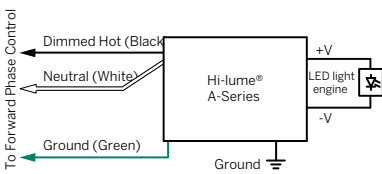
S (Standard non-dim)



D010 (Osram 0-10V)

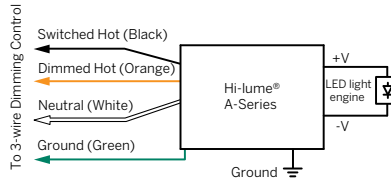


DFPN (1% Lutron forward phase with neutral)

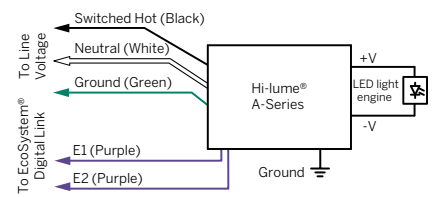


Note: Colors shown correspond to terminal blocks on driver.

D3W (Lutron 1%, 3-wire)

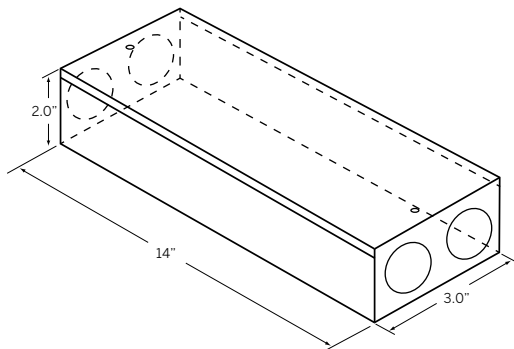


DES (Lutron 1% EcoSystem® digital)



Note: Colors shown correspond to terminal blocks on driver.

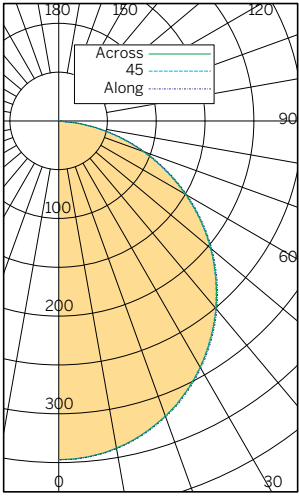
Standard enclosure supplied with drivers shown above.



Maximum wiring distance*

Wire gauge	Load per driver			
	Osram		Lutron	
	≤48W	≤72W	≤96W	≤40W
#18AWG	37'	25'	18'	15'
#16AWG	59'	39'	29'	25'
#14AWG	95'	63'	47'	40'
#12AWG	151'	101'	75'	60'
#10AWG	241'	160'	120'	—

*Voltage drop guide for 24VDC. Actual Voltage drop to be calculated by installer



Test Number: 158281 (IES LM-79-2008)
 Catalog Number: WG-SM20LDL-3FT-LH30-UNV-WD
 Luminaire Description: 24V, 2700K, white LED
 EFFICACY (LUMENS PER WATT): 42.9
 S/MH: 1.2

Zonal Lumens and Percentages

Zone	Lumens	% Luminaire
0-30	268	27.39
0-40	437	44.69
0-60	770	78.67
0-90	979	100.00
40-90	541	55.31
60-90	209	21.33
90-180	0	0.00
0-180	979	100.00

Intensity (Candlepower) Summary

Angle	Along	22.5	45	67.5	Across
0	348	348	348	348	348
5	345	346	346	346	346
10	340	341	341	341	341
15	331	333	332	332	333
20	320	321	321	321	322
25	306	307	307	307	307
30	289	290	290	290	291
35	270	272	271	272	272
40	249	250	250	250	251
45	226	228	227	227	227
50	202	203	203	203	203
55	175	177	177	177	177
60	148	149	149	150	151
65	120	121	122	123	123
70	91	92	94	95	96
75	62	64	66	68	69
80	35	37	40	42	43
85	13	14	17	18	19
90	0	0	0	0	0