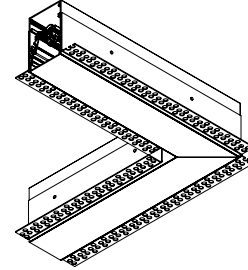
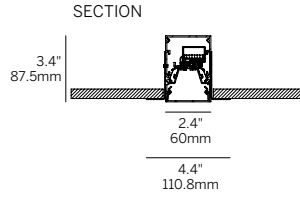
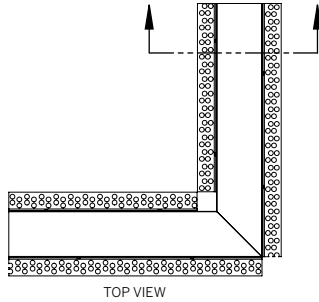


60 Linear Recessed

PLASTER TRIM

PATTERN CORNER (P)

WG-60LDL-RPT-P

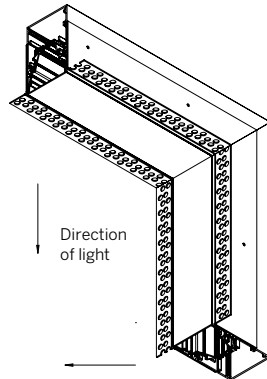
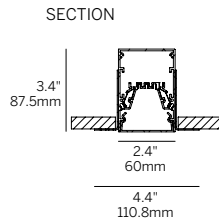
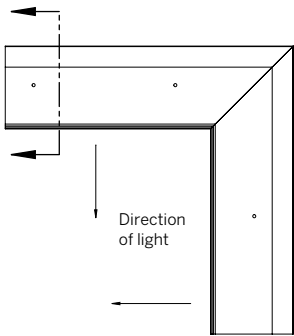


Mitered + Welded Housing
Mitered + Butted Lens

Minimum Angle 45°
Maximum Angle 180°

PLANE TO PLANE INSIDE CORNER (PPI)

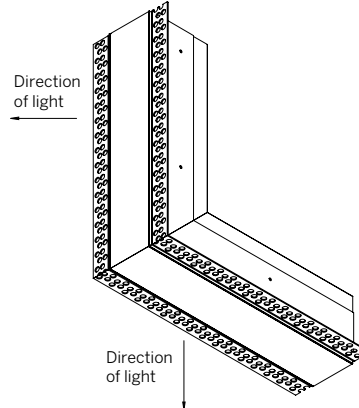
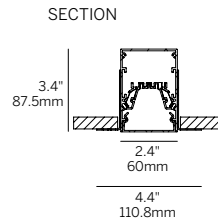
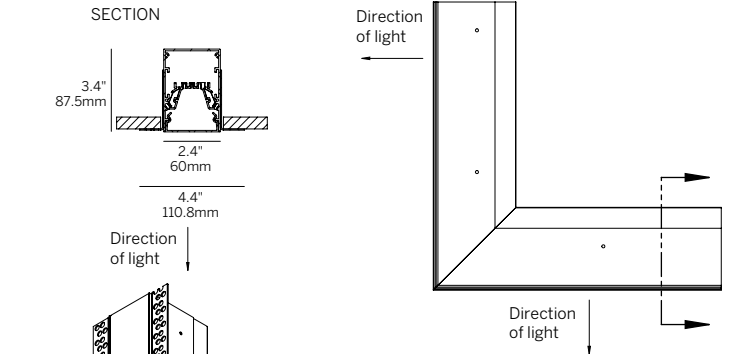
WG-60LDL-RPT-PPI



Mitered + Welded Housing
Mitered + Butted Lens

PLANE TO PLANE OUTSIDE CORNER (PPO)

WG-60LDL-RPT-PPO



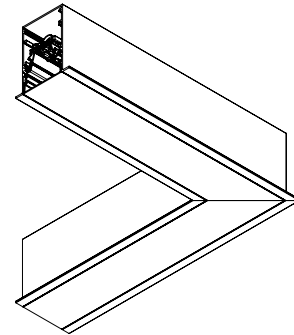
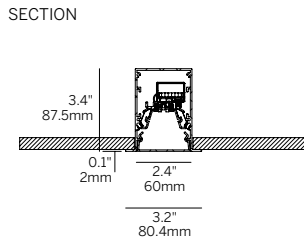
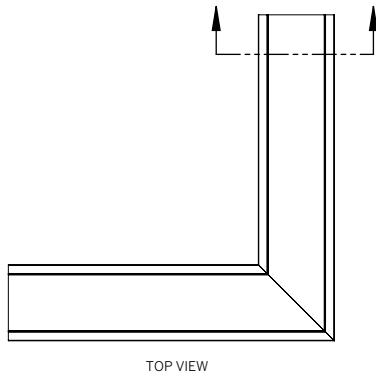
Mitered + Welded Housing
Mitered + Butted Lens

60 Linear Recessed

BEZEL TRIM / GRID TRIM

PATTERN CORNER (P)

WG-60LDL-[RBT / RGTX]-P

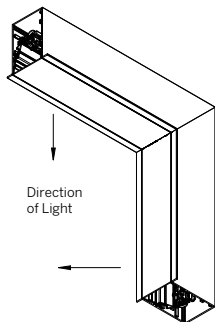
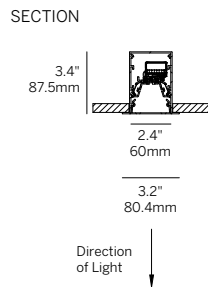
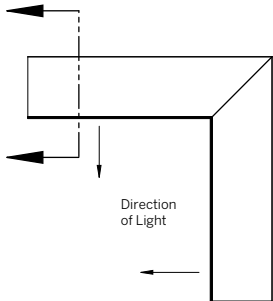


Mitered + Welded Housing
Mitered + Butted Lens

Minimum Angle 45°
Maximum Angle 180°

PLANE TO PLANE INSIDE CORNER (PPI)

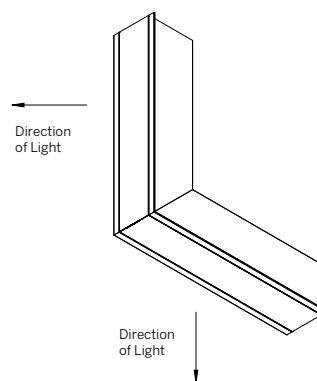
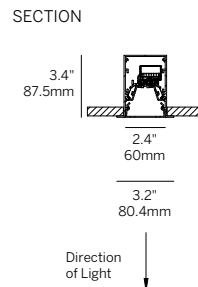
WG-60LDL-RBT-PPI



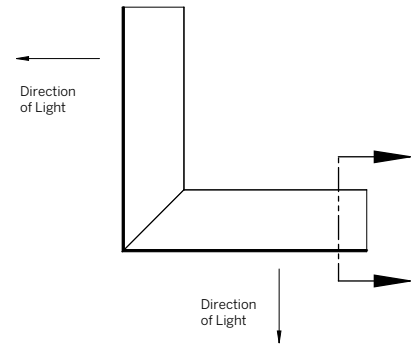
Mitered + Welded Housing
Mitered + Butted Lens

PLANE TO PLANE OUTSIDE CORNER (PPO)

WG-60LDL-RBT-PPO



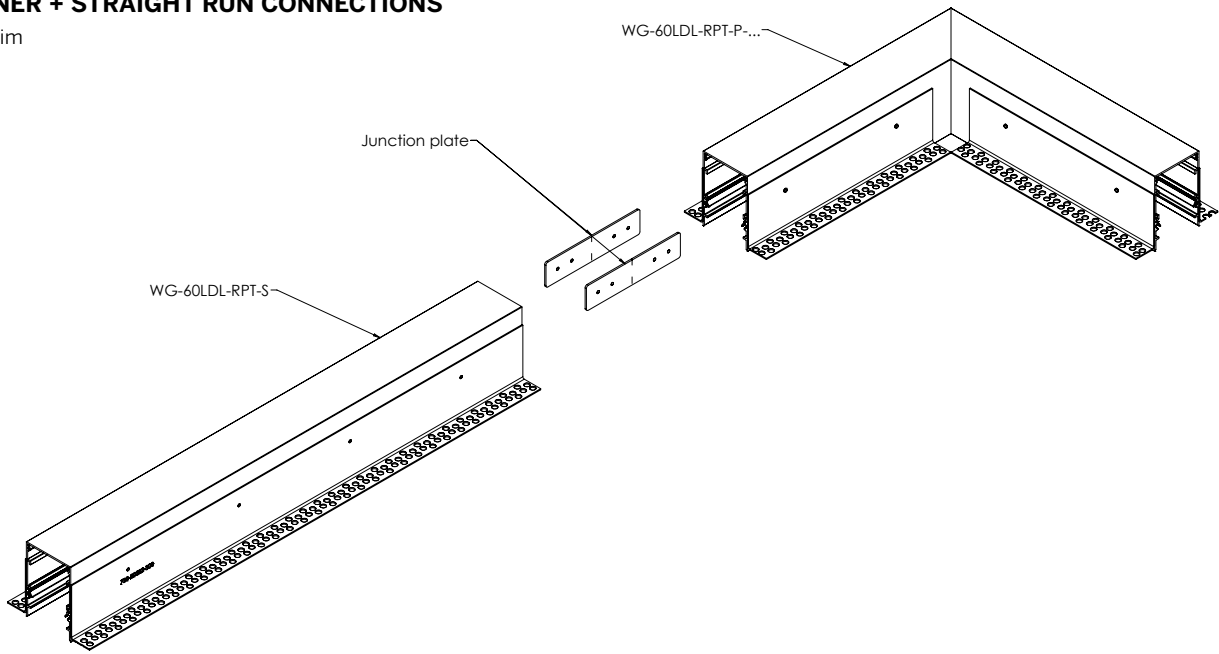
Mitered + Welded Housing
Mitered + Butted Lens



60 Linear Recessed

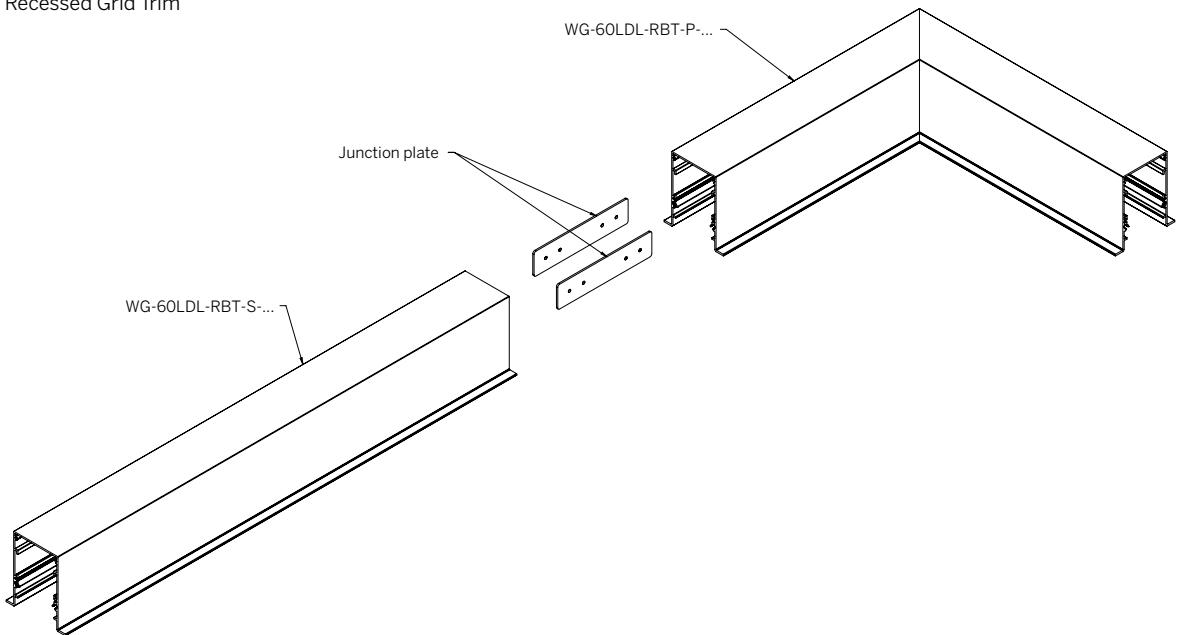
PLASTER CORNER + STRAIGHT RUN CONNECTIONS

Recessed Plaster Trim



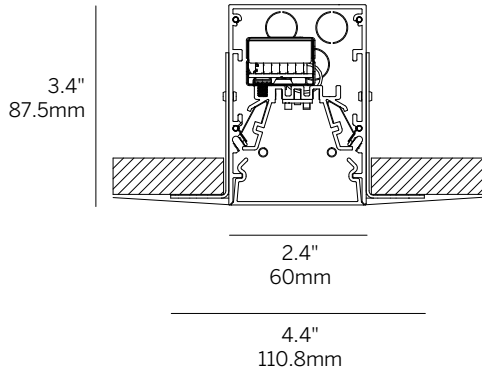
BEZEL CORNER + STRAIGHT RUN CONNECTIONS

Recessed Bezel Trim + Recessed Grid Trim

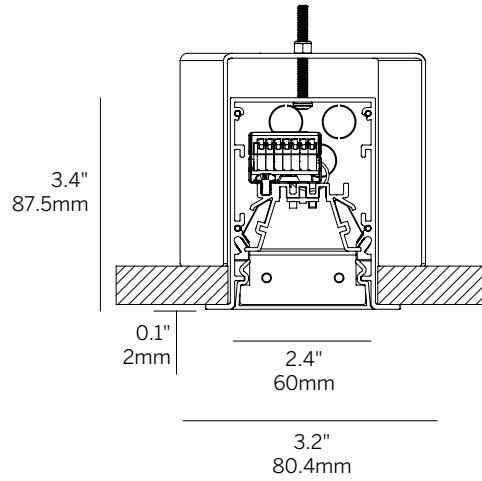


60 Linear Recessed

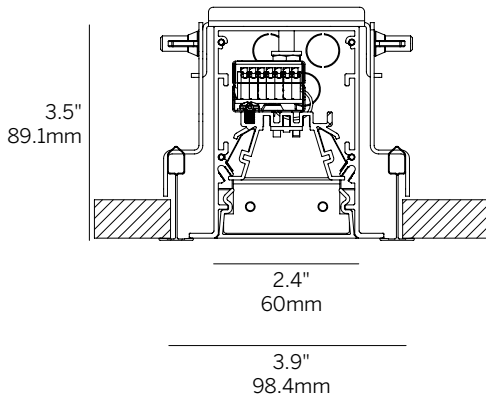
PROFILE DIMENSIONS



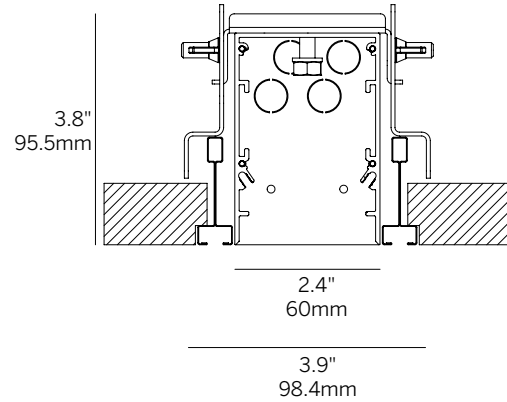
Recessed Plaster Trim
(RPT)



Recessed Bezel Trim
(RBT)



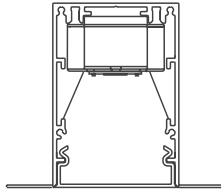
Recessed Grid Trim
9/16 (RGT9) / 15/16 (RGT15)



Recessed Trim for Slot Grid
(RGTS)

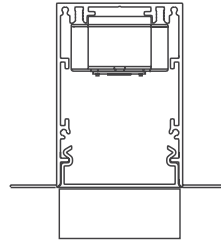
60 Linear Recessed

LENS DIMENSIONS



2.4"
60mm

LDL-RPT



2.4"
60mm

1"
25mm

LDL-RPT...DD