

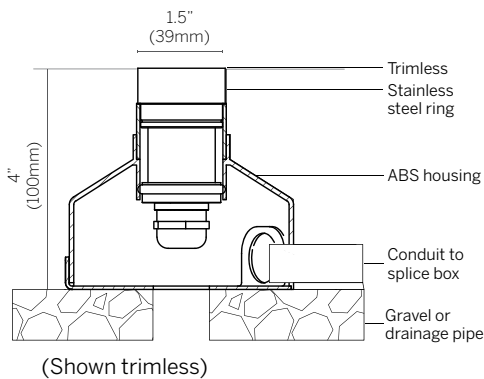
# RD35 Deco Specifications



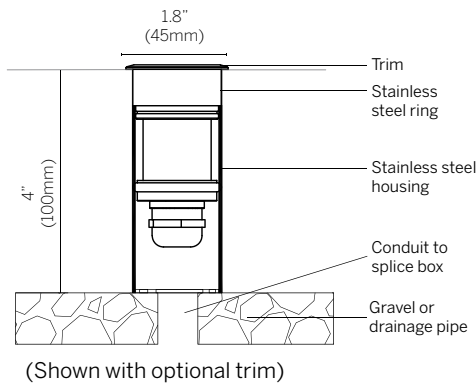
| Ordering Information <sup>1</sup> |        |                      |                |         |                      |                |
|-----------------------------------|--------|----------------------|----------------|---------|----------------------|----------------|
| Model                             | Power  | Color                | Optics         | Voltage | Options              | Housing        |
| F RDD35                           |        |                      |                | 24      |                      |                |
| F RDD35                           | L<br>H | 27<br>30<br>35<br>40 | SP<br>FL<br>GR | 24      | TR<br>C1<br>C2<br>C3 | RD35C<br>RD35T |

<sup>1</sup>Specify remote power supply separately below.

## Concrete Housing (driveover)



## Tile Housing (driveover)



### Luminaire

- Trimless for seamless integration into grade; optional stainless steel trim
- Snap in installation with no exposed hardware
- Sustainable design with replaceable LED module
- Regressed LED for glare reduction
- IP67, UL STD 1598, wet location; Pedestrian driveover rated 3000 lb
- Stainless steel, ABS and aluminum construction with clear tempered glass
- 1' (0.3m) feed cable standard

### Size

- 1.5"ø (39mm) x 4" H (100mm) trimless
- 1.8"ø (45mm) x 4" H (100mm) with trim

### Power

- L = 1W, 3000K, 95 lm
- H = 3W, 3000K, 285 lm<sup>2</sup>

### Color Temperature

- 27 = 2700K
- 30 = 3000K
- 35 = 3500K
- 40 = 4000K
- 2 Step MacAdam
- CRI: > 85

### Optics

- SP = Spot - 11°
- FL = Flood - 41°
- GR = Graze - 13° x 41°

### Voltage

- 24 = 24VDC fixture voltage (remote driver required)

### Options

- TR = stainless steel 304 trim, size: 0.1" (3mm)
- C1 = 10' (3m) feed cable
- C2 = 20' (6m) feed cable
- C3 = 30' (9m) feed cable

### Housing

- RD35C = concrete
- RD35T = tile

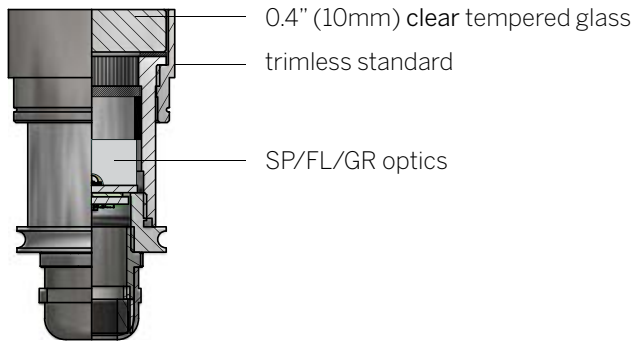
### Power Supply<sup>2</sup> (Remote)

- D-520-24006: Osram 10% 0-10V dimming, 96W, 24VDC, 120-277VAC

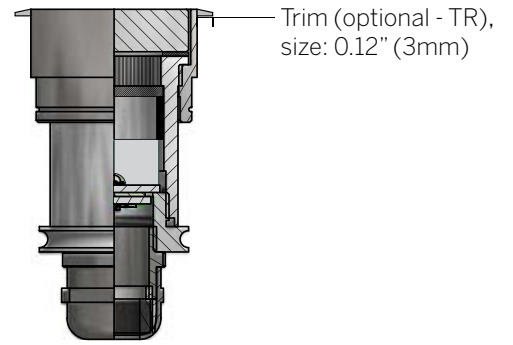
<sup>2</sup>See power supply pages for details. No enclosure, unless stated. lm80 values shown.

# RD35 Deco Dimensions

Optics Accessories



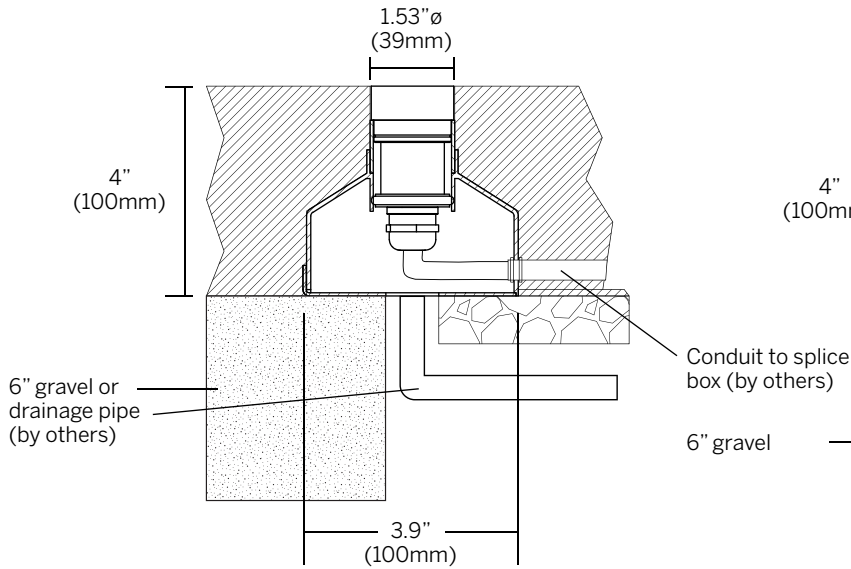
Trimless  
(standard)



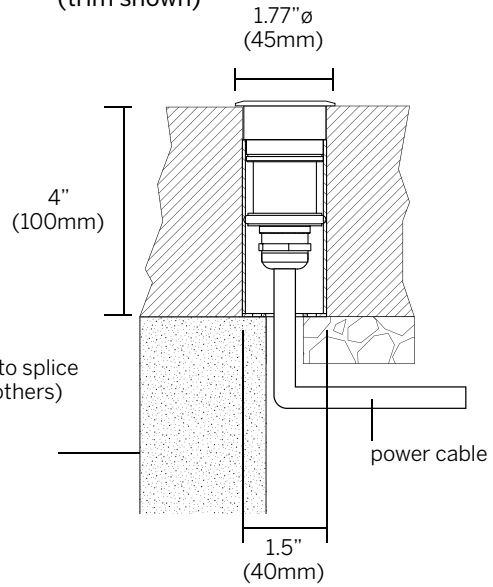
Trim  
(optional - TR)

Floor/Wall - Tiles

Concrete Installation Housing (RD35C)  
(trimless shown)



Tiles/Wood Installation housing (RD35T)  
(trim shown)



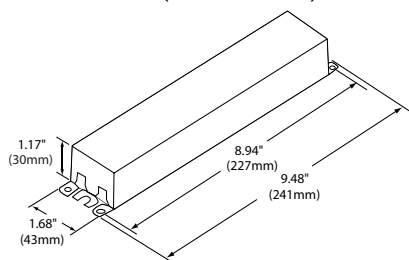
## Single Color Drivers

| Qty. | Part Number | Description     | Case | Nominal Input Voltage (V) | Nominal Input Current (A) | Power Factor | Output Power Range (W) | Dimming Mode | Dimming Control | Dimming Range | Location Rating |
|------|-------------|-----------------|------|---------------------------|---------------------------|--------------|------------------------|--------------|-----------------|---------------|-----------------|
|      | D-520-24006 | Osram 0-10V dim | 1    | 120<br>277                | 0.97<br>0.39              | 0.9          | 1-96                   | PWM          | 0-10V           | 10 -100%      | Damp            |

Although it is possible to exceed the remote mounting distance, the installer and/or end user must take precautions to prevent and/or test the effects of EMI (electromagnetic interference). Maximum recommended load is 80% of driver rating.

### Case dimensions

#### Case 1 (no enclosure)



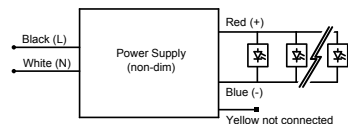
#### Maximum wiring distance\*

| Wire gauge | Load per driver |      |
|------------|-----------------|------|
|            | Osram           |      |
|            | ≤48W            | ≤72W |
| #18AWG     | 37'             | 25'  |
| #16AWG     | 59'             | 39'  |
| #14AWG     | 95'             | 63'  |
| #12AWG     | 151'            | 101' |
| #10AWG     | 241'            | 160' |

\*Voltage drop guide for 24VDC. Actual Voltage drop to be calculated by installer

### Wiring diagrams

#### 96W Non-Dim



#### 96W Dim

