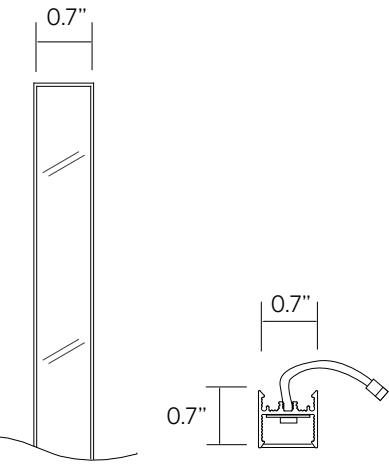
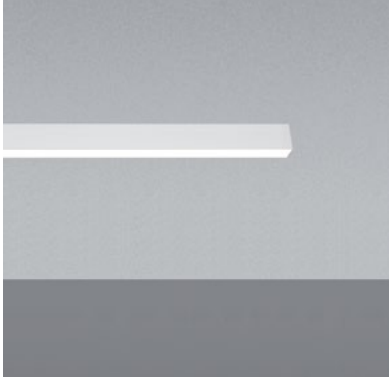


20 Linear Surface Straight Run Submittal

Project Name _____ SO # _____

Fixture Type _____ PO# _____



Ordering Information

Model	Fixation	Pattern	Length	Power ¹	CRI/CCT ²	Driver ³	Lens	Finish	Cable
WG-20LDL-SM									
WG-20LDL-SM	GT9 GT15 MM SC A90 A180	S	A A x B A x B x C A x B x A x B	L M	927 930 935 940	X S D010 L3DAE L3DOE DFPN	OD (std) SD	W (std) B G F	C4 (std) C10 C20 C30

Luminaire

- Continuous, evenly illuminated snap-in lens without visible LED pattern.
- Standard Opal Diffuser for even illumination and no LED appearance. Satin Diffuser for high efficiency and minimal LED appearance.
- Field replaceable LED boards.
- 90+ CRI, 3 steps MacAdam.
- Lengths and angles factory cut to exact field dimensions.
- Standard and custom corners.
- Powder coat painted white - RAL 9010.
- 4' class 2 plenum rated feed cable standard (Options – "C4").

Fixation

- GT9 = 9/16" T-bar grid clip
- GT15 = 15/16" T-bar grid clip
- MM = Magnet mounting
- SC = Screw clip
- A90 = Adjustable 90° bracket
- A180 = Adjustable 180° bracket

Pattern

- S = Straight run
- P = Standard patterns 2, 3 or 4 sided with 90° corners on the same plane¹
- PZ = Non-standard patterns and/or corners other than 90° on multiple planes, consult factory¹

Length

- A, B, C = specify inches to the nearest 0.25" (i.e. 72"). For patterns specify each length (i.e. 2 sided: A x B = 72" x 48"; 3 sided: A x B x C; 4 sided: A x B x A x B).

Power¹

- L = 3.2W/ft low power (24V)
- M = 6.4W/ft mid power (24V)

- See pattern spec sheet.
- Wattage shown does not include power supplies/drivers.
- Delivered lumens with satin opal diffuser shown.
- Remote power supply required. See power supply page for details.

CRI/CCT²

- 90+ CRI (low/mid power)
- 927 = 2700K (243/450 lm/ft)
- 930 = 3000K, (251/464 lm/ft)
- 935 = 3500K, (256/474 lm/ft)
- 940 = 4000K, (259/478 lm/ft)

Driver (remote)³

- X = No driver, ordered separately
- S = Standard driver 120-277V
- D010 = Osram, 10%, 0-10V dimming, 120-277V
- L3DAE = Lutron Hi-lume 1% EcoSystem, 120-277V
- L3DOE = Lutron Hi-lume Premier 0.1% EcoSystem, 120-277V
- DFPN = Lutron Forward Phase 1%, 120VAC

Lens

- OD = Satin opal diffuser (standard)
- SD = Satin clear diffuser (high efficiency)

Finish

- W = White, 20% gloss, RAL9010 (standard)
- B = Black, 20% gloss
- G = Gray, 20% gloss
- F = Custom finished trim, specify RAL

Cable

- C4 = 4' tray cable (plenum rated) (standard)
- C10 = 10' tray cable (plenum rated)
- C20 = 20' tray cable (plenum rated)
- C30 = 30' tray cable (plenum rated)

Emergency

- Emergency LED driver available, order separately.

Customer Approval	
<input type="checkbox"/> Approved	Company _____
<input type="checkbox"/> Approved with corrections noted	Signature _____
<input type="checkbox"/> Revise and Resubmit	Print Name _____
	Date _____

Original Date Submitted _____

20 Linear Surface

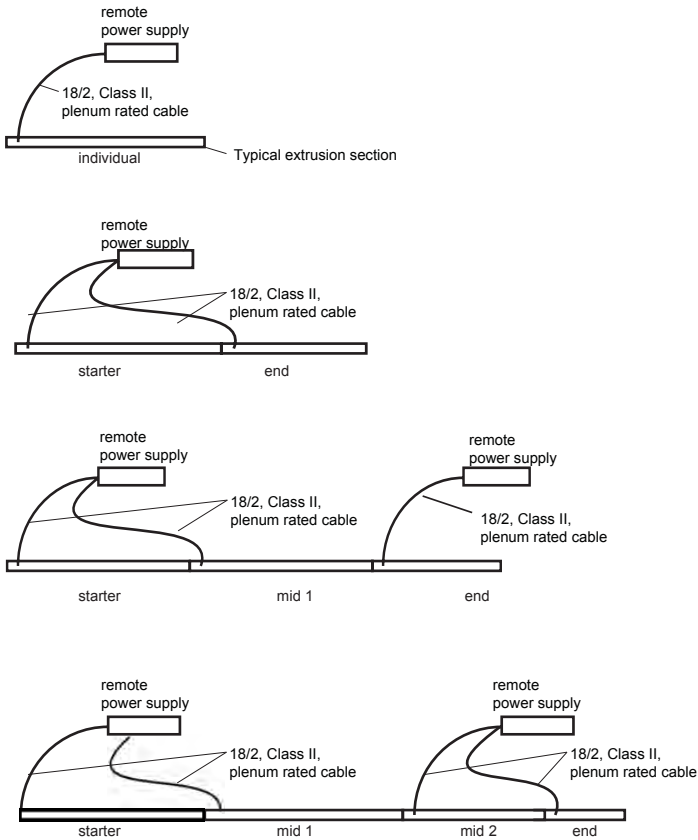
Submittal - Straight Run

inter•lux

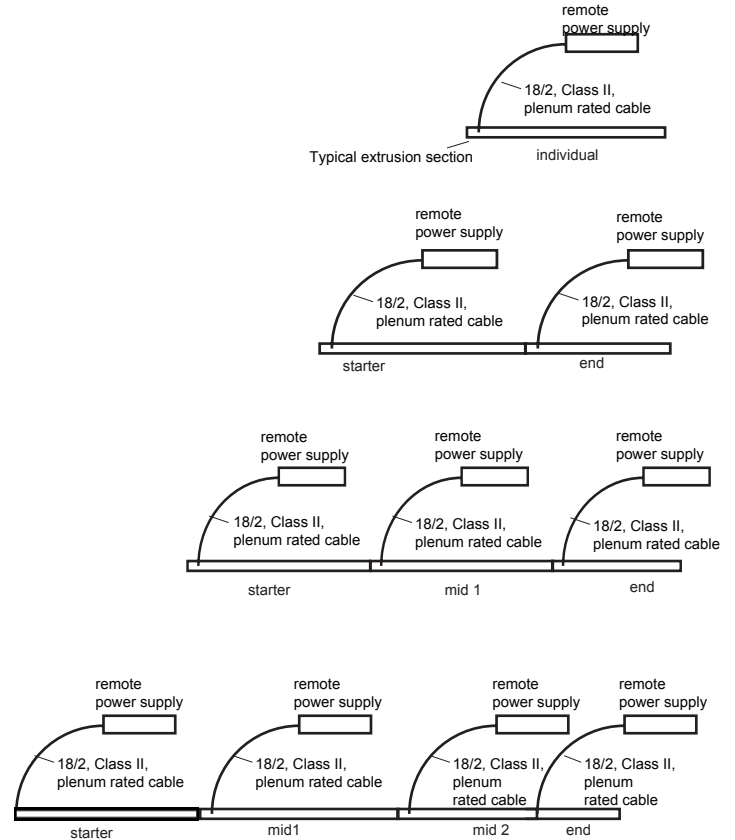
Project Name _____ SO # _____

Fixture Type _____ PO# _____

Typical 96W Driver System Layout



Typical 40W Driver System Layout



Non-Dimming (S), 0-10v (D010), and 0.1% Lutron Ecosystem (L3D0E) Dimming Systems:

1. 96.25" maximum fixture length.
2. 96W, 24V, constant voltage power supply (12 linear feet of fixture / driver max at 6.4w/ft, 24 linear feet of fixture / driver max at 3.2w/ft)

1% Lutron Ecosystem (L3DAE) and 1% Phase Forward (DFPN) Dimming Systems:

1. 72" maximum fixture length at 6 W/ft, 96" maximum fixture length at 3 W/ft.
2. 40W, 24V, constant voltage power supply (6 linear feet of fixture / driver max at 6.4w/ft, 12 linear feet of fixture / driver max at 3.2w/ft)

General Notes for all system types:

1. End caps supplied in kits to be field installed at the end of each fixture.
2. Starters and Mid 1 extrusion sections are supplied with maximum lengths for long linear systems.
3. End extrusion sections have custom tailored length between 23.8" - 96.25" to obtain the overall system length.
4. When an End is calculated to be less than 23.8", a Mid 2 extrusion added to the system to split the length into manageable sizes.
5. Class II, plenum rated cable supplied hardwired to extrusion section, 4 ft length standard. Longer lengths available (specify when ordering)

20 Linear Surface

Submittal - Straight Run

Project Name _____ SO # _____

Fixture Type _____ PO# _____

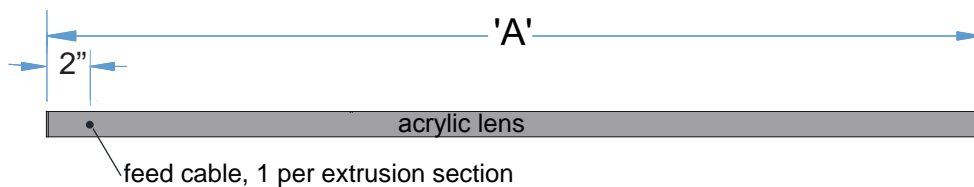
System	Qty.	'A'	Approximate Driver QTY
1	_____	_____	_____
2	_____	_____	_____
3	_____	_____	_____
4	_____	_____	_____
5	_____	_____	_____
6	_____	_____	_____
7	_____	_____	_____
8	_____	_____	_____
9	_____	_____	_____
10	_____	_____	_____
11	_____	_____	_____
12	_____	_____	_____
13	_____	_____	_____
14	_____	_____	_____
15	_____	_____	_____

Customer Approval Company _____

Approved Signature _____

Approved with corrections noted Print Name _____

Revise and Resubmit Date _____



Note:
 Power feed is required for each extrusion section.
 Refer to page 2 for wiring diagrams and additional information to layout a typical linear system.

Note:
 Generic fixture layout shown here only to confirm pattern, length, and provide general feed location information. Full BOM to be provided on future Record Drawings.