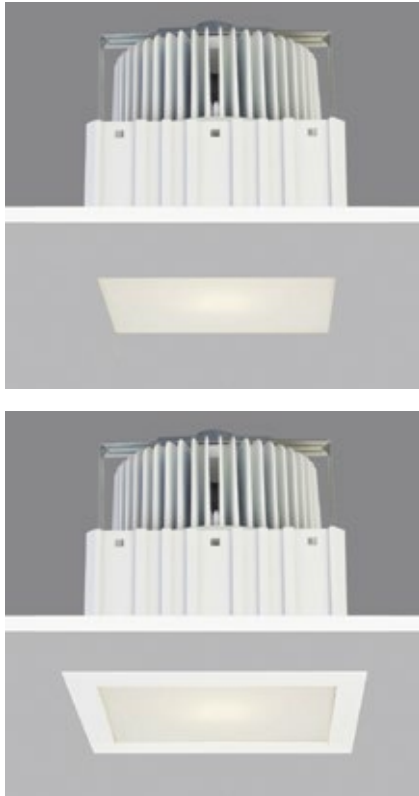
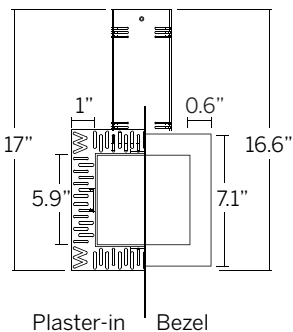
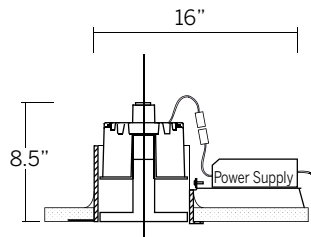


150 Square Downlight LED Specifications



6 inch square recessed luminaire with bezel trim or trimless 'plaster-in' for absolute minimal visual impact. Adjustable frosted diffuser with flush or regressed position.



cut-out dimensions 6 3/4" x 6 3/4"

Ordering Information

Model	LED ¹	Rated Lumens	Beam Angle	Voltage	Power Supply ²	Diffuser
WG-P150SDL plaster-in	80 CRI	4000	30	UNV	S	FR
	XTA-827	39.1W	43			
WG-B150SDL bezel	XTA-830	3000		120	D010	MP
	XTA-835	29.3W				
	XTA-840	2000				
		19.5W			DFPN ³	
		1490				
		13.6W				
	95 CRI	3000				
	XTA-927	34.1W				
	XTA-930	2000				
	XTA-935	26.4W				
	XTA-940	1300				
		15.6W				

Luminaire

- Bezel trim or trimless 'plaster-in' 6" square for drywall ceilings.
- Installation from below for remodel or new construction.
- 'Easy click' installation of diecast aluminum lamp insert module.
- Die-cast aluminum trim housing with and heavy gauge galvanized steel yoke with removable jbox from below ceiling.
- Tool free lamp and gear maintenance.
- Pre-wired with a 'Plug and Play' electrical connection.
- Adjustable frosted diffuser with flush or regressed position.
- Powdercoat painted white - RAL 9010.

LED¹

■ Xicato 80 Series, 80 CRI

- XTA-827 = 2700K
- XTA-830 = 3000K
- XTA-835 = 3500K
- XTA-840 = 4000K

■ Xicato Artist Series, 95 CRI

- XTA-927 = 2700K
- XTA-930 = 3000K
- XTA-935 = 3500K
- XTA-940 = 4000K

Rated Lumens

■ Xicato 80 Series (3K)

- 4000⁴ = 4000 lm @ 1400mA, 39.1W
- 3000 = 3000 lm @ 1050mA, 29.3W
- 2000 = 2000 lm @ 700mA, 19.5W
- 1490 = 1490 lm @ 500mA, 13.6W

■ Xicato Artist Series (3K)

- 3000 = 3000 lm @ 1050mA, 34.1W
- 2000 = 2000 lm @ 1050mA, 26.4W
- 1300 = 1300 lm @ 700mA, 15.6W

Beam Angle

- 30 = 30° accent illumination
- 43 = 43° general illumination

Voltage

- UNV = 120-277V
- 120 = 120V

Power Supply²

- S = standard non-dim driver 120-277V
- D010 = EldoLED, 1%, 0-10V dimming, 120-277V
- D3W = Lutron, 1%, 3-wire fluorescent dimming, 120-277V
- DES = Lutron, 1%, EcoSystem E1/E2 digital dimming, 120-277V³
- DFPN = Lutron 1% forward phase with neutral, 120V only³

Diffuser (frosted diffuser standard)

- FR = frosted diffuser
- MP = micro prism glass

Emergency

- Emergency LED driver available, order separately.

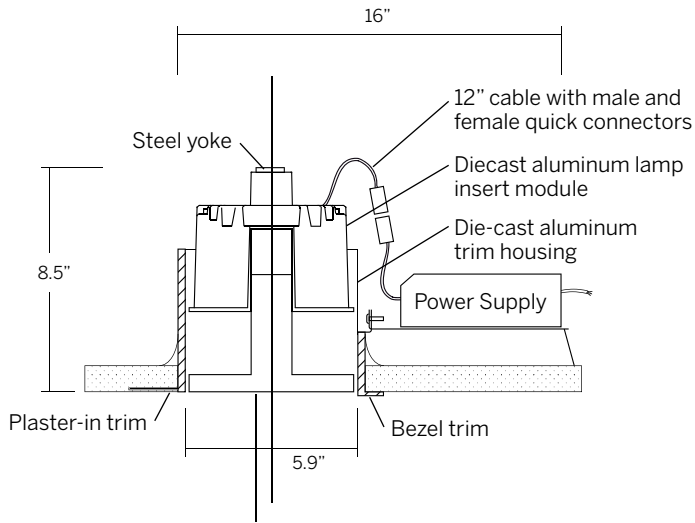
¹Other lumen packages available, consult factory.

²See power supply page for details.

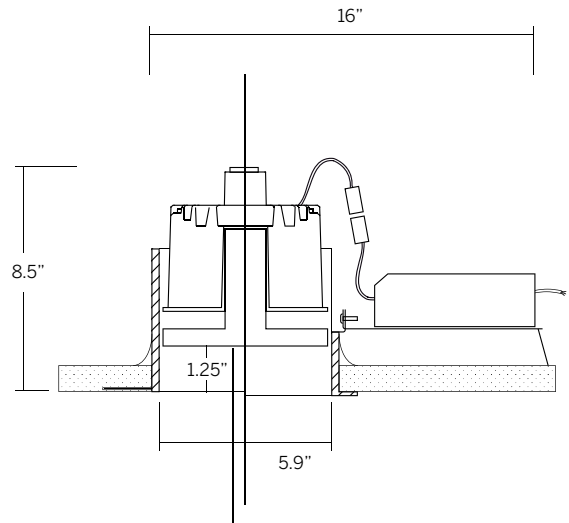
³Consult factory for lead-times.

⁴Only available in non dim and 0-10V.

150 Square Downlight LED Dimensions



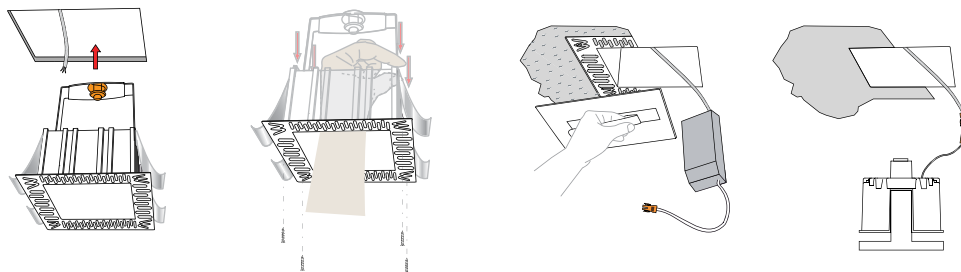
Frosted diffuser (flush position)



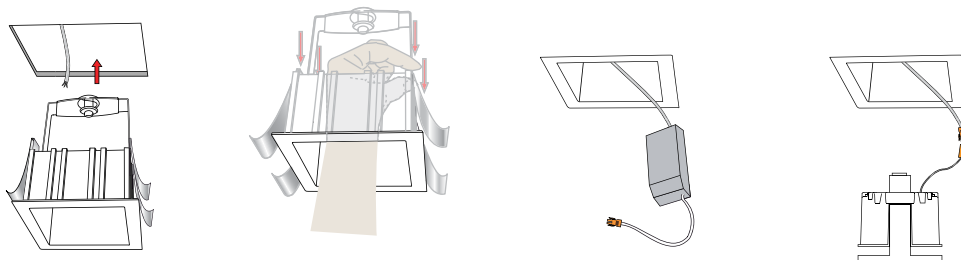
Frosted diffuser (regressed position)

cut-out dimensions 6 3/4" x 6 3/4"
See power supply page for details.

Plaster-in instructions



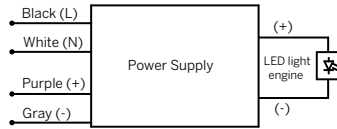
Bezel instructions



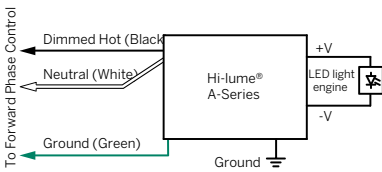
S (Standard non-dim)



D010 (EldoLED 0-10V)

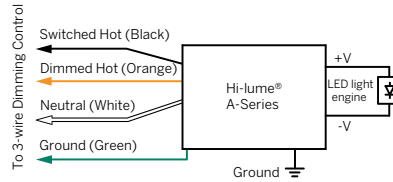


DFPN (1% Lutron forward phase with neutral)

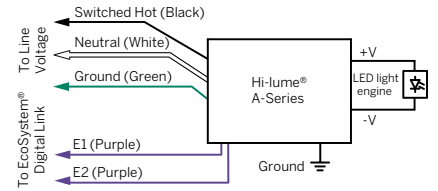


Note: Colors shown correspond to terminal blocks on driver.

DW3 (Lutron 1%, 3-wire)



DES (Lutron 1% EcoSystem® digital)



Note: Colors shown correspond to terminal blocks on driver.