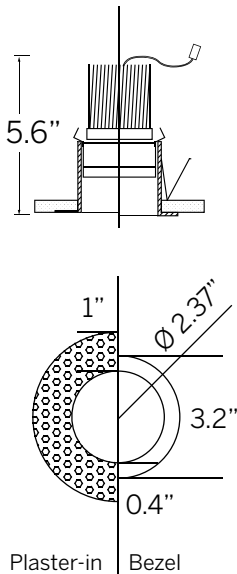


# 60 Round Downlight LED (IP) Specifications



2.4 inch round recessed luminaire with bezel trim or trimless 'plaster-in' for absolute minimal visual impact.



cut-out dimensions  $\varnothing 2 \frac{7}{8}$ "

## Ordering Information

Model	LED <sup>1</sup>	Rated Lumens	Beam Angle	Voltage	Power Supply <sup>2</sup>	Diffuser
WG-P60RDLP plaster-in	80 CRI	1300	38 54	UNV	X S D010 D3W DES <sup>3</sup>	CG MP
	XTA-827	11.7W				
WG-B60RDLP bezel trim	80 CRI	965		120	DFPN <sup>3</sup>	
	XTA-830	8.2W				
	XTA-835					
	XTA-840					
	95 CRI	1300				
	XTA-927	15.6W				
	XTA-930	965				
	XTA-935	10.9W				
	XTA-940					

### Luminaire

- Bezel trim or trimless 'plaster-in' for drywall ceilings.
- IP65 rated, wet location (suitable for shower).
- Installation from below for remodel or new construction.
- Machined diecast aluminum lamp insert module with retaining springs and gasket.
- Heavy gauge steel trim housing.
- Tool free lamp maintenance.
- Frosted regressed diffuser standard, other diffusers available (see diffusers).
- Powdercoat painted white - RAL 9010.

### LED<sup>1</sup>

#### ■ Xicato 80 Series, 80 CRI

- XTA-827 = 2700K
- XTA-830 = 3000K
- XTA-835 = 3500K
- XTA-840 = 4000K

#### ■ Xicato Artist Series, 95 CRI

- XTA-927 = 2700K
- XTA-930 = 3000K
- XTA-935 = 3500K
- XTA-940 = 4000K

### Rated Lumens

#### ■ Xicato 80 Series

- 1300 = 1300 lm @ 700mA, 11.7W (3K)
- 965 = 965 lm @ 500mA, 8.2W (3K)

#### ■ Xicato Artist Series

- 1300 = 1300 lm @ 700mA, 15.6W(3K)
- 965 = 965 lm @ 500mA, 10.9W(3K)

### Beam Angle

- 38 = 38° accent illumination
- 54 = 54° general illumination

### Voltage

- UNV = 120-277V
- 120 = 120V

### Power Supply<sup>2</sup>

- X = No driver
- S = Standard non-dim driver, 120-277V (remote).
- D010 = EldoLED, 1%, 0-10V dimming, 120-277V (remote).
- D3W = Lutron, 1%, 3-wire fluorescent dimming, 120V-277V (remote).
- DES = Lutron, 1%, EcoSystem E1/E2 digital dimming, 120V-277V (remote).<sup>3</sup>
- DFPN = Lutron 1% forward phase with neutral, 120V only (remote).<sup>3</sup>

### Diffuser (regressed frosted standard)

- CG = regressed clear glass
- MP = regressed micro prismatic glass

### Emergency

- Emergency LED driver available, order separately.

### Options

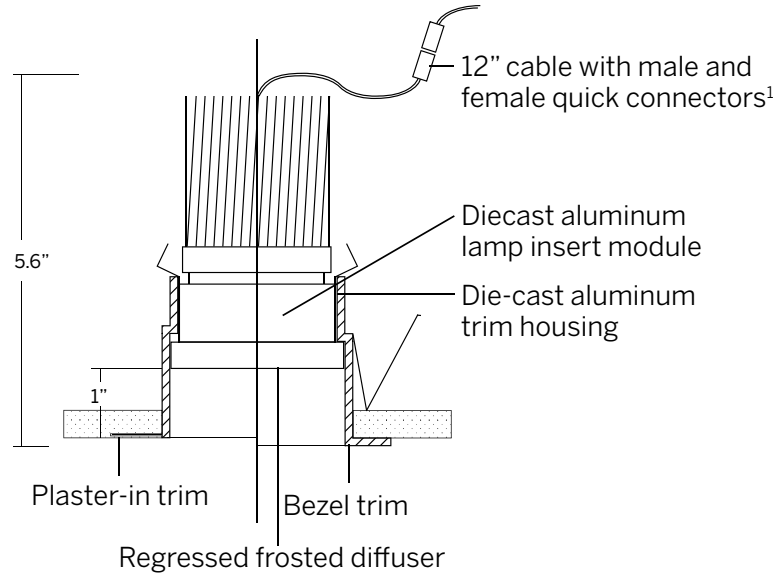
<sup>1</sup>Other lumen packages available, consult factory.

<sup>2</sup>See power supply page for details.

<sup>3</sup>Consult factory for lead-times.

IP65, wet location

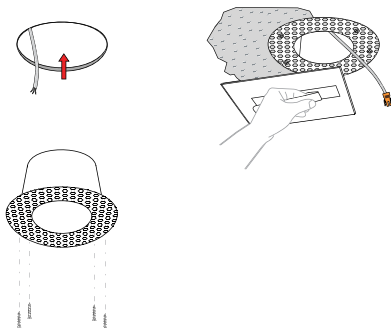




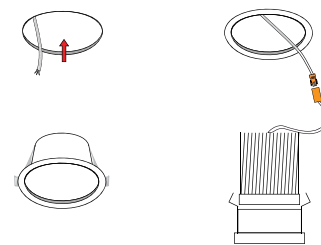
cut-out dimensions  $\varnothing 2\ 7/8"$

<sup>1</sup>Connectors included. Class II low voltage wire supplied by others. See power supply page for details.

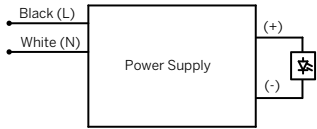
## Plaster-in instructions



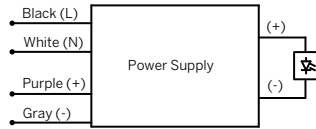
## Bezel instructions



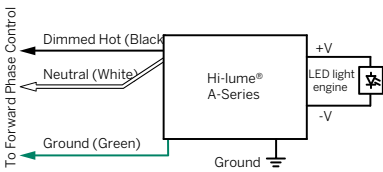
S (Standard non-dim)



D010 (EldoLED 0-10V)

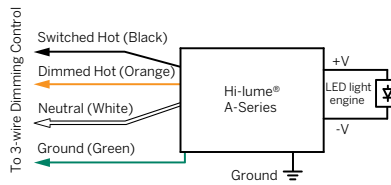


DFPN (Lutron forward phase with neutral)

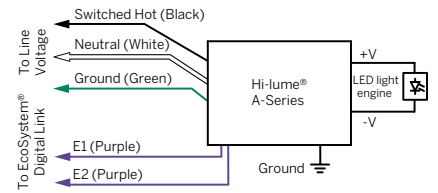


Note: Colors shown correspond to terminal blocks on driver.

DW3 (Lutron 1%, 3-wire)

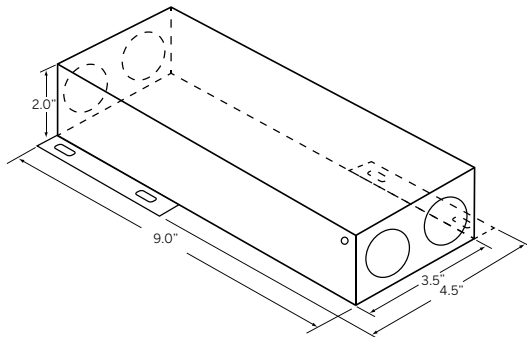


DES (Lutron EcoSystem® digital)



Note: Colors shown correspond to terminal blocks on driver.

Standard enclosure supplied with drivers shown above.



Wire Gauge	Maximum Lead Length*
	350mA – 700mA
18	30 ft (9 m)
16	35 ft (10.5 m)
14	50 ft (15 m)
12	100 ft (30 m)

\*Must comply with NEC code

Note: Colors shown correspond to terminal blocks on driver.