

60 Round Downlight LED Specifications



2.4 inch round recessed luminaire with bezel trim or trimless 'plaster-in' for absolute minimal visual impact.

Ordering Information

Model	LED ¹	Rated Lumens	Beam Angle	Voltage	Power Supply ²	Diffuser
WG-P60RDL plaster-in	80 CRI XTA-827	1300 11.7W	38 54	UNV	X S D010 D3W DES ³	CG FG FR MP
	95 CRI XTA-927 XTA-930 XTA-935 XTA-940	1300 15.6W 965 10.9W				
WG-B60RDL bezel trim				120	DFPN ³	

Luminaire

- Bezel trim or trimless 'plaster-in' for drywall ceilings.
- Installation from below for remodel or new construction.
- Twist lock diecast aluminum lamp insert module.
- Heavy gauge steel trim housing.
- Tool free lamp maintenance.
- Open aperture standard, other diffusers available (see diffusers).
- Powdercoat painted white - RAL 9010.

LED¹

■ Xicato 80 Series, 80 CRI

- XTA-827 = 2700K
- XTA-830 = 3000K
- XTA-835 = 3500K
- XTA-840 = 4000K

■ Xicato Artist Series, 95 CRI

- XTA-927 = 2700K
- XTA-930 = 3000K
- XTA-935 = 3500K
- XTA-940 = 4000K

Rated Lumens

■ Xicato 80 Series

- 1300 = 1300 lm @ 700mA, 11.7W (3K)
- 965 = 965 lm @ 500mA, 8.2W (3K)

■ Xicato Artist Series

- 1300 = 1300 lm @ 700mA, 15.6W (3K)
- 965 = 965 lm @ 500mA, 10.9W (3K)

Beam Angle

- 38 = 38° accent illumination
- 54 = 54° general illumination

Voltage

- UNV = 120-277V
- 120 = 120V

Power Supply²

- X = No driver
- S = Standard non-dim driver, 120-277V (remote).
- D010 = EldoLED, 1%, 0-10V dimming, 120-277V (remote).
- D3W = Lutron, 1%, 3-wire fluorescent dimming, 120V-277V (remote).
- DES = Lutron, 1%, EcoSystem E1/E2 digital dimming, 120V-277V (remote).³
- DFPN = Lutron 1% forward phase with neutral, 120V only (remote).³

Diffuser (open aperture standard)

- CG = regressed clear glass
- FG = flush frosted diffuser
- FR = regressed frosted diffuser
- MP = regressed micro prismatic glass

Emergency

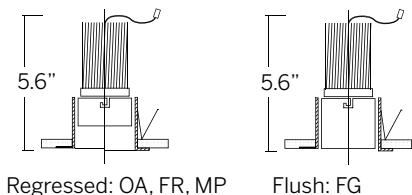
- Emergency LED driver available, order separately.

Options

¹Other lumen packages available, consult factory.

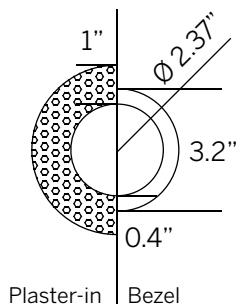
²See power supply page for details.

³Consult factory for lead-times.



Regressed: OA, FR, MP

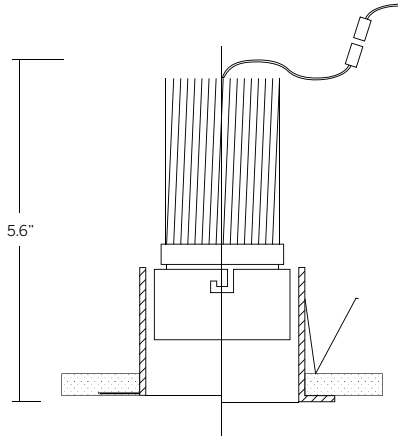
Flush: FG



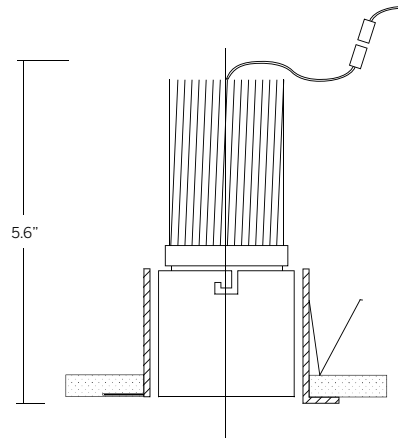
Plaster-in | Bezel

cut-out dimensions $\varnothing 2 \frac{3}{4}$ "

60 Round Downlight LED Dimensions



Frame and insert with open aperture or regressed diffuser

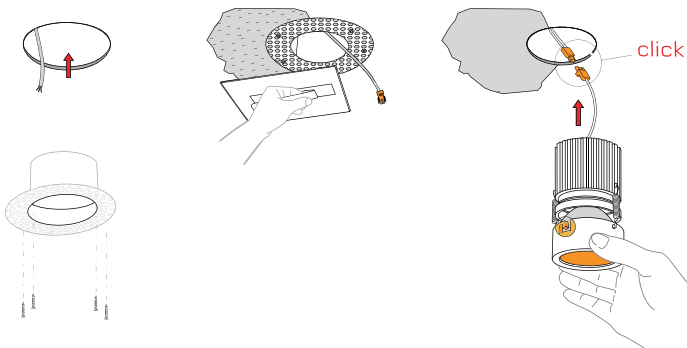


Frame and insert with frosted flush diffuser

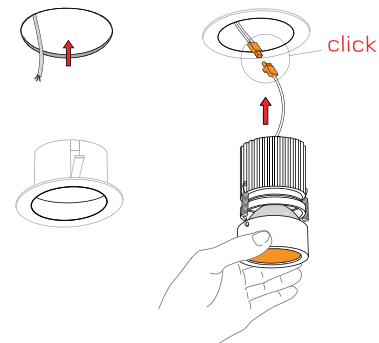
cut-out dimensions \varnothing 2 3/4"

¹Connectors included. Class II low voltage wire supplied by others. See power supply page for details.

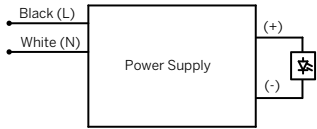
Plaster-in instructions



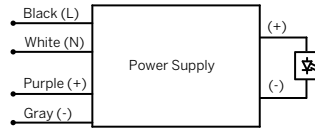
Bezel instructions



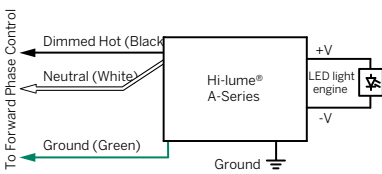
S (Standard non-dim)



D010 (EldoLED 0-10V)

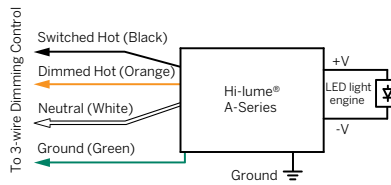


DFPN (Lutron forward phase with neutral)

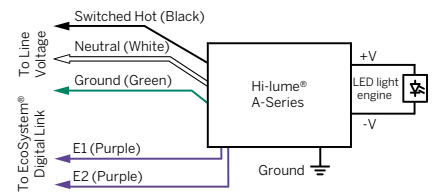


Note: Colors shown correspond to terminal blocks on driver.

DW3 (Lutron 1%, 3-wire)

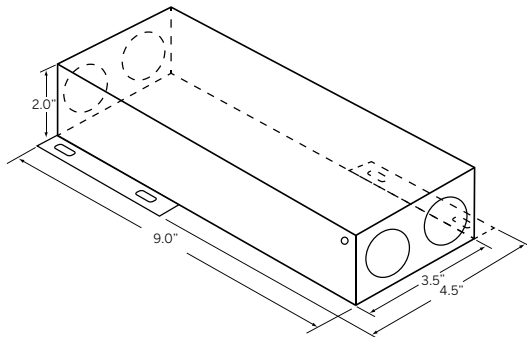


DES (Lutron EcoSystem® digital)



Note: Colors shown correspond to terminal blocks on driver.

Standard enclosure supplied with drivers shown above.



Wire Gauge	Maximum Lead Length*
	350mA – 700mA
18	30 ft (9 m)
16	35 ft (10.5 m)
14	50 ft (15 m)
12	100 ft (30 m)

*Must comply with NEC code

Note: Colors shown correspond to terminal blocks on driver.