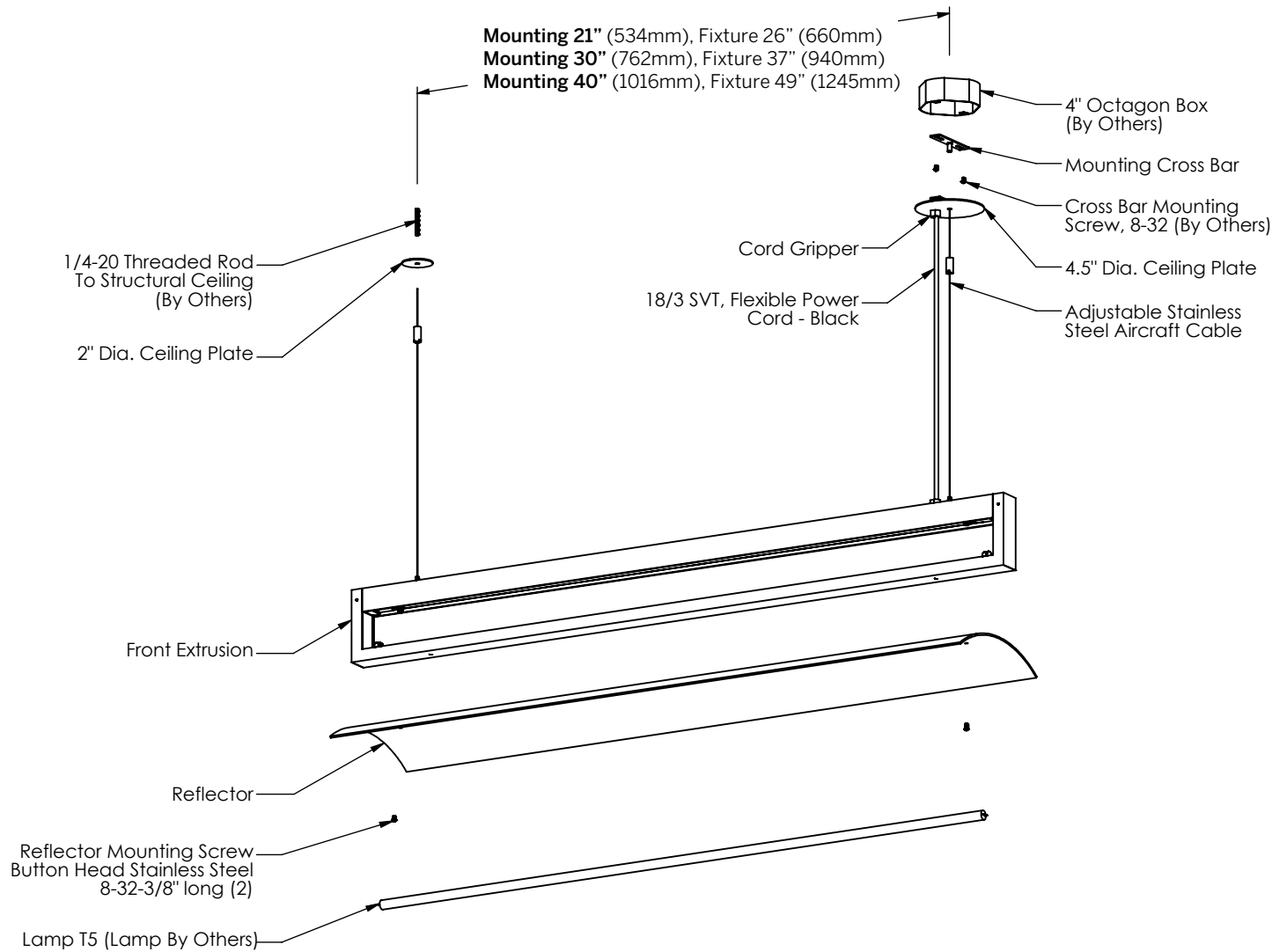


# Wing Installation Instructions



## INSTALLATION INSTRUCTIONS:

1. Attach the reflector to the front extrusion using the screws provided (2).
2. Secure mounting cross bar to the standard 4" octagon box (Screws By Others).
3. Insert power cable through 4.5" dia. ceiling plate and secure with set screw provided.
4. Splice.
5. Secure 4.5" dia. ceiling plate with the cable coupling to the 1/4-20 mounting screw.
6. Secure 2" dia. ceiling plate with the cable coupling to the 1/4-20 threaded rod.
7. Install lamp (Lamp By Others).
8. Energize

## NOTE:

- \* TURN POWER OFF BEFORE BEGINNING.
- \* DO NOT CONNECT TO AN UNGROUNDED SUPPLY.
- \* CONSULT A QUALIFIED ELECTRICIAN TO ENSURE CORRECT BRANCH CIRCUIT CONDUCTOR.
- \* THIS PRODUCT MUST BE INSTALLED IN ACCORDANCE WITH THE APPLICABLE INSTALLATION CODE BY A PERSON FAMILIAR WITH THE CONSTRUCTION AND OPERATION OF THE PRODUCT AND THE HAZARDS INVOLVED.
- \* SAVE THESE INSTRUCTIONS.

Series	Style	Lamp	Diffuser	Finish	Length	Voltage	Options
1821	P		NA				
P - Pendant		40 - 1 x 14 Watt / G5 41 - 1 x 24 Watt HO / G5 42 - 1 x 21 Watt / G5 43 - 1 x 39 Watt HO / G5 44 - 1 x 28 Watt HO / G5 45 - 1 x 54 Watt HO / G5	NA - Not Applicable	19 - Painted Anodized Aluminum 21 - Painted White 22 - Painted Custom Color	26" 37" 49"	U - 120-277 V 1 - 120 V 2 - 220-240 V 3 - 277 V	DM- Specify Dimming Ballast Consult The Factory EM- Fluorescent Emergency, Battery - Remote Other _____

