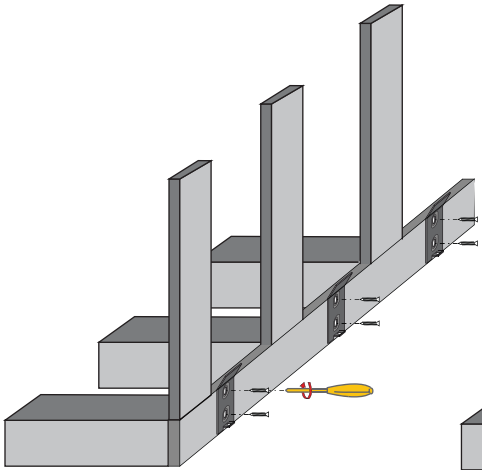


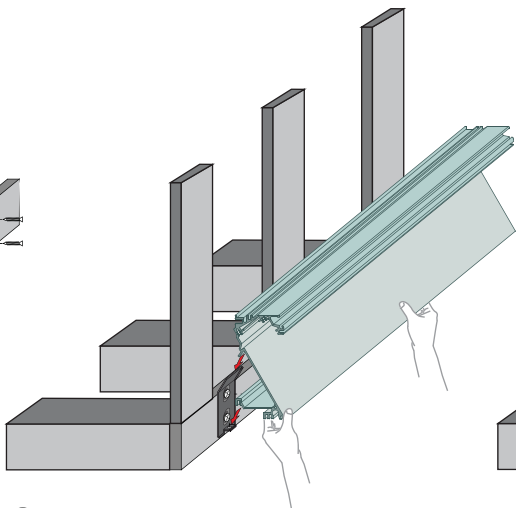
whitegoods

Zcove LED
side bracket
installation detail
page 1 of 2



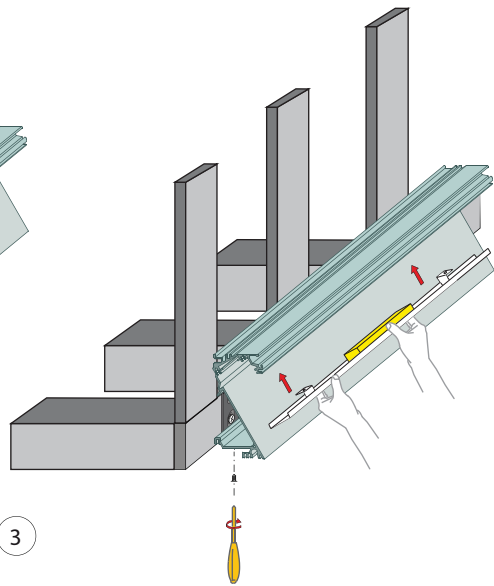
1

Secure wall bracket to building structure. Position wall bracket as required for wall to wall or shape layout. Bottom of bracket sits on top of 5/8" drywall ceiling equally 32" o.c. minimum spacing.



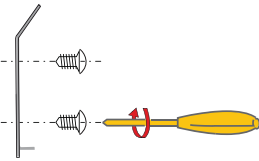
2

Place Zcove extrusion on top of wall bracket.

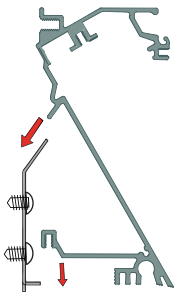


3

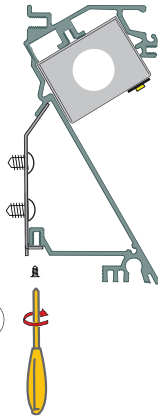
Secure extrusion to wall bracket with M4 round head machine screw included. Refer to next page for attaching to adjacent extrusion. See gear tray installation page for how to install gear trays.



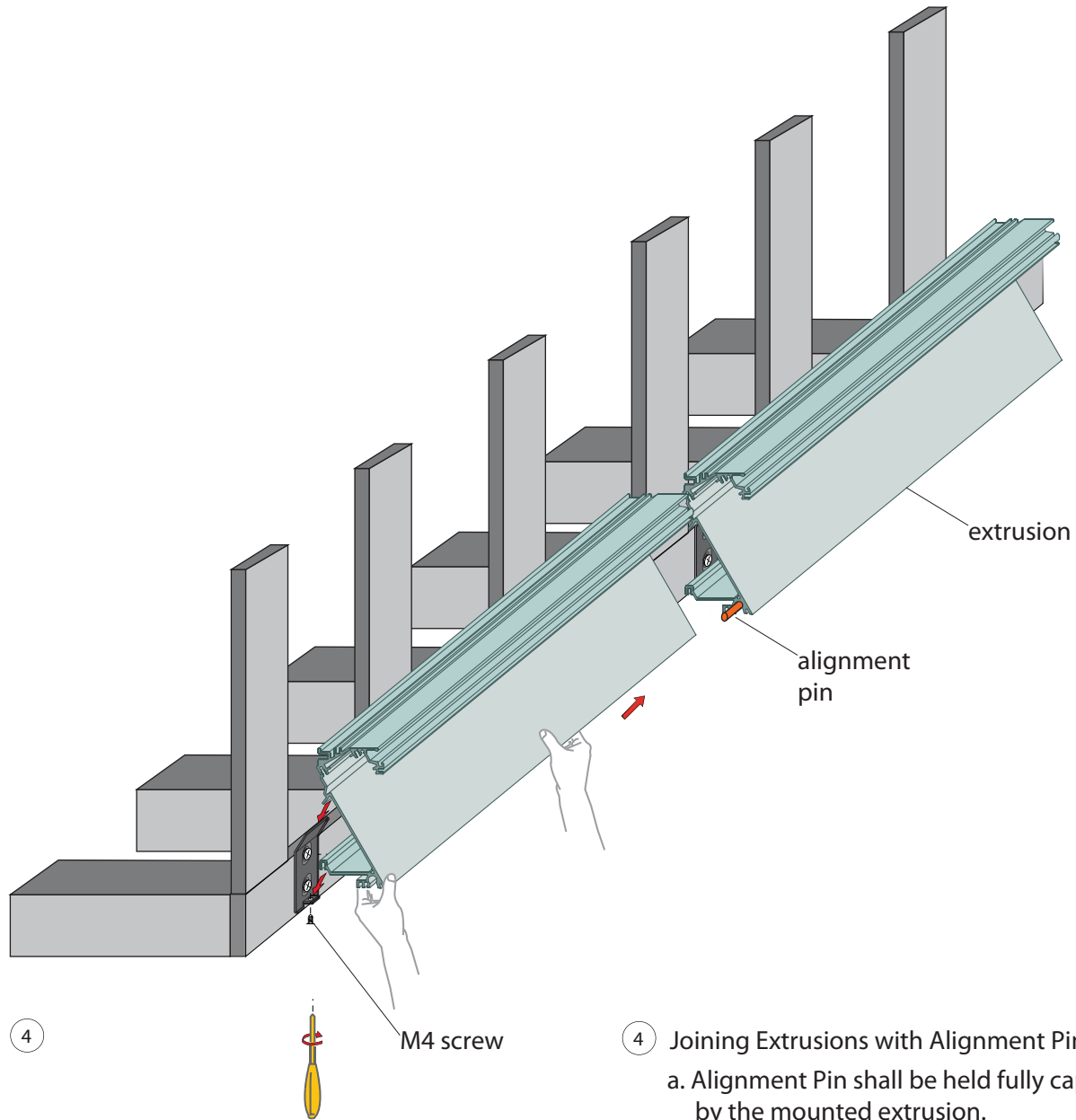
1



2



3



- 4 Joining Extrusions with Alignment Pin
- Alignment Pin shall be held fully captive by the mounted extrusion.
 - After installing the adjacent extrusion (with the ends of extrusions touching), lock the extrusion in place by tightening the side mounting bracket with M4 screw.
 - Using a flat blade screwdriver, push the alignment pin into the other extrusion so that half of the pin stays inside each extrusion.

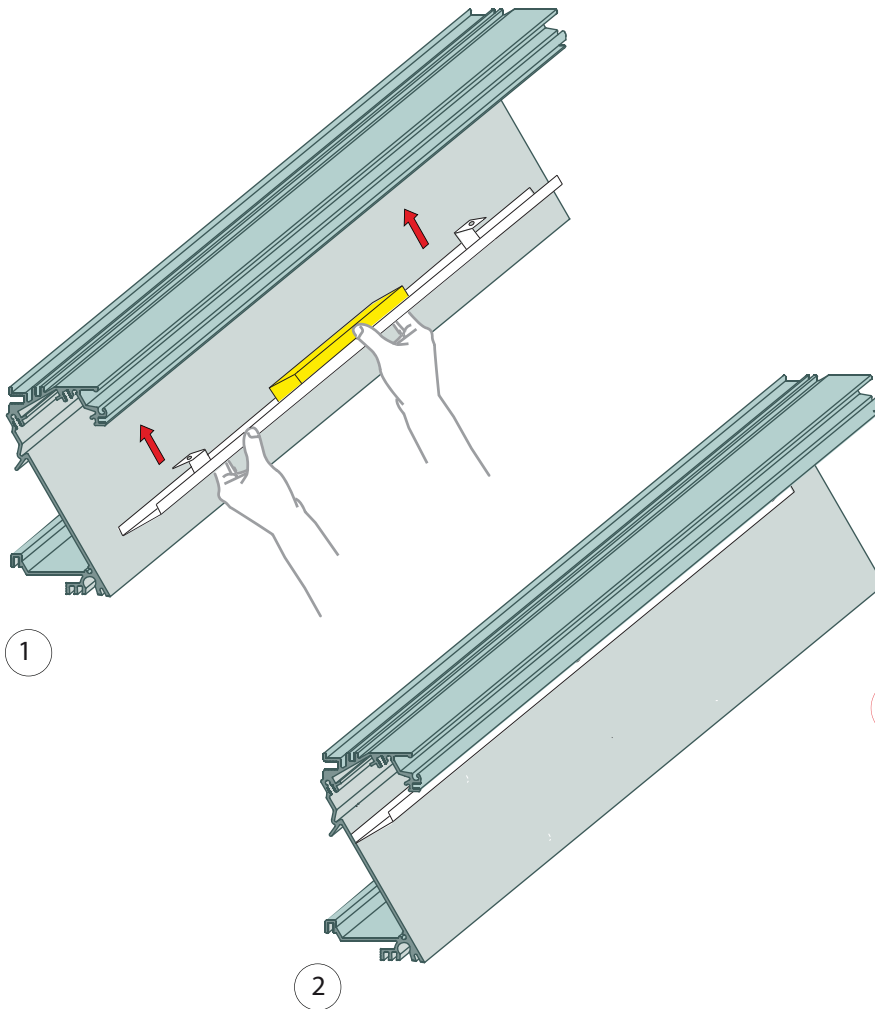
whitegoods

Zcove gear tray installation instructions

TURN POWER OFF BEFORE BEGINNING
SAVE THESE INSTRUCTIONS

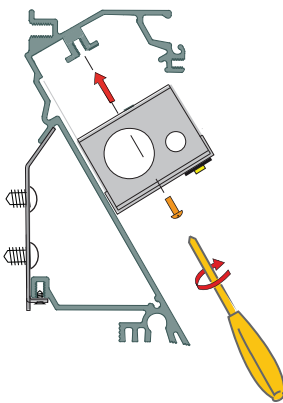
PREPARE THE REQUIRED OPENING
REMOVE ANY INSULATION OR
DEBRIS A MINIMUM OF 6" FROM
THE FIXTURE ON ALL SIDES

- 1) REFER TO GEAR TRAY LAYOUT DRAWINGS FOR EXACT LOCATION FOR EACH GEAR TRAY TO ENSURE CONTINUOUS ILLUMINATION. FIGURE 1 & 2.
- 2) SECURE GEAR TRAY TO EXTRUSION WITH 'M4' SCREWS INCLUDED. FIGURE 1a & 1b,
- 3) CONNECT WIRE LEADS IN PARALLEL TO EACH GEAR TRAY. DETAIL 'A'
- 4) ENSURE ALL GEAR TRAY WIRING IS COMPLETELY INSTALLED AND LAMPS PROPERLY CONFIGURED FOR CONTINUOUS ILLUMINATION.
- 5) ONCE ALL LUMINAIRE WIRING IS COMPLETELY CONNECTED, TURN ON POWER

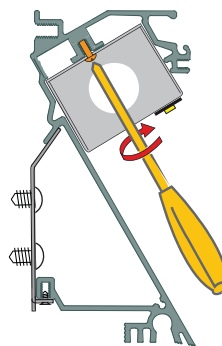


1

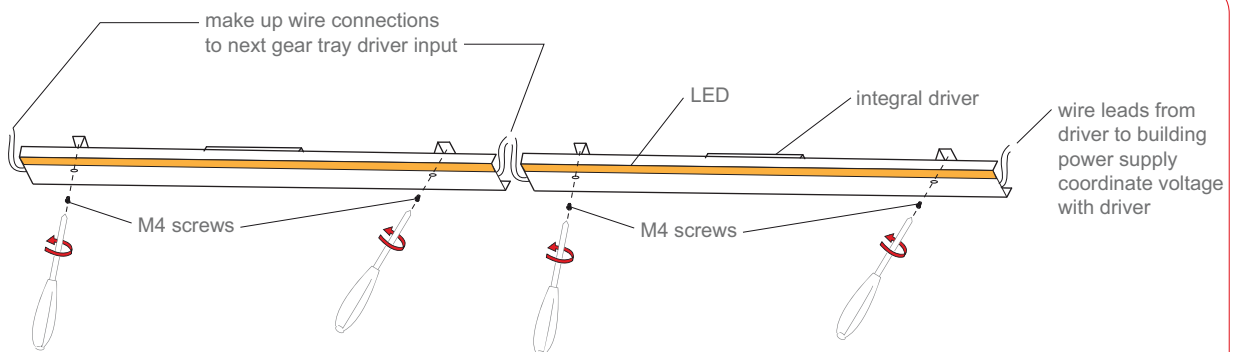
2



1a



1b



Detail A

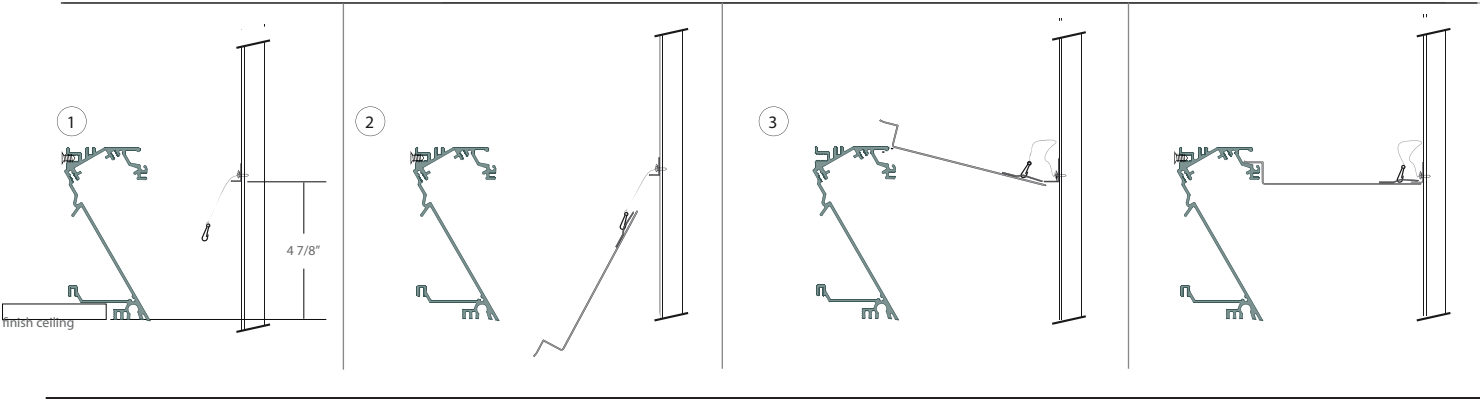
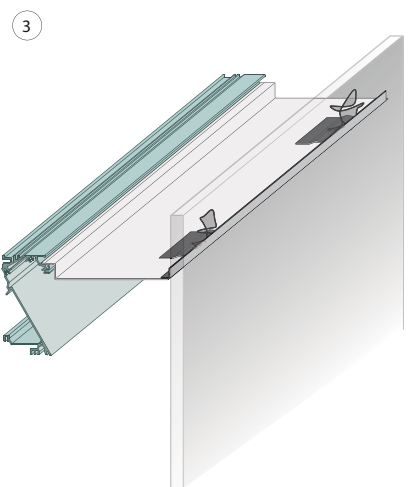
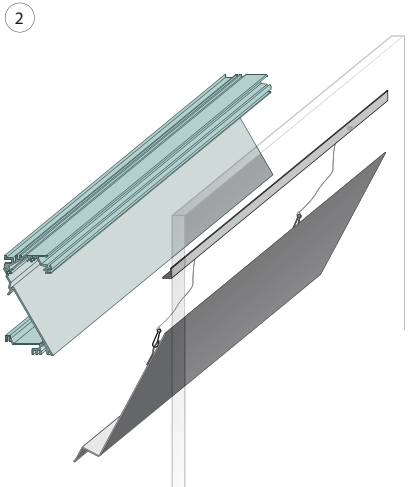
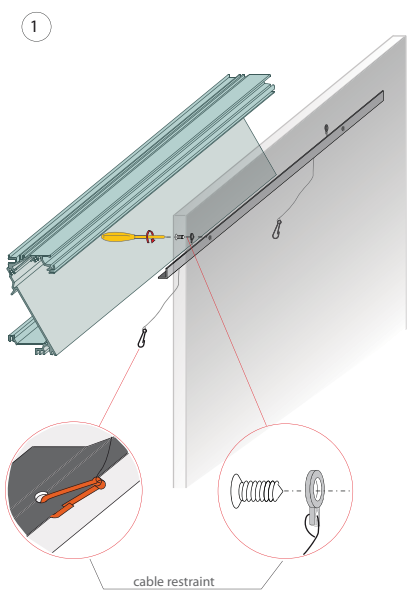
whitegoods

Zcove in-fill panel installation detail

Secure rail to wall. Bottom of rail shall be 4 7/8" above the finished ceiling or . Attach safety cable as shown to the rail. Align safety cable with in-fill panel retaining clip.

Attach safety cable onto the in-fill panel retaining clip

Tilt in-fill panel edge closest to the Zcove extrusion upward extending above the Zcove extrusion and then sliding the retaining clip onto the rail



whitegoods

Zcove joiner
and diffuser
installation details

