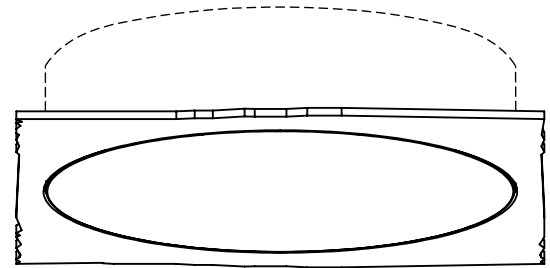
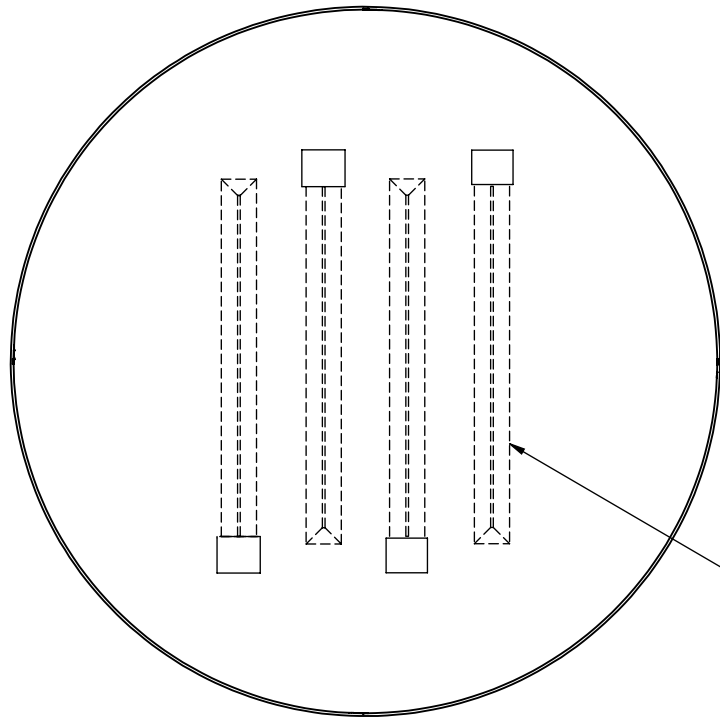
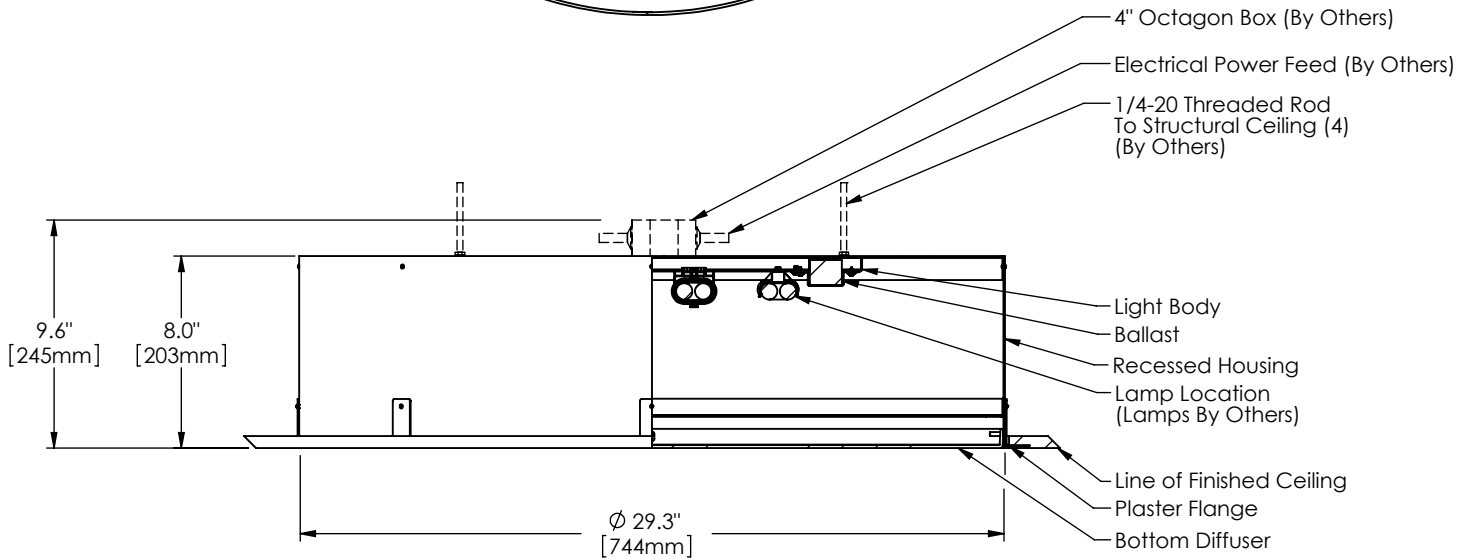


Plate P Specifications



PERSPECTIVE VIEW

Lamp Location
(Lamps By Others)



4" Octagon Box (By Others)

Electrical Power Feed (By Others)

1/4-20 Threaded Rod
To Structural Ceiling (4)
(By Others)

Light Body

Ballast

Recessed Housing

Lamp Location
(Lamps By Others)

Line of Finished Ceiling

Plaster Flange

Bottom Diffuser

1361	R		SW	21	29.3		
Series	Style	Lamp	Diffuser	Finish	Dia.	Voltage	Options

R - Recessed
194 - 4 x 36 Watt / 2G11
203 - 3 x 40 Watt / 2G11
204 - 4 x 40 Watt / 2G11

SW - Satin White
Opal Acrylic

21 - Painted White

29.3"

U - 120-277 V
1 - 120 V
2 - 220-240 V
3 - 277 V

DM - Specify Dimming Ballast
Consult The Factory
EM - Fluorescent Emergency,
Battery - Remote
Other _____

