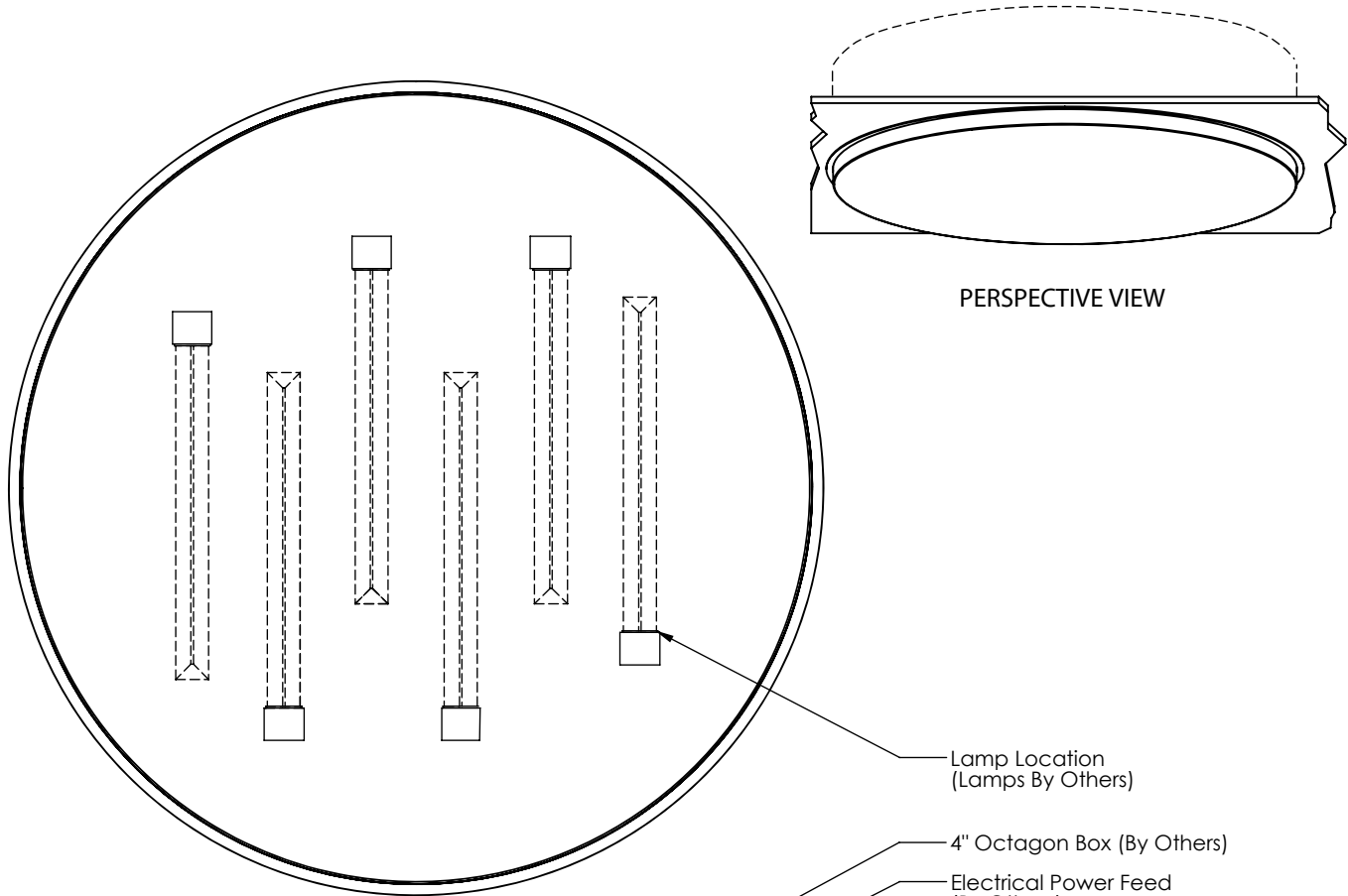
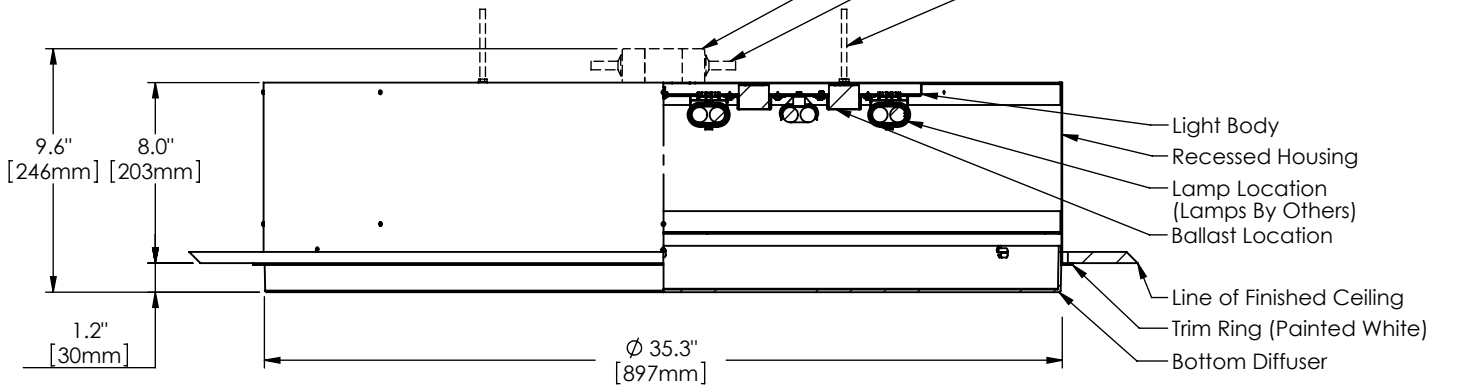


Plate R Trim Specifications



PERSPECTIVE VIEW



- Lamp Location (Lamps By Others)
- 4" Octagon Box (By Others)
- Electrical Power Feed (By Others)
- 1/4-20 Threaded Rod To Structural Ceiling (4) (By Others)
- Light Body
- Recessed Housing
- Lamp Location (Lamps By Others)
- Ballast Location
- Line of Finished Ceiling
- Trim Ring (Painted White)
- Bottom Diffuser

1363	R		SW	21	35.3		
Series	Style	Lamp	Diffuser	Finish	Dia.	Voltage	Options

R - Recessed 196 - 6 x 36 Watt / 2G11 SW - Satin White 21 - Painted White 35.3" U - 120-277 V DM - Specify Dimming Ballast
 205 - 5 x 40 Watt / 2G11 Opal Acrylic 1 - 120 V Consult The Factory
 206 - 6 x 40 Watt / 2G11 2 - 220-240 V EM - Fluorescent Emergency, Battery - Remote
 3 - 277 V Other _____

