

Assembly instruction

Date: 22.08.2013

Pendant Light CIRCOLO INVERSE

Safety instructions:

The light fixture has to be installed only by qualified electricians. Qualified personnel are people which are familiar with the installation and implementing of the product, and which have special qualification. For example:

Training as an electrical competent person or electro technical instructed person.

Education or instruction in handling moderate safety equipment accordantly to the standard safety technique for electrical circuit.

Education or instruction in first aid and accident prevention.



Dangers:

- The supply line might be on voltage at installation time.
- Heavy injuries caused by electricity are possible.
- Before installation or dismounting check for de-energized supply line and light fixture.

Technical data:



Frame

Circular aluminum profile, opal acrylic glass ring in two parts on the outside

Dimension	Fixture Weight	technical-unit Weight
Ø 1320 H 170 B 70 mm	20 kg	5 kg
Ø 51.9" H 6.7" B 2.7"	44 lb	11 kg
Ø 1600 H 170 B 70 mm	25 kg	5 kg
Ø 51.9" H 6.7" B 2.7"	55 lb	11 kg
Ø 2300 H 170, B 70 mm	35 kg	5 kg
Ø 90.5" H 6.7" B 2.7"	77 lb	11 kg
Ø 2600 H 170, B 70 mm	40 kg	5 kg
Ø 102.3" H 6.7" B 2.7"	88 lb	11 kg

BOM

	Pos.	quantity
Package 1, Frame		
Aluminum-ringframe	①	1 unit
Acrylic-glass-ring, 2 parts	②	1 unit
Package 2, technical part		
<input type="checkbox"/> Steel cable 5 m (197") 4-part 4 x straight suspension	④	1 unit
<input type="checkbox"/> Steel cable 5 m (197") 4-part 1 x trapeze suspension	④	1 unit
<input type="checkbox"/> Supply line (textile) Tu-Lf	⑤	1 unit
Gloves, white	⑥	1 pair
Screwdriver	⑥	1 unit
Assembly instruction	⑥	1 unit
Backup: Push terminal quadruple		1 unit
Push terminal double		1 unit
Stainless steel Decoration screw		1 unit
<input type="checkbox"/> Interface dimmer 1-10 V		



Pendant Light CIRCOLO INVERSE



Warranty

Use the enclosed assembly instructions for the installation of the lighting fixture. Contravention of the assembly instruction leads to expiration of warranty.

The assigned installation team is briefed to handle the product carefully and reliable to prevent damage towards third parties. The present light fixture has been tested in combination with the appendant technical part for full operational functions.



Delivery contains 2 packages

Unpack the light fixture and check completeness according to list of items.

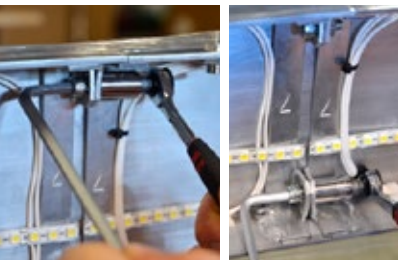
Use for installation enclosed cloth gloves to prevent soiling of polished frame, screws and acrylic-glass-ring.



1. Preperation

Place the aluminum ring underneath the installation position on the floor, to prevent scratches and soiling use a clean support pad.

Turn the power supply to the desired position.



Light fixtures Ø 2300 and 2600

Assemble the two parts of the aluminum ring on top and bottom with the screws.

2. Mark anchor positions

Mark anchor position of your light fixture on the ceiling according to drilling template (next page), please mind the different diameters of the light.

Predrill the anchor points with Ø 6mm, mount the wall plug and fix the steel cable bracket.

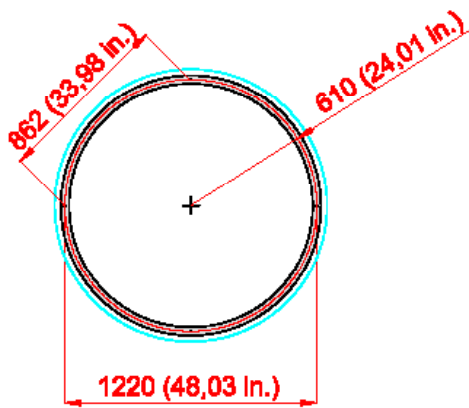
Please ensure the load capacity of the ceiling is sufficient.



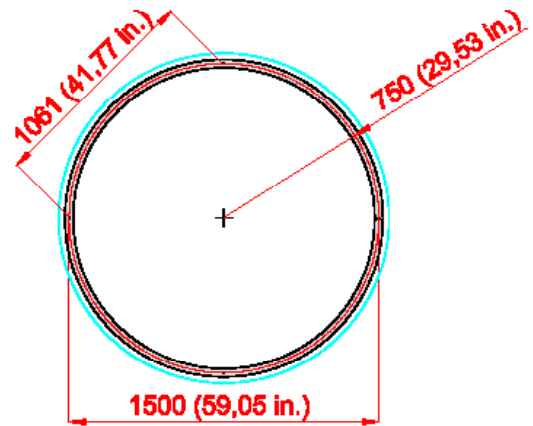
Assembly instruction

Depending on chosen suspension:

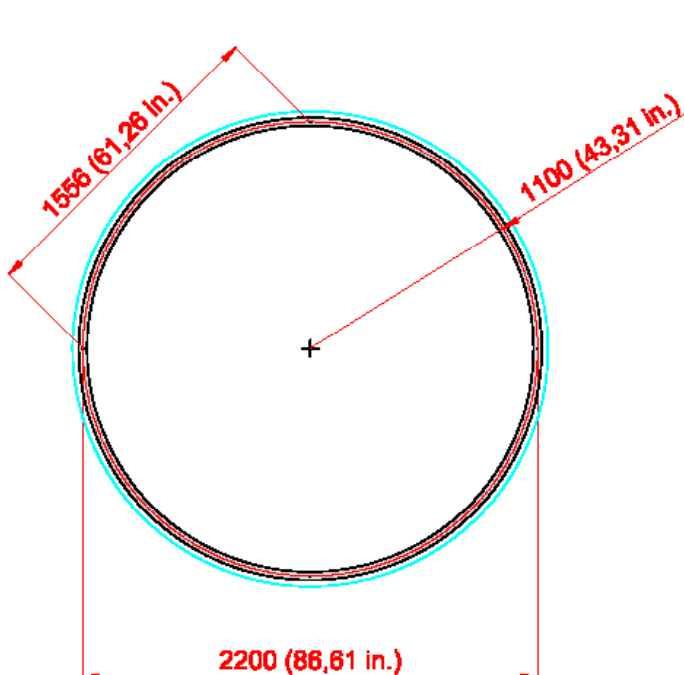
4 Suspension Points for straight suspension, 1 Suspension Point point for trapeze-suspension.



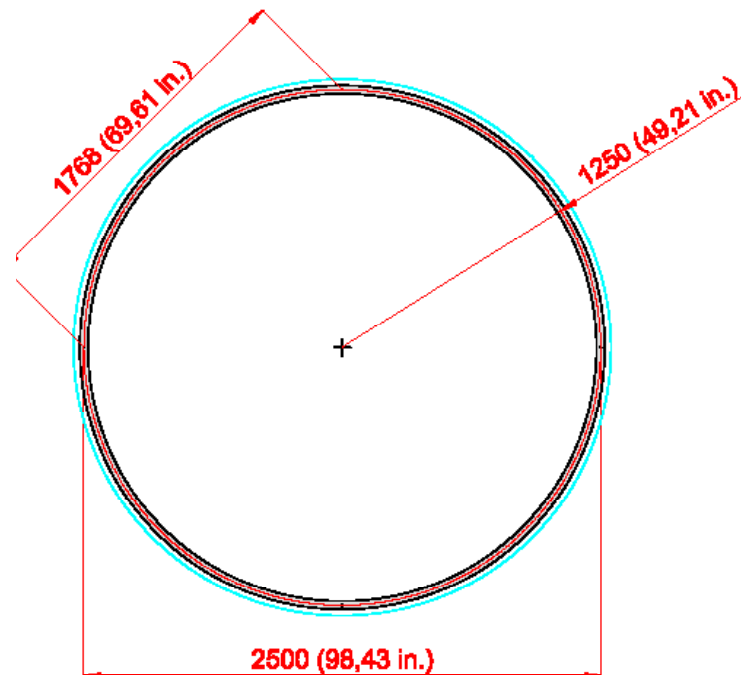
CIRCOLO INVERSE Ø 1320 mm / 52"
4 Suspension Points



CIRCOLO INVERSE Ø 1600 mm / 63"
4 Suspension Points



CIRCOLO INVERSE Ø 2300 mm / 90,5"
4 Suspension Points



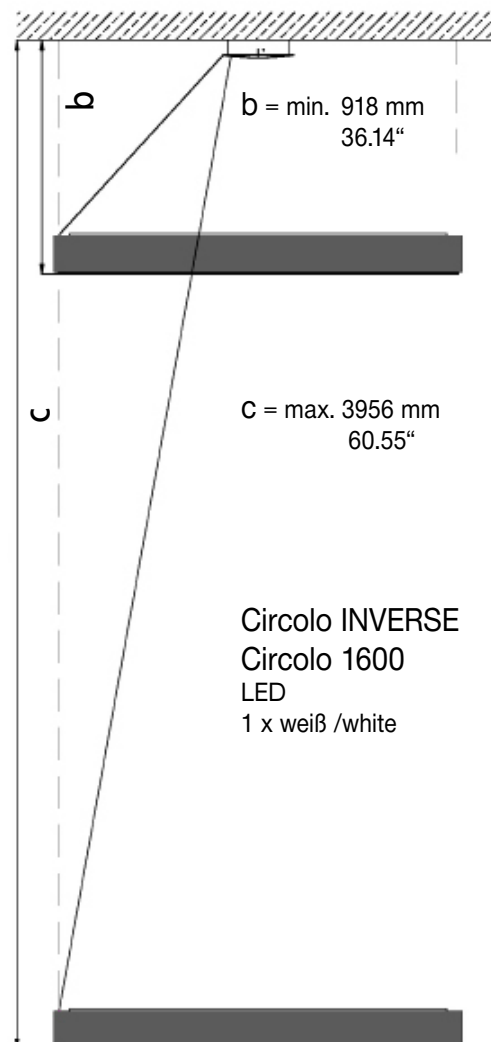
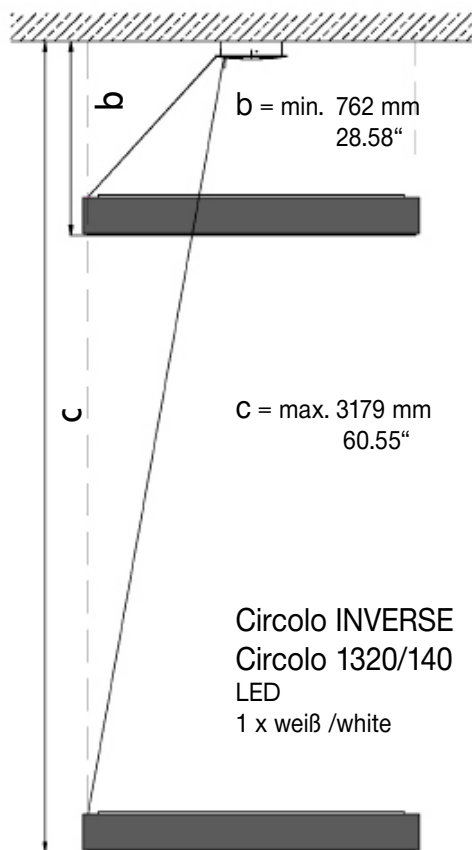
CIRCOLO INVERSE Ø 2600 mm / 102,4"
4 Suspension Points

Pendant Light CIRCOLO INVERSE

Ø 1320 mm / 51.96"

Ø 1600 mm / 62.99"

With canopy - min. (b) approx. max. (c) distance from ceiling



Pendant Light CIRCOLO INVERSE

3. Installation of steel cable suspension

Straight suspension or trapeze suspension

The steel cable bracket supports static loads. Requirement for safe use is a installation to the ceiling (wall plug, hoes, etc.) which is supporting a ultimate load of 99 lb (45 kg). Installation should be performed by a technician.

Insert the lower ends of the steel cable to the premounted steel cable brackets on the light fixture. Through soft pressure on the spring-loaded nozzle of the steel cable bracket it is smoothly adjustable upward or downward to the desired position. As soon as there is load on the steel cable bracket, it will secure itself and it won't slide in any directions.

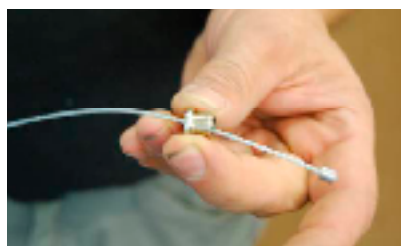
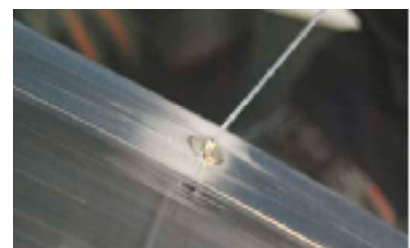
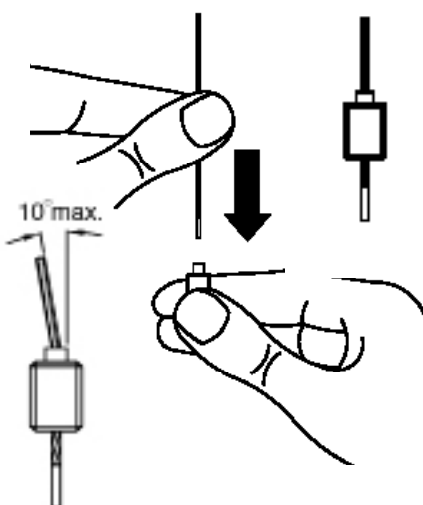
To adjust it again: lift the light fixture to relieve load of the steel cable brackets (!), give a soft push with your finger to the nozzle, now it is adjustable to any position again.

Please make sure that the steel cable is insert at least so far that it is visible at the lower end of the premounted bracket. If required cut the superfluous cable.

Note:

The steel cable brackets are just for indoor use. Cables need to be flawless. The nozzle of the steel cable bracket must show noticeable spring loaded pressure. To ensure the full load capacity the cables shouldn't be greasy or rusty.

The steel cable brackets are just for use of supplied steel cables at static load.



The exit angle of the steel cable at the nozzle should on no account be more than 10°.

Pendant Light CIRCOLO INVERSE



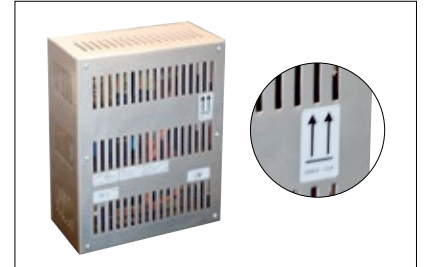
4. Installation of TU (technical unit) or canopy

The TU has to be mounted vertical (not the canopy) to guarantee air circulation.

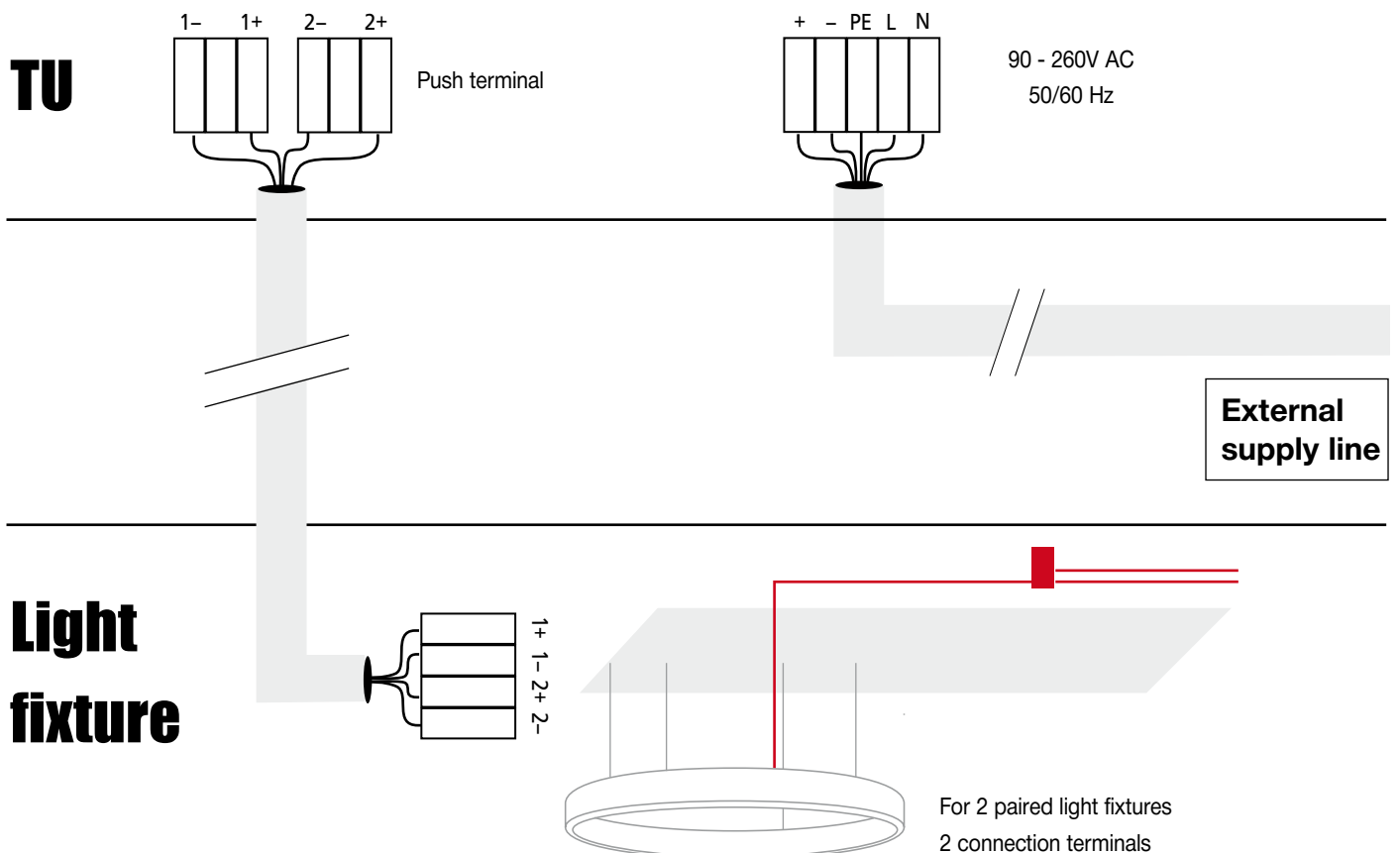
It shouldn't be mounted horizontal. Connect the external power supply line to the TU. Please take note of the numbering on the strands ,when connecting the supply line between TU and light fixture. The distance between TU and light fixture should not be more than 10 meters.

4.1 Connection template

The connection has to be done in accordance to the terminal assignment. This varies depending on the diameter and the technical composition. Please connect pairwise.



Technical unit / Canopy



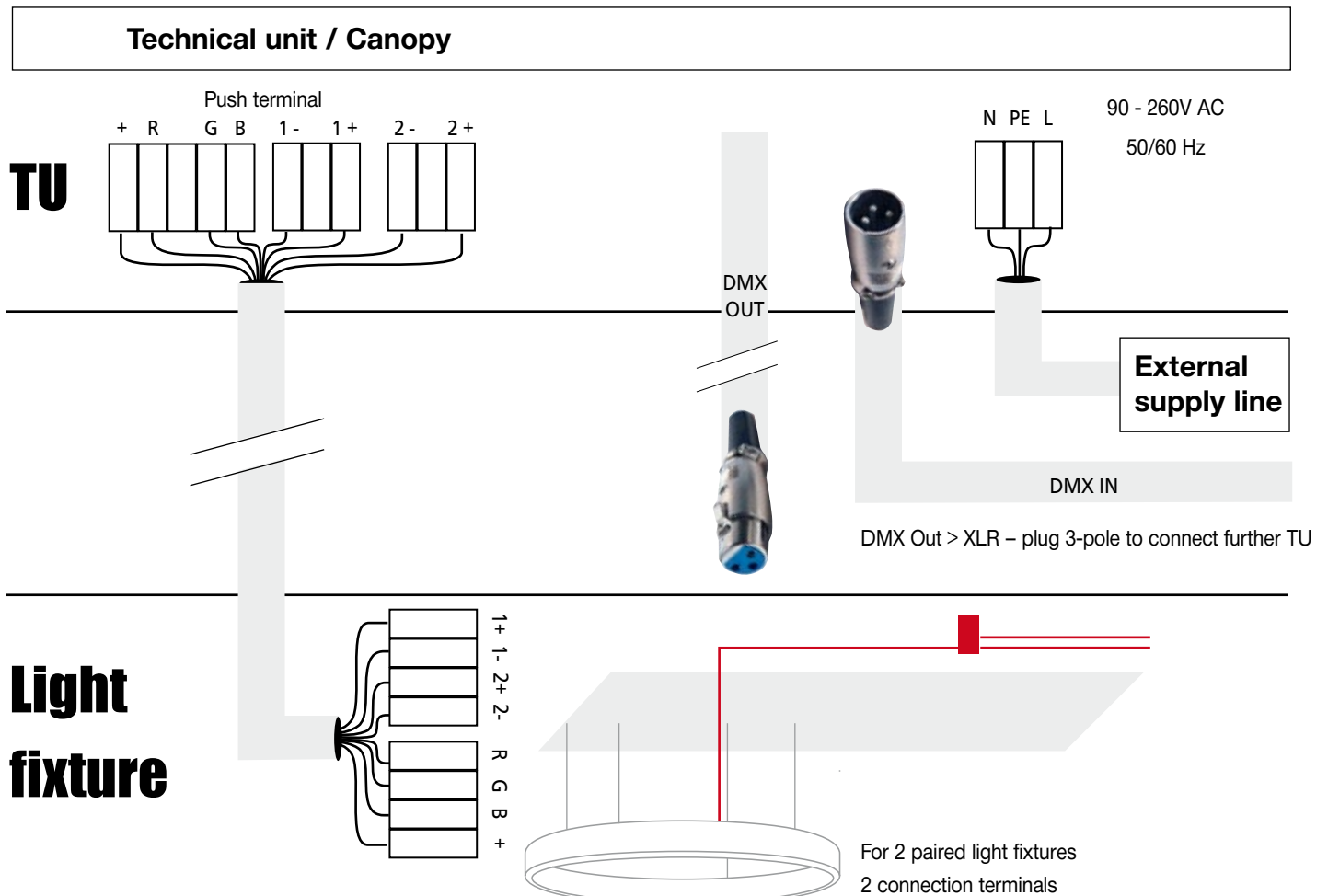
Pendant Light CIRCOLO INVERSE



4.1 Connection template

The connecting has to be followed as already marked by terminal assignment. This varies depending on the diameter of the light and technical composition. Please connect pairwise.

Pattern sample RGB/White DMX



Pendant Light CIRCOLO INVERSE



5. Connecting the light fixture

Make sure all cables are deenergized, so there is no voltage. Electricity can cause injuries.



Pull the multi pole supply line (coming from TU) through provided opening on the light fixture.

Install with the enclosed screwdriver and premounted push terminals according to the connection template. (see page 6-7)

To prevent untwisting of the textile cable coating, please use electrical tape for fixation.

A cable tie ensures cable relief.



Check functionality of light fixture



6. Mounting of acrylic glass ring

Please use textile gloves to mount the two parts of the acrylic glass ring. Insert the ringparts each from the side into the already suspended and leveled light fixture.

The acrylic glass ring consists out of 2 pieces, please mount one by one with enclosed stainless steel screws, and align evenly.

