

Assembly instruction

Date: 12.2021

SOFT DELTA SOFT DELTA LIGHT + ACOUSTIC

General remarks on safety

Read all of these instructions before installing fixtures.

- Keep all of the instructions for future reference.
- Turn off power before installing fixture.
- Installation is to be performed by a qualified electrician.
- All installations are to conform to the standards of National Electrical Code as well as all local jurisdictional codes and regulations.
- Any modification of the luminaire will void any and all written or implied warranties.
- Do not open the luminaire - this will void the IP rating
- The manufacturer accepts no responsibility for damage to persons or property arising through improper use or installation.

THIS PRODUCT MUST BE INSTALLED IN ACCORDANCE WITH THE APPLICABLE INSTALLATION CODE BY A PERSON FAMILIAR WITH THE CONSTRUCTION AND OPERATION OF THE PRODUCT AND THE HAZARDS INVOLVED



Warning

- Verify power is off at installation time.
- Injuries caused by electricity are possible

Technical Data:



Size L / W / H mm / inches	Weight kg / lbs Light Fixture	Canopy/ Operating Unit
1340 x 1309 x 80/107 52.7 x 51.5 x 3.1/4.2	14 / 30.9	5 / 11
1735 x 1717 x 80/107 68.3 x 67.5 x 3.1/4.2	17 / 37.5	5 / 11

Mounting Version

Supply line 24 V

 Page 3	 Page 4
 Page 8	 Page 9
 Page 5	 Page 6

BOM

	Part	Quantity
Package 1		
<input checked="" type="checkbox"/>	Aluminium frame with integrated (I) or L-shaped acrylic (L) 3 steel cables and power supply cable	① ② ③ 1 unit
Package 2		
<input type="checkbox"/>	Canopy incl. power supply unit	④ 1 unit
<input type="checkbox"/>	External power supply unit	⑤ 1 unit
<input checked="" type="checkbox"/>	White gloves	⑥ 1 pair
<input type="checkbox"/>	Screwdriver	1 unit
<input type="checkbox"/>	Assembly instructions	1 unit

Dimmer

- Not dimmable
- DMX interface
- Dimmer interface 0-10V
- Dimmer interface 1-10V
- DALI interface
- LUTRON interface
- Bluetooth interface
- Enocœan interface



Assembly instruction

Date: 12.2021

SOFT DELTA
SOFT DELTA LIGHT + ACOUSTIC

Warranty

Use the enclosed assembly instructions for the installation of the lighting fixture. Non-compliance with the assembly instruction will automatically void the warranty.

The persons assigned with the installation of the product are instructed to handle it with the utmost care and safety in order to avoid damages to third parties.

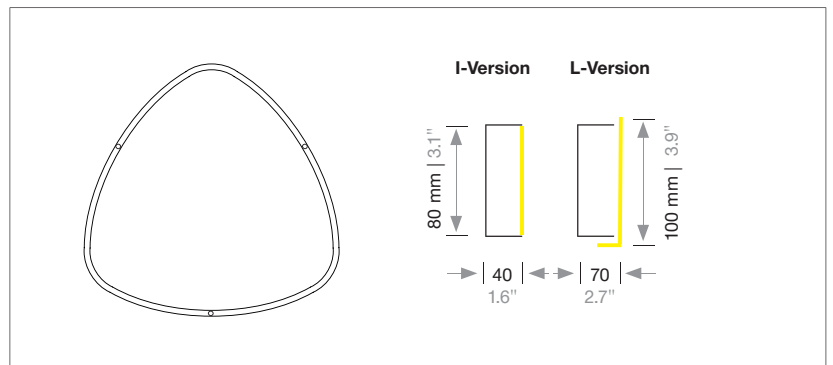
The present light fixture has been tested and is fully operational.



SOFT DELTA, assembly version (A)



SOFT DELTA Light + Acoustic



2 Packages

Consignment consists of 2 packages

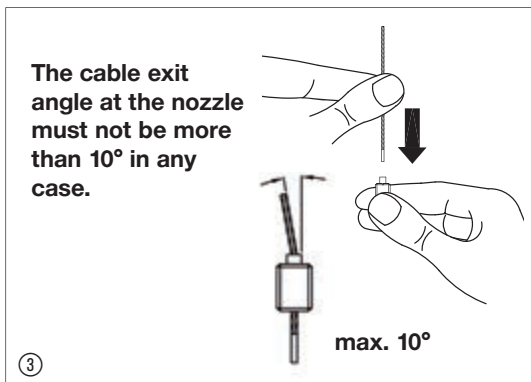
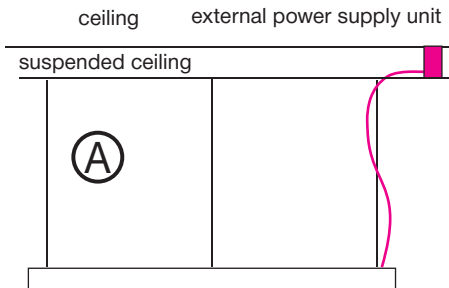
Unpack light fixture and check the parts list to make sure it is complete. Use the provided gloves for fitting the light fixture in order to keep polished surfaces and the acrylic glass clean.

Do not remove the protective foil until after assembly.

Assembly instruction

Date: 12.2021

SOFT DELTA
SOFT DELTA LIGHT + ACOUSTIC



Light fixture with steel cable suspension – Connection of the light fixture with external power supply unit

Mounting of the cable grippers, installation of the light fixture



Make sure the ceiling has sufficient support capacity!

1. Mark the 3 anchor positions of the light fixture on the ceiling according to the drilling template on page 7.
2. Drill Ø 6mm / 1/4" holes, insert anchors and fasten steel cable holders, see pictures ① + ②.



The steel cable grippers cannot be used for outdoor areas. Make sure cables are not damaged. Prior to mounting, the nozzle of the steel cable bracket has to have noticeable spring pressure. In order to ensure full suspension, the steel cables have to be clean and free from greases, oils and rust. The steel cable grippers can only be used in connection with the provided fixation cables for stationary and static loads, see picture ③

3. Insert the cables which have been pre-attached to the light fixture in the steel cable grippers.
4. Lift the light fixture in its desired position and adjust by applying light pressure on the steel cable grippers.
5. If provided, lock the steel cable grippers in place by use of the insulated knurled screw.
6. Shorten excessive steel cables.



Shortened cables can only be replaced by the factory!

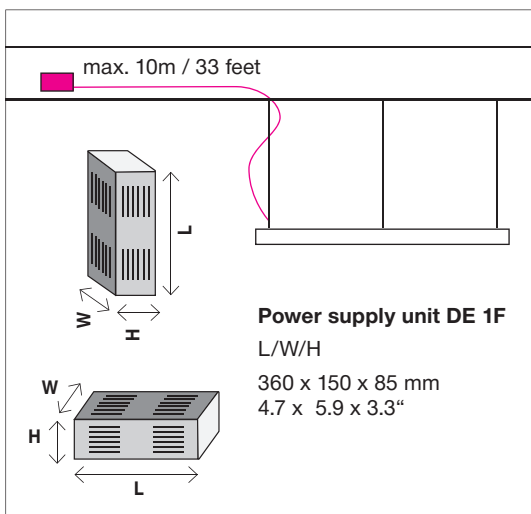
Assembly of the operating unit, connection to light fixture



Mount external power supply unit only in a dry and aerated place!

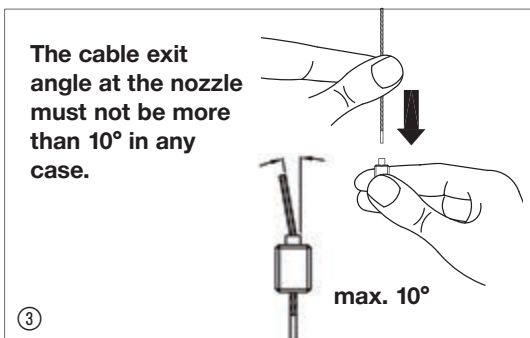
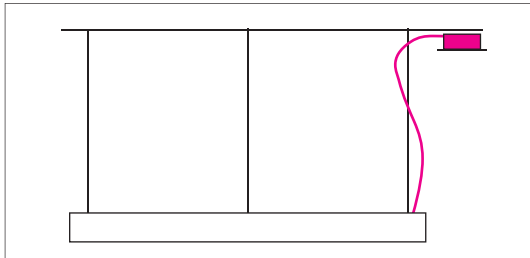
Power supply cable from the operating unit to the light fixture max. 10m / 33 feet

Assembly of external power supply vertically or horizontally (see sketch)



7. Open the housing of the operating unit by loosening the 4 screws.
8. Fasten operating unit sufficiently.
9. Connect primary connection and power supply cable of the light fixture according to the wiring diagram (p.11/12), then fasten the housing of the operating unit again.
10. Check whether the light fixture is functioning.

SOFT DELTA
SOFT DELTA LIGHT + ACOUSTIC



max. 10m / 33 feet

Typ Canopy	size mm / inch	cover plate/ body
DB 290	Ø 290 / 260 mm / 11.4 x 10.2"	1340 x 1309 mm
DB 350	Ø 350 / 320 mm / 13.7 x 12.5"	1735 x 1717 mm

Light fixture with steel cable suspension – Connection of the light fixture with separate canopy

Mounting of the cable grippers, installation of the light fixture



Make sure the ceiling has sufficient support capacity!

1. Mark the 3 anchor positions of the light fixture on the ceiling according to the drilling template page 7.
2. Drill Ø 6mm / 1/4" holes, insert anchors and fasten steel cable holders, see pictures ① + ② .



The steel cable grippers cannot be used for outdoor areas. Make sure cables are not damaged. Prior to mounting, the nozzle of the steel cable gripper has to have noticeable spring pressure. In order to ensure full suspension, the steel cables have to be clean and free from greases, oils and rust. The steel cable gripper can only be used in connection with the provided fixation cables for stationary and static loads, see picture ③

3. Insert the cables which have been pre-attached to the light fixture in the steel cable grippers.
4. Lift the light fixture in its desired position and adjust by applying light pressure on the steel cable grippers.
5. If provided, lock the steel cable grippers in place by use of the insulated knurled screw.
6. Shorten excessive steel cables.



Shortened cables can only be replaced by the factory!

Assembly of the canopy, connection to light fixture



Power supply cable from the operating unit to the light fixture max. 10m / 33 feet

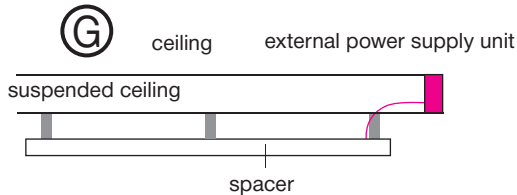
7. Mark the 4 anchor positions of the canopy on the ceiling according to the scale sketch (p. 8). Drill Ø 6mm / 1/4" holes, insert anchors and fasten canopy.
8. Connect primary connection in accordance with the wiring diagram.
9. Insert the power supply cable that has been pre-attached to the light ring in the side of the canopy and connect to the terminal block according to wiring diagram (p.11/12).
10. Mount canopy cover and fasten with screws from the side.
11. Check whether the light fixture is functioning.

Assembly instruction

Date: 12.2021

SOFT DELTA
SOFT DELTA LIGHT + ACOUSTIC

**Direct ceiling mounting –
Connection of the light fixture
with with external power supply unit**



Mounting of the ceiling support



Make sure the ceiling has sufficient support capacity!

1. Mark the 3 anchor positions of the light fixture on the ceiling according to the drilling template page 7.
2. Drill \varnothing 6mm / 1/4" holes, insert anchors and fasten ceiling spacers (50 mm), see pictures ①+ ②.
3. Insert the bolts which have been pre-attached to the light fixture, in the ceiling spacer.
4. Fasten with the locking screw on the side ③.



Assembly of the operating unit, connection to light fixture

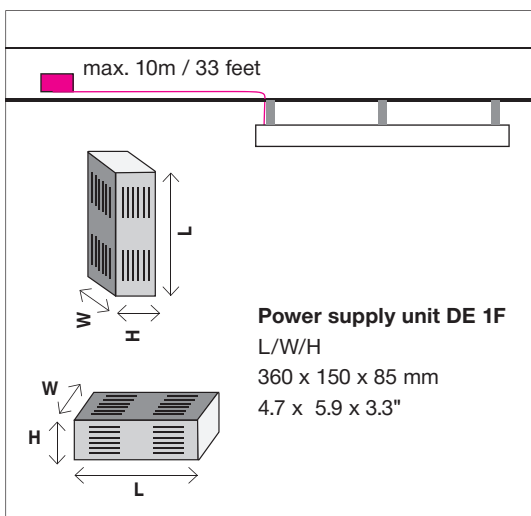
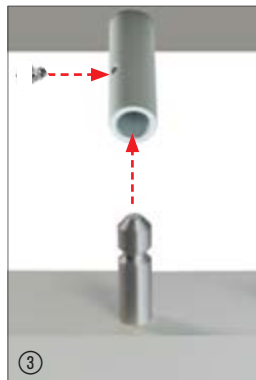


Mount operating unit only in a dry and aerated place!

Power supply cable from the operating unit to the light fixture max. 10m / 33 feet

Fixation of power supply unit unit vertically or horizontally (see sketch)

5. Open the housing of the operating unit by loosening the 4 screws.
6. Fasten power supply unit sufficiently.
7. Connect primary connection and power supply cable of the light fixture according to the wiring diagram (p. 11/12), then fasten the housing of the operating unit again.
8. Check whether the light fixture is functioning.

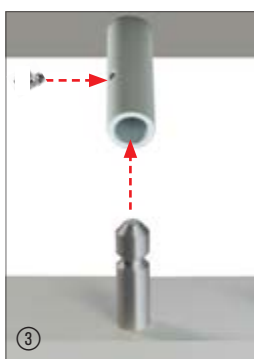
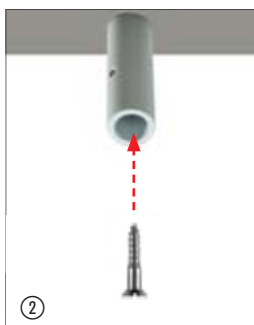
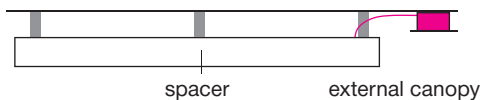


Assembly instruction

Date: 12.2021

SOFT DELTA
SOFT DELTA LIGHT + ACOUSTIC

**Direct ceiling mounting –
Connection of the light fixture
light fixture with separate canopy**



Mounting of the ceiling support



Make sure the ceiling has sufficient support capacity!

1. Mark the 3 anchor positions of the light fixture on the ceiling according to the drilling template page 7.
2. Drill Ø 6mm / 1/4" holes, insert anchors and fasten ceiling spacers (50 mm), see pictures ① + ② .
3. Insert the bolts which have been pre-attached to the light fixture, in the ceiling spacer.
4. Fasten with the locking screw on the side ③..

Assembly of the canopy, connection to light fixture



Power supply cable from the operating unit to the light fixture max. 10m / 33 feet

5. Mark the 4 anchor positions of the canopy on the ceiling according to the scale sketch (p.8). Drill Ø 6mm / 1/4" holes, insert anchors and fasten canopy.
6. Connect primary connection in accordance with the wiring diagram.
7. Insert the power supply cable that has been pre-attached to the light ring in the side of the canopy and connect to the terminal block according to wiring diagram (11/12).
8. Mount canopy cover and fasten with screws from the side.
9. Check whether the light fixture is functioning.

max. 10m / 33 feet

Ø body

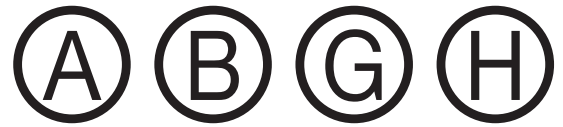
Ø cover plate

Typ Canopy	size mm / inch	coverplate/ body
DB 290	Ø 290 / 260 mm / 11.4 x 10.2"	1340 x 1309 mm
DB 350	Ø 350 / 320 mm / 13.7 x 12.5"	1735 x 1717 mm

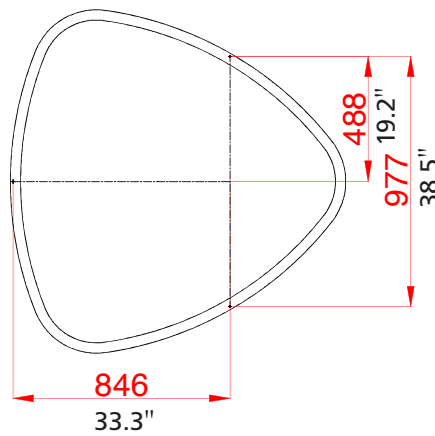
Assembly instruction

Date: 12.2021

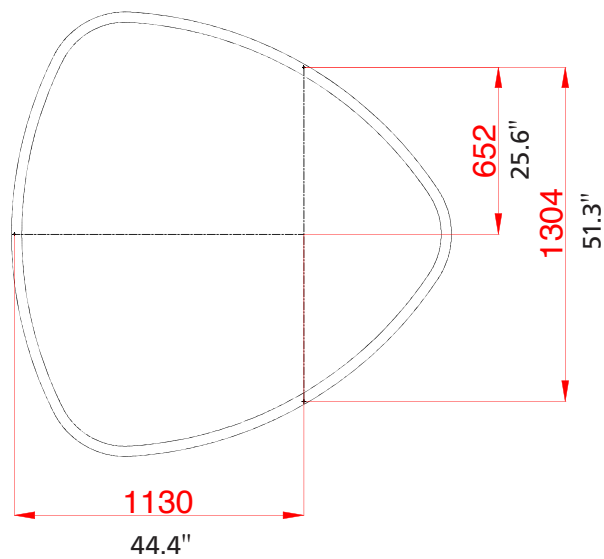
SOFT DELTA
SOFT DELTA LIGHT + ACOUSTIC



Light fixtures with steel cable suspension or ceiling spacers



SOFT DELTA
1340 x 1309 mm / 52.7 x 51.5"
3 Suspension Points

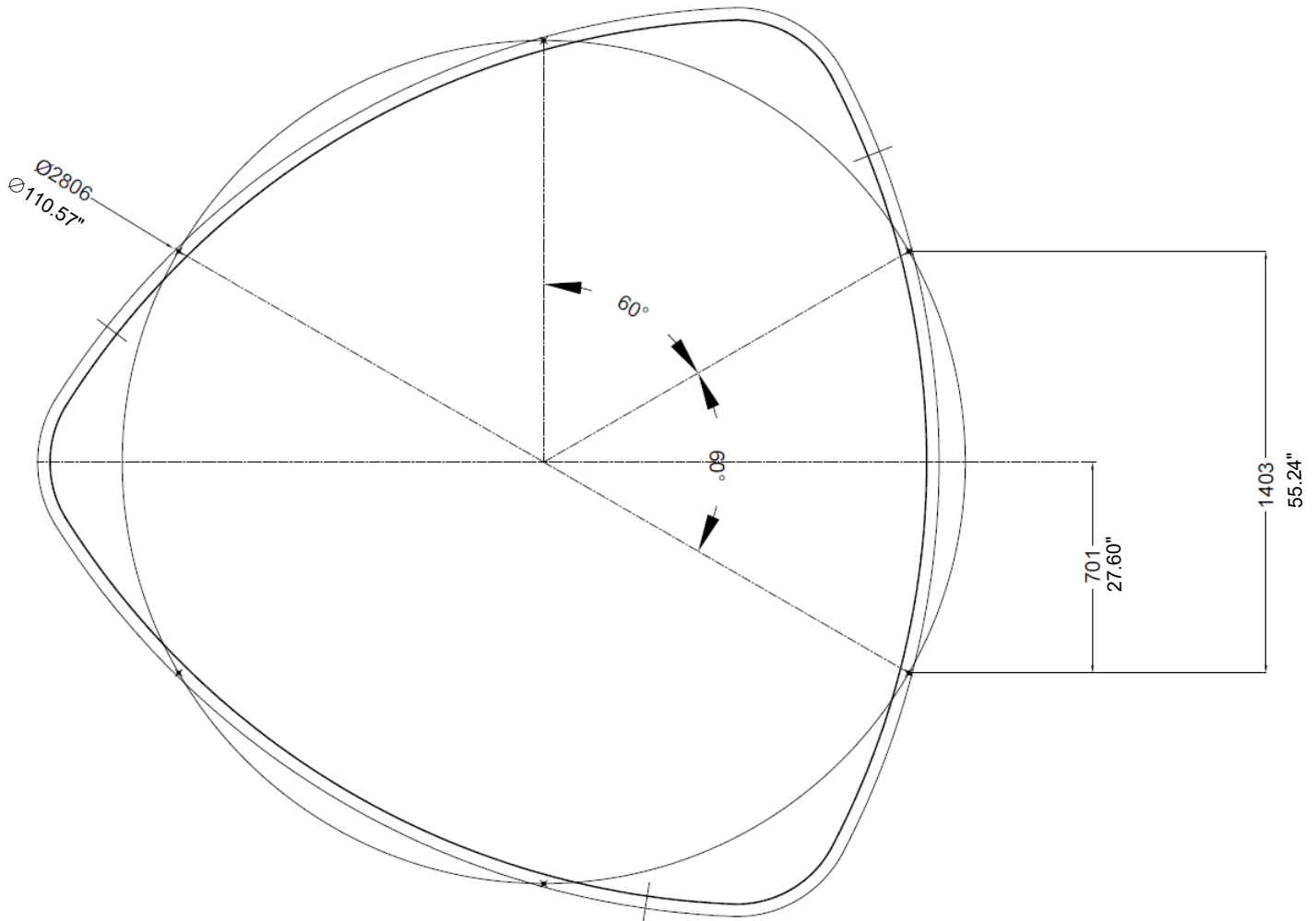
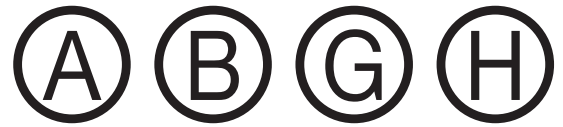


SOFT DELTA
1735 x 1717 mm / 68.3 / 67.5"
3 Suspension Points

Assembly instruction

Date: 12.2021

SOFT DELTA
SOFT DELTA LIGHT + ACOUSTIC



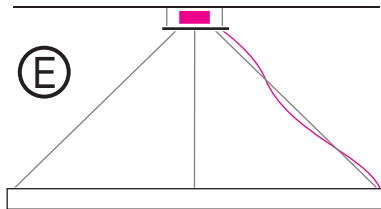
Soft Delta 3024 x 3000 (119.11" x 118.11")

Assembly instruction

Date: 12.2021

SOFT DELTA
SOFT DELTA LIGHT + ACOUSTIC

**Light fixture with canopy –
Connection of the light fixture
with separate power supply cable**



Mounting of the canopy



Make sure the ceiling has sufficient support capacity!

1. Fit the base of the canopy to the ceiling with the 4 mounting points. Ø Drill 6mm / 1/4" holes and anchor to fasten canopy to ceiling (see scale sketch on the left).
2. Connect the power supply and the control signal to the terminal block of the canopy (see wiring diagram page 11/12).

Connection of the light fixture

3. Fix light fixtures with 3 cables to the canopy at the provided cable grippers and align by applying light pressure on the steel cable grippers. Observe minimum / maximum suspension height on page 10.



Consider the polarity of the current-carrying cables in accordance with the markings on the light fixture and the canopy.



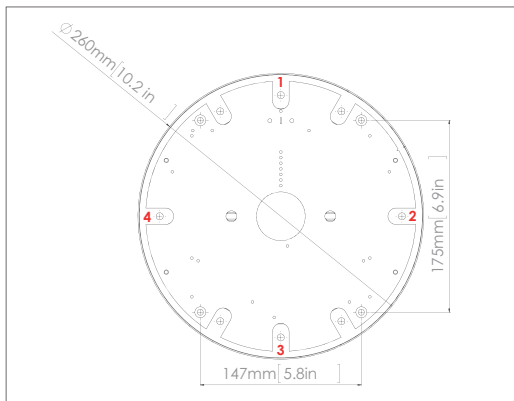
Never adjust the suspension under pressure. The steel cables might get damaged.

4. Lock the cable grippers in place by use of the insulated knurled screw.
5. Shorten excessive steel cables in order to prevent short circuits.

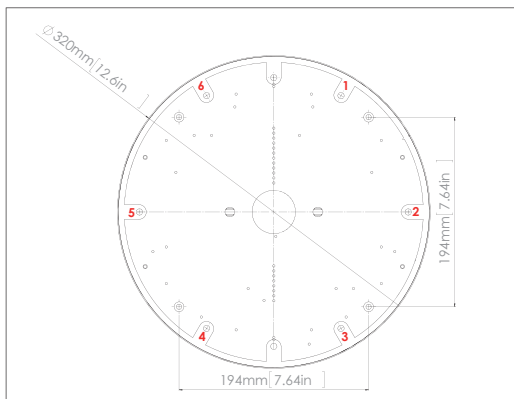


Shortened cables can only be replaced by the factory!

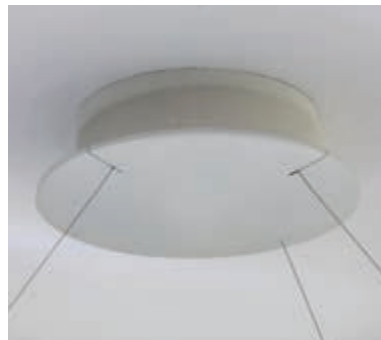
- 6a. Insert the power supply line through the side of the ceiling plate and connect it to the terminal block in accordance with the wiring diagram (p. 11/12).
- 6b (optional) Canopy including light spot: connect pre-assembled connector to canopy.
7. Mount the canopy cover and fasten it with screws from the side.
8. Check whether the light fixture is functioning.



Canopy Ø 290 mm / 11.4" with 3 steel cables



Canopy Ø 350 mm / 13.7" with 3 steel cables



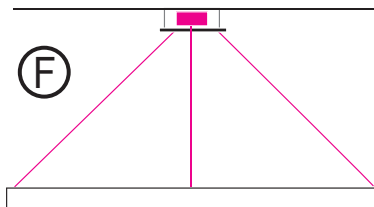
Canopy with mounted cover



Canopy with spot

SOFT DELTA
SOFT DELTA LIGHT + ACOUSTIC

**Light fixture with canopy –
Connection of the light fixture
with current-carrying steel cables**



Mounting of the canopy



Make sure the ceiling has sufficient support capacity!

1. Fit the base of the canopy to the ceiling with the 4 mounting points. Ø Drill 6mm / 1/4" holes and anchor to fasten canopy to ceiling (see scale sketch on the left).
2. Connect the power supply and the control signal to the terminal block of the canopy (see wiring diagram page 13/14).

Connection of the light fixture

3. Fix light fixtures with 3 cables to the canopy at the provided cable grippers and align by applying light pressure on the steel cable grippers. Observe minimum / maximum suspension height on page 10.



Consider the polarity of the current-carrying cables in accordance with the markings on the light fixture and the canopy.



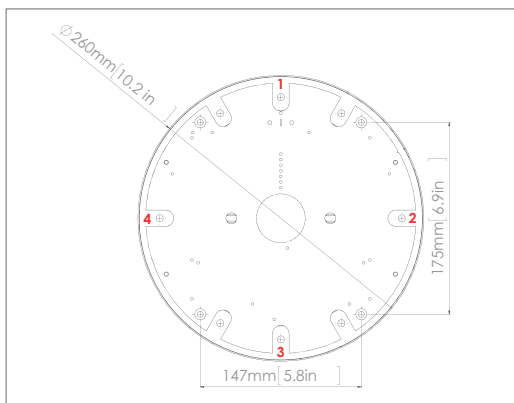
Never adjust the suspension under pressure. The steel cables might get damaged.

4. Lock the cable grippers in place by use of the insulated knurled screw.
5. Shorten excessive steel cables in order to prevent short circuits.

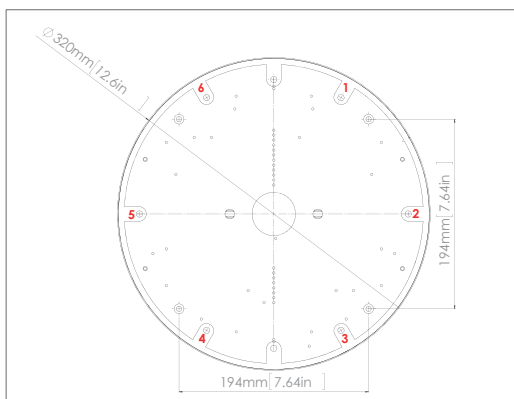


Shortened cables can only be replaced by the factory!

- 6a. (optional) Canopy cover including light spot:
Connect spot with canopy.
- 6.b Mount the canopy cover and fasten it with screws from the side.
7. Check whether the light fixture is functioning.



Canopy Ø 290 mm / 11.4" with 3 steel cables



Canopy Ø 350 mm / 13.7" with 3 steel cables



Canopy with mounted cover



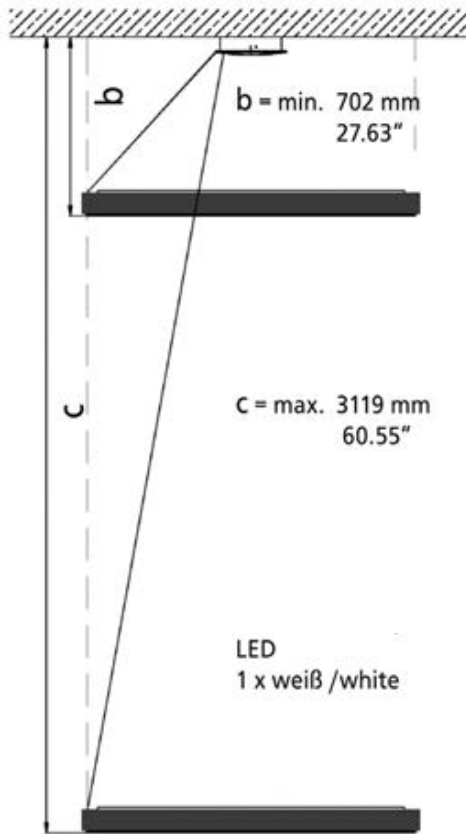
Canopy with spot

SOFT DELTA
SOFT DELTA LIGHT + ACOUSTIC

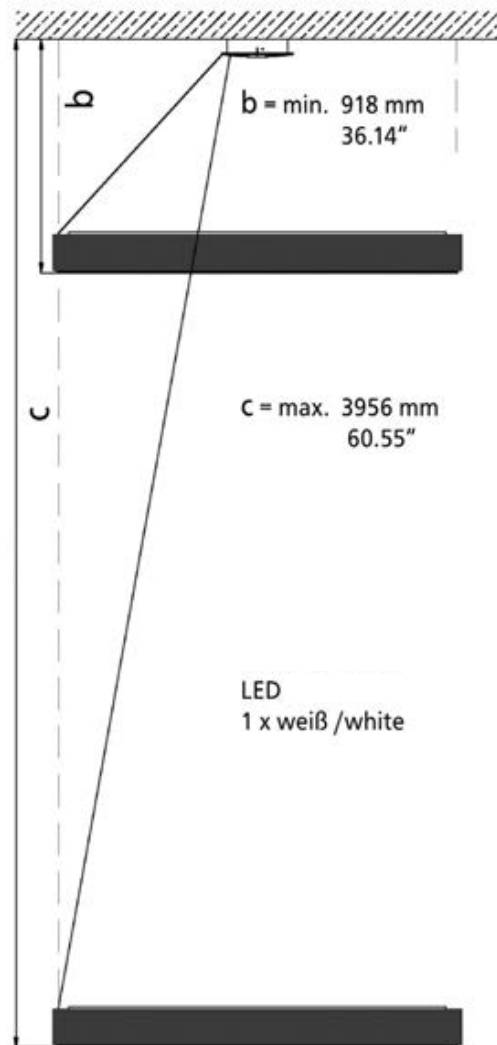


Light fixture with canopy

minimum (b) respectively maximum (c) ceiling suspension



SOFT DELTA
1340 x 1309 mm / 52.7 x 51.5"

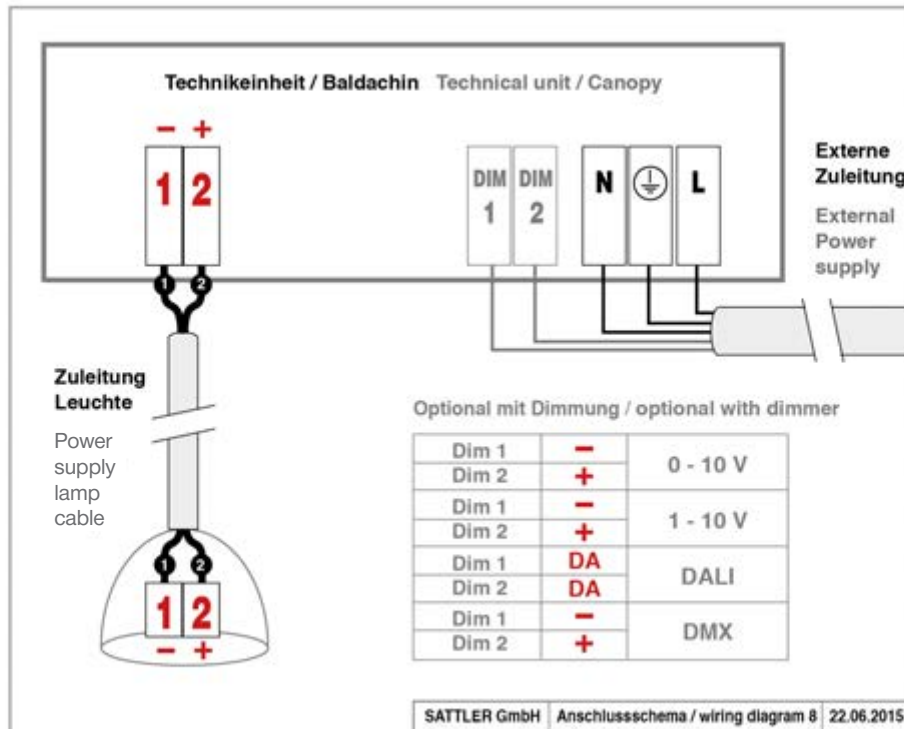


SOFT DELTA
1735 x 1717 mm / 68.3 / 67.5"

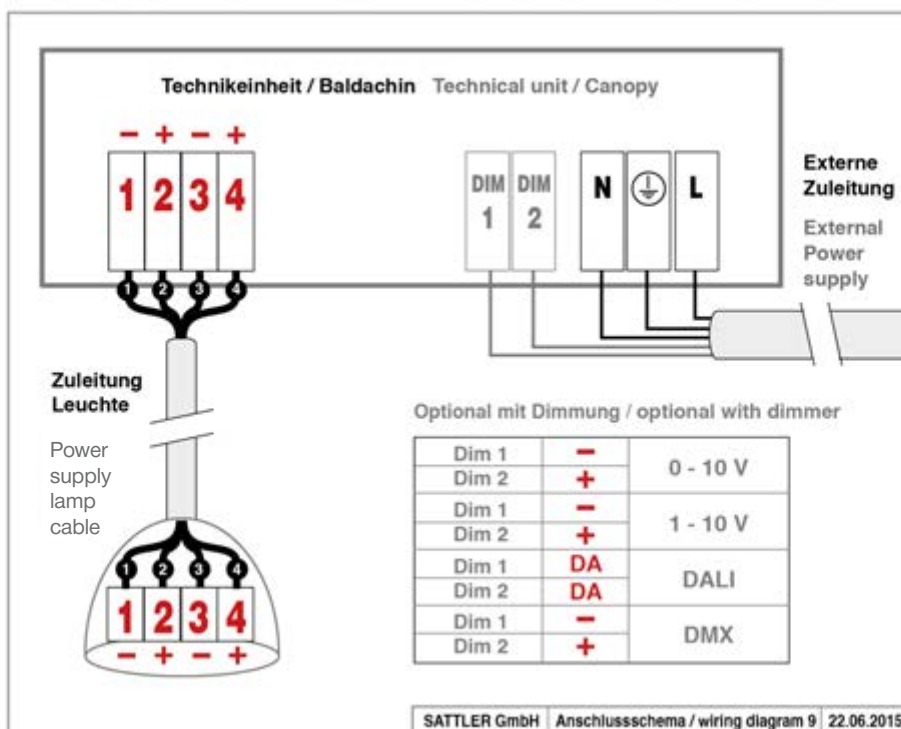
SOFT DELTA
SOFT DELTA LIGHT + ACOUSTIC



Wiring Diagram 1 x LED white



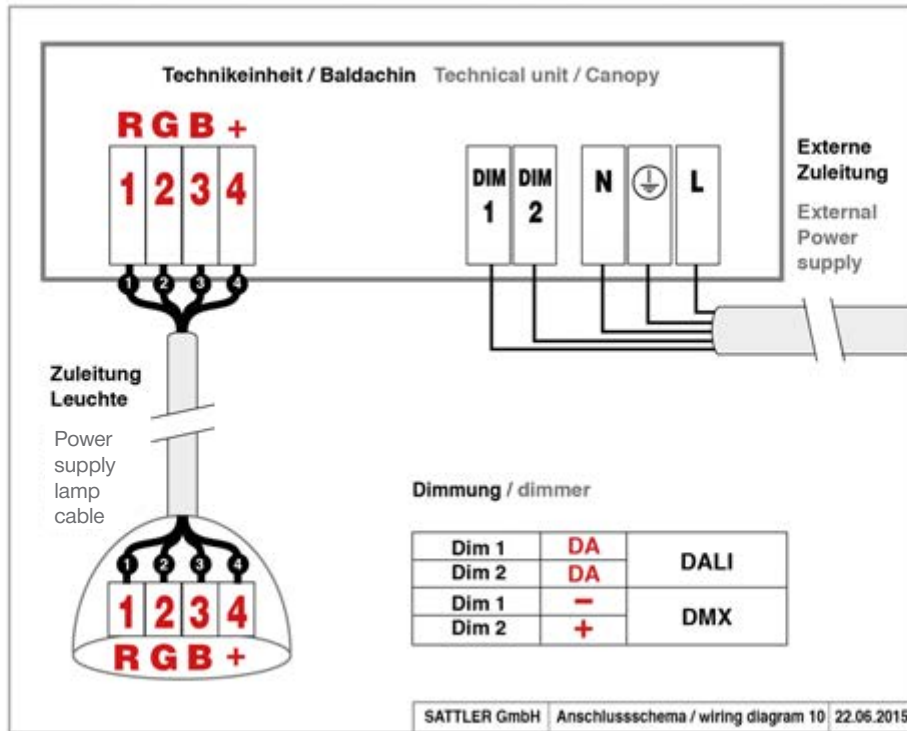
Wiring Diagram 2 x LED white



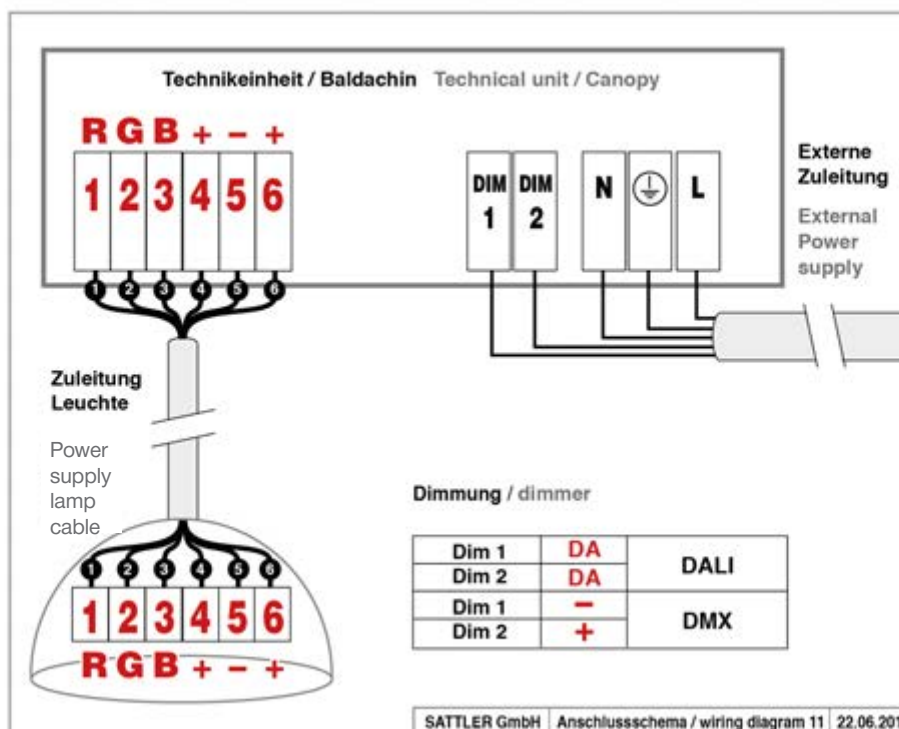
SOFT DELTA
SOFT DELTA LIGHT + ACOUSTIC



Wiring Diagram 1 x LED RGB



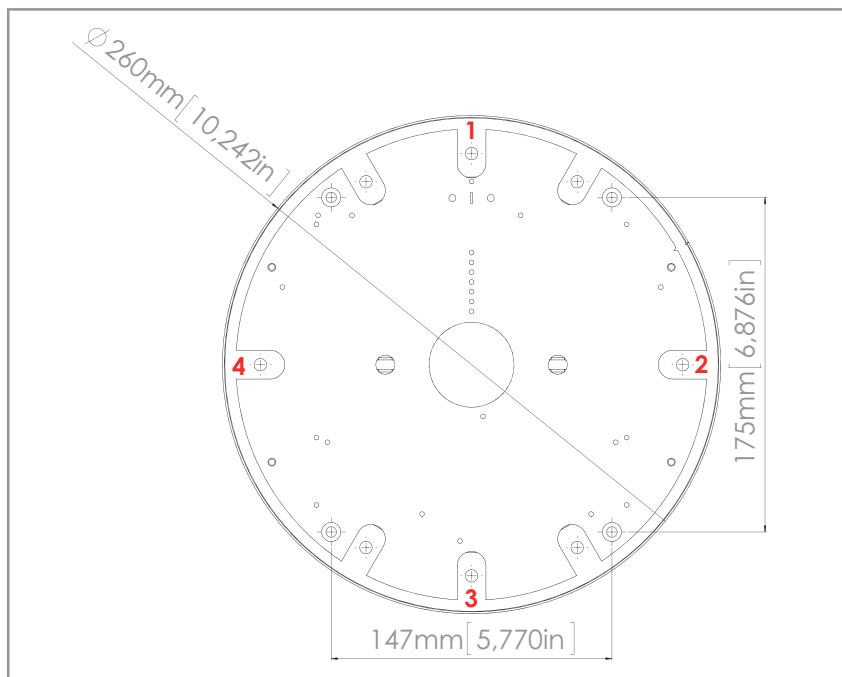
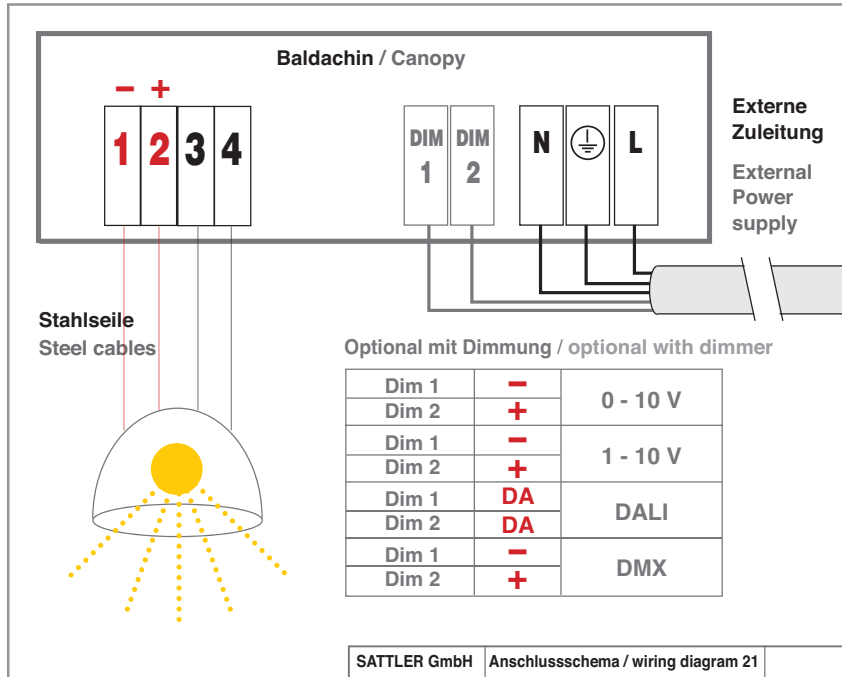
Wiring Diagram 1 x LED RGB + 1 x LED white



SOFT DELTA
SOFT DELTA LIGHT + ACOUSTIC



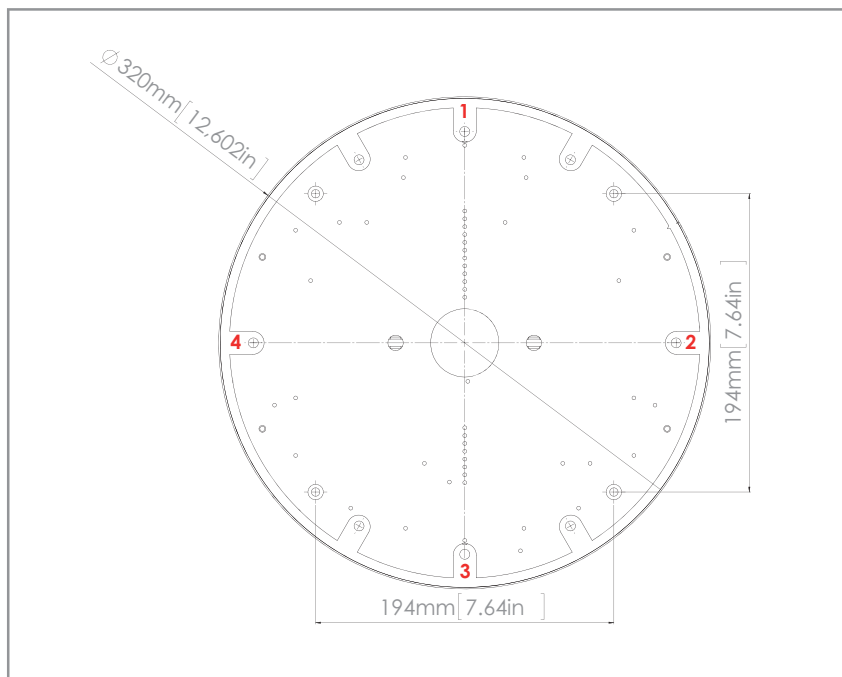
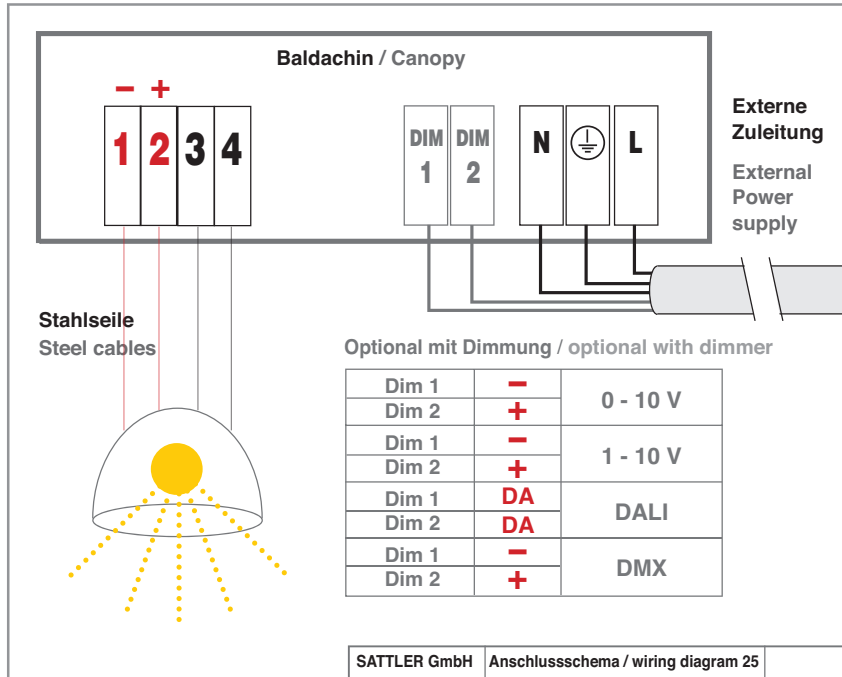
Wiring Diagram LED white / Canopy Ø290



SOFT DELTA
SOFT DELTA LIGHT + ACOUSTIC



Wiring Diagram LED white / Canopy Ø350



We will be glad to assist you with any further questions regarding the assembly of our light fixtures.

Contact: Inter-lux, 3741 Commerce Dr. #306-308, Baltimore, MD 21227. 410-381-1497 www.inter-lux.com

Legal disclaimer: Please make sure to adhere to all safety instructions. Every single assembly step is crucial in order to ensure the safety of the light fixture and the technician. Inter-lux and SATTLER GmbH cannot be held liable for any damages or injuries in case of negligence of safety instructions.