

## Pendant Light CIRCOLO SLIM/MINI

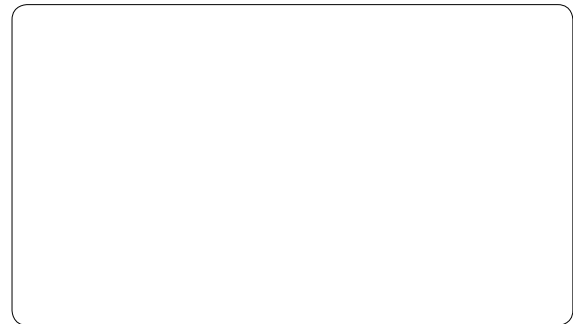
### GENERAL REMARKS ON SAFETY:

Read all of these instructions before installing fixtures.

- Keep all of the instructions for future reference.
- Turn off power before installing fixture.
- Installation is to be performed by a qualified electrician only.
- All installations are to conform to the standards of National Electrical Code as well as all local jurisdictional codes and regulations.
- Any modification of the luminaire will void any and all written or implied warranties.
- Do not open the luminaire - this will void the IP rating
- The manufacturer accepts no responsibility for damage to persons of property arising through improper use or installation.

THIS PRODUCT MUST BE INSTALLED IN ACCORDANCE WITH THE APPLICABLE INSTALLATION CODE BY A PERSON FAMILIAR WITH THE CONSTRUCTION AND OPERATION OF THE PRODUCT AND THE HAZARDS INVOLVED

### Technical data:

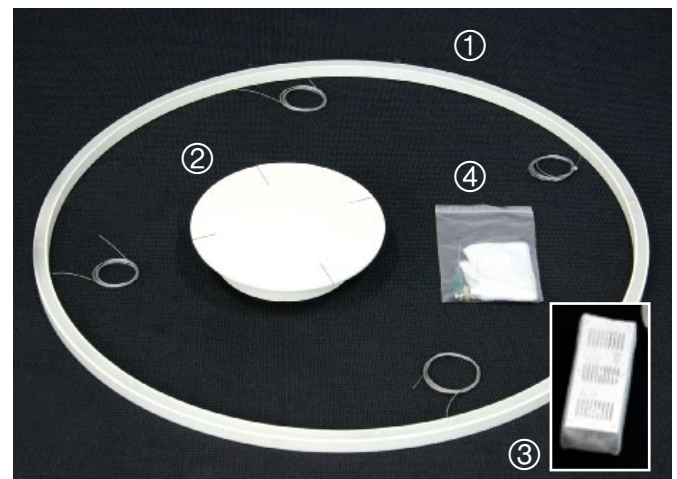


#### Frame

Circular aluminum profile, internal opal acrylic

Dimensions	Fixture Weight	Canopy Weight
Ø 900 H 37	4.0 kg	2 kg
Ø 1240 H 37	5.5 kg	2 kg
Ø 1550 H 37	6.0 kg	2 kg
Ø 1900 H 37	7.0 kg	2 kg
Ø 35.4" H 1.5"	8.8 lbs	4.4 lbs
Ø 48.8" H 1.5"	12.1 lbs	4.4 lbs
Ø 61.0" H 1.5"	13.2 lbs	4.4 lbs
Ø 74.8" H 1.5"	15.4 lbs	4.4 lbs

BOM	quantity
Package 1, housing	
Aluminum ring-frame with acrylic-ring 4 steel cable suspensions ①	1 unit
Package 2, canopy, 1 or remote power supply	2 unit
<input type="checkbox"/> Canopy frame with technical part ②	1 unit
<input type="checkbox"/> Canopy cover ②	1 unit
<input type="checkbox"/> Power supply unit ③	1 unit
<input type="checkbox"/> Gloves, white	1 pair
<input type="checkbox"/> Screwdriver	1 unit
<input type="checkbox"/> Assembly instruction ④	1 unit
<input type="checkbox"/> RGB, X-Fade 6-channel	1 unit
<input type="checkbox"/> RGB, Multidimmer Infrared	1 unit
<input type="checkbox"/> White, Dimmer 1-10 V	1 unit



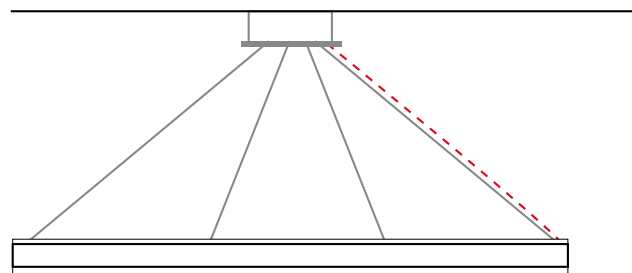
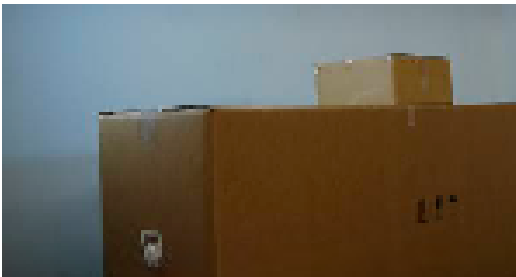
## Pendant Light CIRCOLO SLIM/MINI



### Warranty

Use the enclosed assembly instructions for the installation of the lighting fixture. Non-compliance of the assembly instruction will automatically void the warranty.

The supplied light fixture has been tested and is fully operational.



### Delivery contains 2 packages

Unpack the light fixture and check the bill of material.

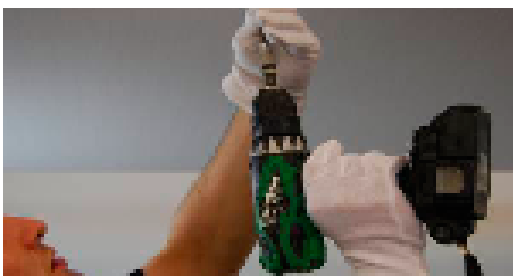
Use enclosed cloth gloves to prevent smudging of polished frame, screws and acrylic.

#### 1. Mark anchor positions

Mark anchor position of your canopy on the ceiling according to drilling template, drill the anchor points with  $\varnothing 1/4"$  (6mm) anchors. Alternatively, mount canopy to octagonal j-box.

#### 2. Installation of canopy

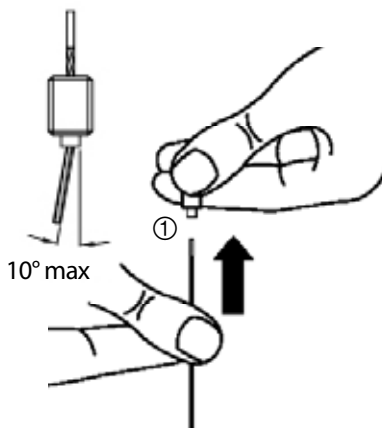
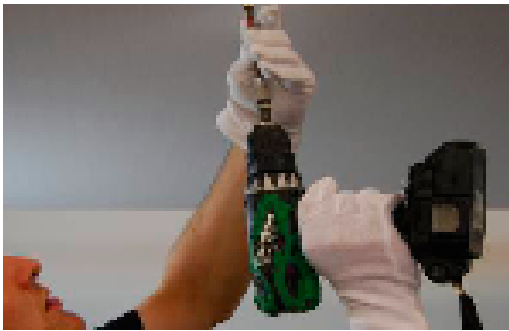
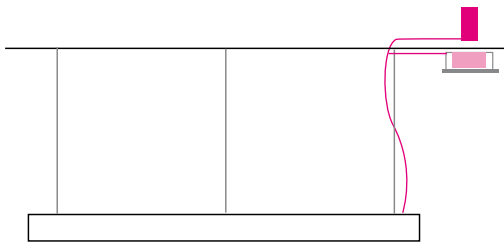
Attach canopy to j-box or ceiling. Pull the power supply cable through the  $1 1/4"$  (31.75mm) hole and make connections.



## Pendant Light CIRCOLO SLIM/MINI



1. Installation suspension with remote power supply unit in suspended ceiling or separate canopy



### 1.1 Attachment of steel cable suspension

Mark anchor position of your light fixture on the ceiling according to drilling template (next page).

Pre-drill the anchor points with  $\varnothing 1/4"$  (6mm), mount the anchor and attach the steel cable bracket. Make sure to check that the load capacity of the ceiling is sufficient.

The steel cable bracket supports static loads. Requirement for safe use is an anchor with a minimum load rating of 99 lbs.

Insert the upper ends of the steel cable to the pre-mounted steel cable brackets on the ceiling. Through soft pressure on the spring-loaded nozzle of the steel cable bracket it is smoothly adjustable upward or downward to the desired position. As soon as there is load on the steel cable bracket, it will secure itself and it won't slide in any directions.

To adjust it again: lift the light fixture to relieve load of the steel cable brackets, give a soft push with your finger to the nozzle ①, now it is adjustable to any position.

Please make sure that the steel cable is inserted at least so far that it is visible at the lower end of the pre-mounted bracket. If required cut extra cable.

### Note:

The steel cable brackets are just for indoor use. The nozzle of the steel cable bracket must show noticeable spring loaded pressure. To ensure the full load capacity the cables shouldn't be greasy or rusty.

The steel cable brackets are just for use of supplied steel cables at static load.

The exit angle of the steel cable at the nozzle should on no account be more than 10°.

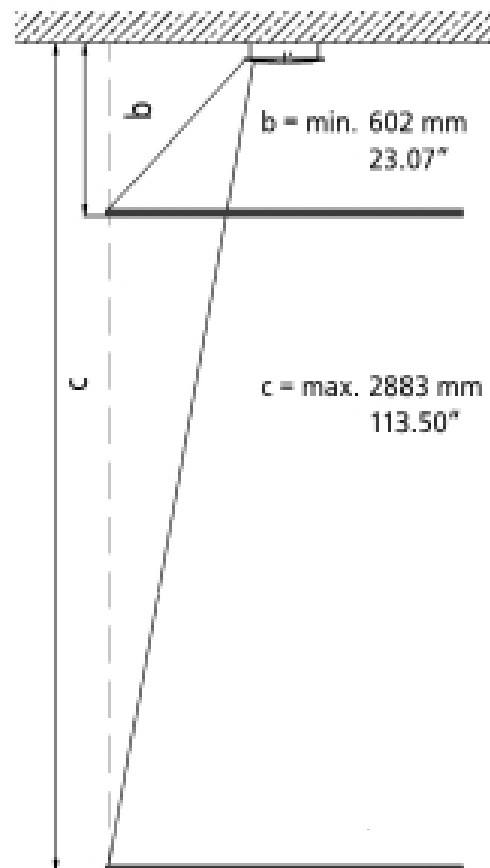
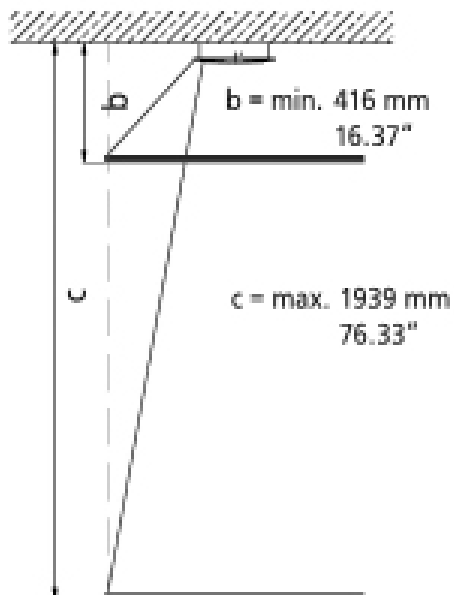


## Pendant Light CIRCOLO SLIM/MINI

Ø 900 mm / 35.4"

Ø 1240 mm / 48.8"

With canopy - min. (b) approx. max. (c) distance from ceiling

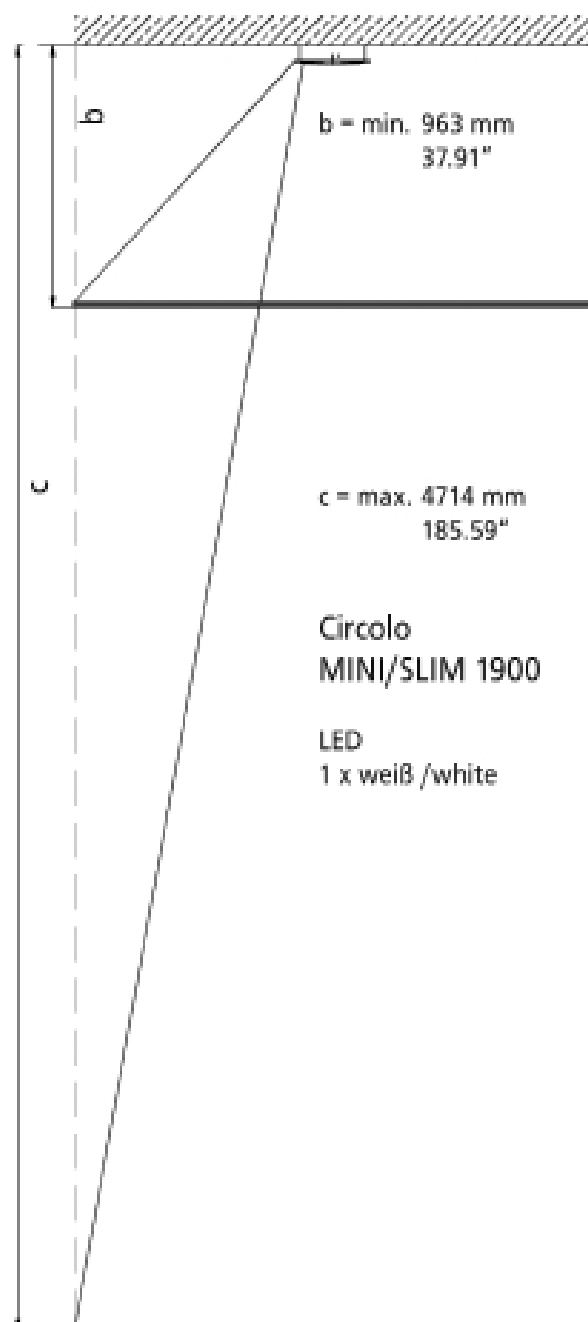
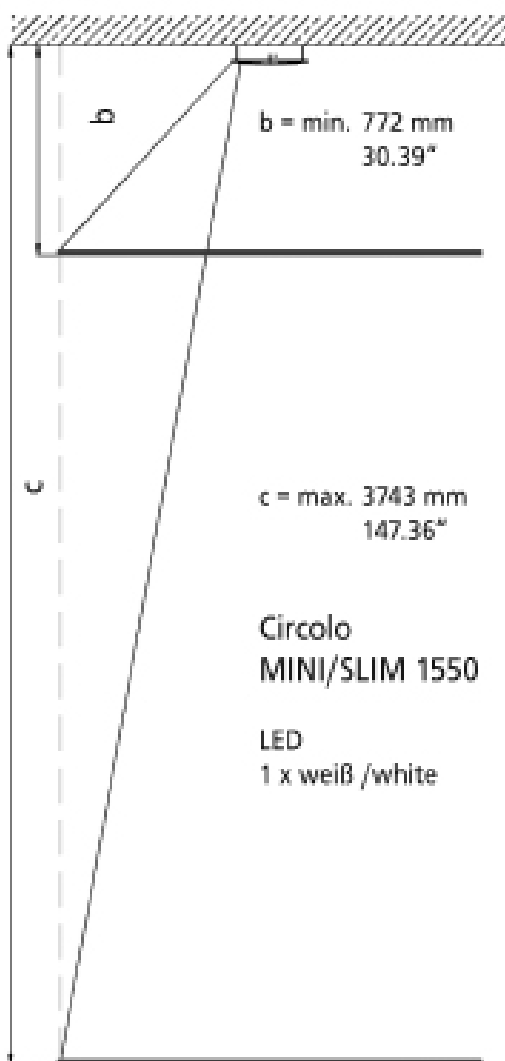


## Pendant Light CIRCOLO SLIM/MINI

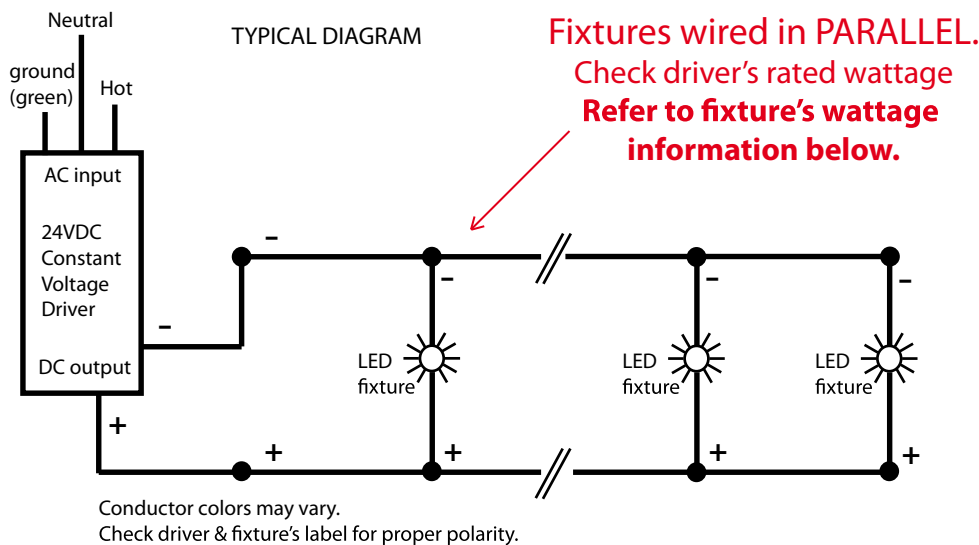
Ø 1550 mm / 61.0"

Ø 1900 mm / 74.8"

With canopy - min. (b) approx. max. (c) distance from ceiling



Wiring Key Points	
1.	This product shall be installed by a qualified electrician.
2.	Make sure the main power supply to the driver is turned off when wiring either the LEDs or driver.
3.	LEDs shall be wired in parallel as shown in wiring diagram. CAUTION: incorrect wiring may damage LEDs.
4.	Wire shall be #18AWG stranded minimum. Large gauge wire shall be used to limit voltage drop in order to maintain the proper operating voltage. Take every precaution to avoid interference from other electrical circuits and equipment.
5.	Dimming circuits are more sensitive to voltage drop and electrical interference from other electrical sources.
6.	Isolating LED wiring by dedicated circuit for each control zone is recommended.
7.	Contractor shall verify the fixture quantities connected to the driver are compatible with the driver's specifications prior to energizing the circuit.
8.	All Class II power cable remote wiring and driver enclosures by others.
<b>LED's can be permanently damaged if these points are not followed</b>	



Maximum wiring distance\*

Wire gauge	Load per driver		
	≤48W	≤72W	≤96W
#18AWG	37'	25'	18'
#16AWG	59'	39'	29'
#14AWG	95'	63'	47'
#12AWG	151'	101'	75'
#10AWG	241'	160'	120'

\* Voltage drop guide for 24VDC. Actual Voltage drop to be calculated by installer.