



FILIX

Innovative architectural LED **2015**

inter•lux

FILIX

LED Products that fit seamlessly within the architecture, both indoor and outdoors, to provide the designed illumination. Quality materials such as crystal clear, tempered glass and stainless steel to live successfully in the elements. Sustainable design based on the right materials, engineering and maintainable components for the life of the installation. Products engineered for use worldwide, above and below the waterline.



























**engineered for outdoor environments,
detailed for the indoors**

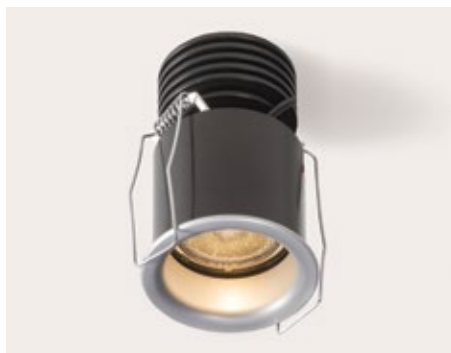
inter•lux

Inter-lux has curated a collection of lighting products that represent the best in international design. Inter-lux is sensitive to the demands of the North American Market. We know exactly how you need your product: in time, in budget, and all backed up with only the very best in pre and post order service.

tools for lighting

Table of Contents

 RDL35 2	 SQ100 PAVER 12	 STEP UP WALLWASH 30
 RDL35A 3	 RD100 DECO 14	 LINE 32
 RD35 DECO 4	 RD100 PAVER 16	 FLEX 34
 RD35 PAVER 5	 SQ150 PAVER 18	 OFFICE DECO 36
 SQ35 DECO 6	 RC150 PAVER 20	 OFFICE 38
 SQ35 PAVER 7	 SQ300 PAVER 22	 ARPOOLS 40
 SNAKE DECO 8	 STEP UP 24	 ARPOOL M 42
 SNAKE PAVER 9	 STEP UP SLIM 26	 ARPOOL L 44
 SQ100 DECO 10	 STEP UP DECO 28	



Ordering Information ¹					
Model	Power ²	Color	Optics	Finish	Options
FX RDL35					
FX RDL35	L M H	27 30 35	SP FL W	S W	HX AL DL

¹Specify remote power supply separately below. ²H recommended for higher ambient light environs.

Luminaire

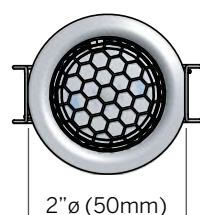
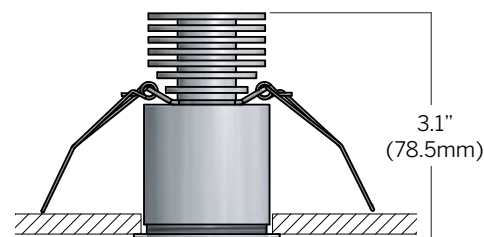
- Round recessed downlight with high performance optics
- Sustainable design
- Suitable for damp indoor and wet locations outdoor under canopy
- Regressed lens for glare reduction
- Honeycomb louver and diffusing lens options
- Aluminum construction with snap in installation
- Ceiling thickness: min 0.04" (1mm) max 1" (25mm)
- Supplied with standard cable 4" (100mm) with IP20 connector

Size

- 2"ø (50mm) x 3.1" H (78.5mm)

Power²

- L = 2.3W, 3000K, 210 lm, 200mA
- M = 4.1W, 3000K, 350 lm, 350mA
- H = 6W, 3000K, 480 lm, 500mA



cutout dimension 1.4"ø (36mm)

Color Temperature

- 27 = 2700K
- 30 = 3000K
- 35 = 3500K
- 2 Step MacAdam
- CRI: > 85

Optics

- SP = spot - 26°
- FL = flood - 42°
- W = wide - 60°

Finish

- S = anodized Silver
- W = white RAL9010

Options

- HX = honeycomb louver
- AL = 20° tilt lens
- DL = diffusing lens

Power Supply (Remote)

Non-Dim

- D-530-35001: 350MA, 4.1W, 120/277V, No enclosure (1 fixture per driver)
- D-530-50019: 500MA, 6W, 120/277V, No enclosure (1 fixture per driver)

Dim (Non-dim for multiple fixtures)³

- IL-JB-LED-20002-UNV-D010: EldoLED 1% 0-10V dimmable, 50W, 200mA, Dry location enclosure (1-6 fixtures per driver⁴)
- D-530-20003: EldoLED CC Driver, 1% 0-10V dimmable, 100W, 200mA, No enclosure (1-12 fixtures per driver⁵)

- IL-JB-LED-35009-UNV-D010: EldoLED 1% 0-10V dimmable, 50W, 350mA, Dry location enclosure (1-6 fixtures per driver⁴)
- D-530-35016: EldoLED CC Driver, 1% 0-10V dimmable, 100W, 350mA, No enclosure (1-12 fixtures per driver⁵)
- IL-JB-LED-50003-UNV-D010: EldoLED 1% 0-10V dimmable, 50W, 500mA, Dry location enclosure (1-6 fixtures per driver⁴)
- D-530-50008: EldoLED CC Driver, 1% 0-10V dimmable, 100W, 500mA, No enclosure (1-12 fixtures per driver⁵)

Enclosure by others. Im80 values shown.

³ Consult Factory for Lutron drivers. Available for 1 or 2 fixtures per driver ONLY.

⁴ 50W drivers: 2 outputs, up to 3 fixtures wired in series per output (6 fixtures total).

⁵ 100W drivers: 4 outputs, up to 3 fixtures wired in series per output (12 fixtures total).

Optional enclosures available.



Ordering Information ¹					
Model	Power ²	Color	Optics	Finish	Options
FX RDL35A					
FX RDL35A	L M H	27 30 35	SP FL W	S W	HX AL DL

¹Specify remote power supply separately below. ²H recommended for higher ambient light environs.

Luminaire

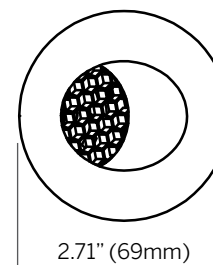
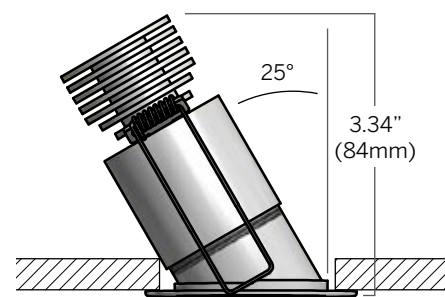
- Asymmetric recessed downlight with high performance optics
- Sustainable design
- Suitable for damp indoor and wet locations outdoor under canopy
- Regressed lens for glare reduction
- Diffused lens with smooth beam pattern standard
- Aluminum construction with snap in installation
- Ceiling thickness: min 0.04" (1mm) max 1" (25mm)
- Supplied with standard cable 4" (100mm) with IP20 connector

Size

- 2.71"ø (69mm) x 3.34" H (84mm)

Power²

- L = 2.3W, 3000K, 210 lm, 200mA
- M = 4.1W, 3000K, 350 lm, 350mA
- H = 6W, 3000K, 480 lm, 500mA



cutout dimension 2.36"ø (60mm)

Color Temperature

- 27 = 2700K
- 30 = 3000K
- 35 = 3500K
- 2 Step MacAdam
- CRI: > 85

Optics

- SP = spot - 26°
- FL = flood - 42°
- W = wide - 60°

Finish

- S = anodized Silver
- W = white RAL9010

Options

- HX = honeycomb louver
- DL = diffusing lens

Power Supply (Remote)

Non-Dim

- D-530-35001: 350MA, 4.1W, 120/277V, No enclosure (1 fixture per driver)
- D-530-50019: 500MA, 6W, 120/277V, No enclosure (1 fixture per driver)

Dim (Non-dim for multiple fixtures)³

- IL-JB-LED-20002-UNV-D010: EldoLED 1% 0-10V dimmable, 50W, 200mA, Dry location enclosure (1-6 fixtures per driver⁴)
- D-530-20003: EldoLED CC Driver, 1% 0-10V dimmable, 100W, 200mA, No enclosure (1-12 fixtures per driver⁵)

- IL-JB-LED-35009-UNV-D010: EldoLED 1% 0-10V dimmable, 50W, 350mA, Dry location enclosure (1-6 fixtures per driver⁴)
- D-530-35016: EldoLED CC Driver, 1% 0-10V dimmable, 100W, 350mA, No enclosure (1-12 fixtures per driver⁵)
- IL-JB-LED-50003-UNV-D010: EldoLED 1% 0-10V dimmable, 50W, 500mA, Dry location enclosure (1-6 fixtures per driver⁴)
- D-530-50008: EldoLED CC Driver, 1% 0-10V dimmable, 100W, 500mA, No enclosure (1-12 fixtures per driver⁵)

Enclosure by others. Im80 values shown.

³ Consult Factory for Lutron drivers. Available for 1 or 2 fixtures per driver ONLY.

⁴ 50W drivers: 2 outputs, up to 3 fixtures wired in series per output (6 fixtures total).

⁵ 100W drivers: 4 outputs, up to 3 fixtures wired in series per output (12 fixtures total).

Optional enclosures available.



Ordering Information ¹						
Model	Power	Color	Optics	Voltage	Options	Housing
FX RDD35				24		
FX RDD35	L H	27 30 40	SP SP20 FL FL20 GR	24	TR HX DL C20 C30	C T

¹Specify remote power supply separately below.

Luminaire

- Round LED uplight with high performance optics for outdoor and indoor use
- Trimless for seamless integration into grade; optional stainless steel trim
- Snap in installation with no exposed hardware
- Sustainable design with replaceable LED module
- Regressed LED for glare reduction, louver and lens options
- UL STD 1598, wet location; Concrete housing: walkover rated 1500 lb; Tiles housing: driveover rated 3000 lb
- Aluminum construction, direct concrete pour housing, with clear tempered glass
- Supplied with oil and water resistant 1' feed cable standard, 18/2 AWG

Size

- 1.53"ø (39mm) x 4" H (100mm) standard trimless
- 1.77"ø (45mm) x 4" H (100mm) with optional trim

Power

- L = 1.2W, 3000K, 100 lm
- H = 3W, 3000K, 300 lm

Power Supply (Remote)

- Non-Dim**
- D-520-24007: Osram 96W, 24VDC, 120-277VAC
- Dim**
- D-520-24006: Osram 10% 0-10V dimming, 96W, 24VDC, 120-277VAC
 - IL-JB-LED-24003-120V-DFPN: Lutron LTE 1% Forward Phase (with neutral) dimming, 5-40W, 24VDC, 120VAC, Case K, dry location enclosure

Color Temperature

- 27 = 2700K
- 30 = 3000K
- 40 = 4000K
- 2 Step MacAdam
- CRI: > 85

Optics

- SP = spot - 11°
- SP20 = spot - 11°, 20° tilt
- FL = flood - 41°
- FL20 = flood - 41°, 20° tilt
- GR = graze - 13° x 41°

Voltage

- 24 = 24VDC fixture voltage

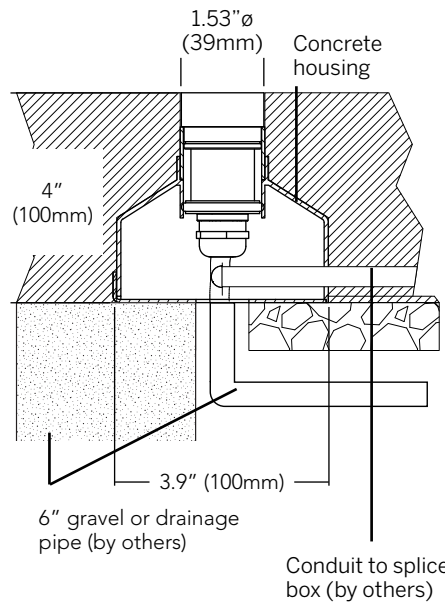
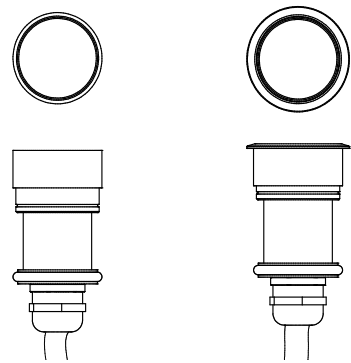
Options

- TR = stainless steel 304 trim, size: 0.12" (3mm)
- HX = honeycomb louver
- DL = diffused lens
- C20 = 20'(6m) feed cable
- C30 = 30'(9m) feed cable

Housing

- C = concrete
- T = tiles

Trimless (standard) 1.53"ø (39mm)
Trim (optional - TR) 1.77"ø (45mm)



No enclosure, unless stated. Im80 values shown.



Ordering Information ¹						
Model	Power ²	Color	Optics	Voltage	Options	Housing
FX RDP35				24		
FX RDP35	L H	27 30 40	LL	24	TR C20 C30	C T

¹Specify remote power supply separately below. ²H recommended for higher ambient light environs.

Luminaire

- Round LED paver for outdoor and indoor use, floor and wall installation
- Even illumination lens
- Trimless for seamless integration into grade; optional stainless steel trim
- Snap in installation with no exposed hardware
- Sustainable design with replaceable LED module
- Regressed LED for glare reduction, louver and lens options
- UL STD 1598, wet location; Concrete housing: walkover rated 1500 lb; Tiles housing: driveover rated 3000 lb
- Aluminum construction, direct concrete pour housing, with diffused tempered glass
- Supplied with oil and water resistant 1' feed cable standard, 18/2 AWG

Size

- 1.53"ø (39mm) x 4" H (100mm) standard trimless
- 1.77"ø (45mm) x 4" H (100mm) with optional trim

Power Supply (Remote)

- Non-Dim**
- D-520-24007: Osram 96W, 24VDC, 120-277VAC
- Dim**
- D-520-24006: Osram 10% 0-10V dimming, 96W, 24VDC, 120-277VAC
 - IL-JB-LED-24003-120V-DFPN: Lutron LTE 1% Forward Phase (with neutral) dimming, 5-40W, 24VDC, 120VAC, Case K, dry location enclosure

Power²

- L = 1.2W, 3000K, 80 lm
- H = 3W, 3000K, 250 lm

Color Temperature

- 27 = 2700K
- 30 = 3000K
- 40 = 4000K
- 2 Step MacAdam
- CRI: > 85

Optics

- LL = line of light

Voltage

- 24 = 24VDC fixture voltage

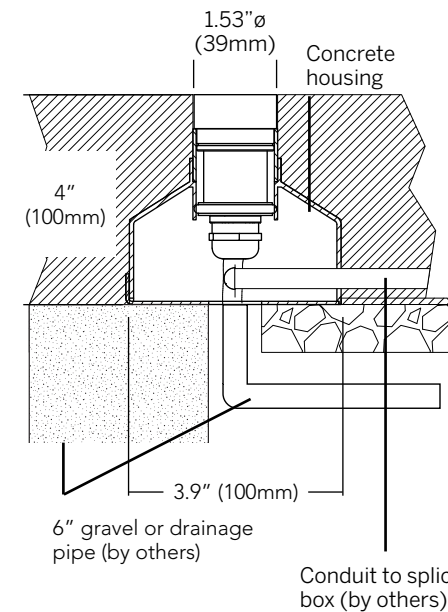
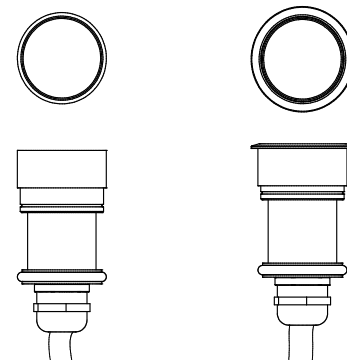
Options

- TR = stainless steel 304 trim, size: 0.12" (3mm)
- C20 = 20'(6m) feed cable
- C30 = 30'(9m) feed cable

Housing

- C = concrete
- T = tiles

Trimless (standard) 1.53"ø (39mm)
Trim (optional - TR) 1.77"ø (45mm)



No enclosure, unless stated. Im80 values shown.



Ordering Information ¹						
Model	Power	Color	Optics	Voltage	Options	Housing
FX SQD35				24		
FX SDQ35	L H	27 30 40	SP SP20 FL FL20 GR	24	TR HX DL C20 C30	C T

¹Specify remote power supply separately below.

Luminaire

- Square LED uplight with high performance optics for outdoor and indoor use
- Trimless for seamless integration into grade; optional stainless steel trim
- Snap in installation with no exposed hardware
- Sustainable design with replaceable LED module
- Regressed LED for glare reduction, louver and lens options
- UL STD 1598, wet location; Concrete housing: walkover rated 1500 lb; Tiles housing: driveover rated 3000 lb
- Aluminum construction, direct concrete pour housing, with clear tempered glass
- Supplied with oil and water resistant 1' feed cable standard, 18/2 AWG

Size

- 1.53" (39mm) x 4" H (100mm) standard trimless
- 1.77" (45mm) x 4" H (100mm) with optional trim

Power

- L = 1.2W, 3000K, 100 lm
- H = 3W, 3000K, 300 lm

Power Supply (Remote)

Non-Dim

- D-520-24007: Osram 96W, 24VDC, 120-277VAC

Dim

- D-520-24006: Osram 10% 0-10V dimming, 96W, 24VDC, 120-277VAC
- IL-JB-LED-24003-120V-DFPN: Lutron LTE 1% Forward Phase (with neutral) dimming, 5-40W, 24VDC, 120VAC, Case K, dry location enclosure

Color Temperature

- 27 = 2700K
- 30 = 3000K
- 40 = 4000K
- 2 Step MacAdam
- CRI: > 85

Optics

- SP = spot - 11°
- SP20 = spot - 11°, 20° tilt
- FL = flood - 41°
- FL20 = flood - 41°, 20° tilt
- GR = graze - 13° x 41°

Voltage

- 24 = 24VDC fixture voltage

Options

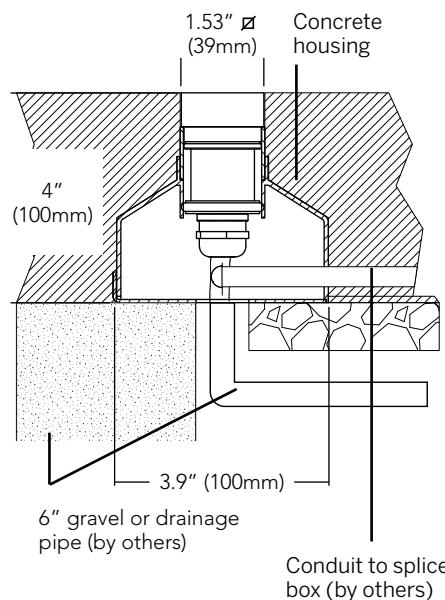
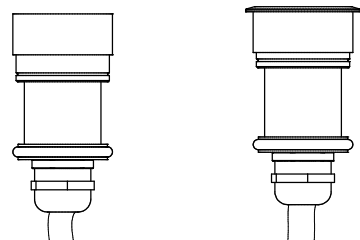
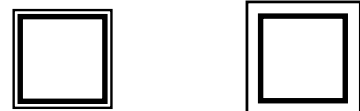
- TR = stainless steel 304 trim, size: 0.12" (3mm)
- HX = honeycomb louver
- DL = diffused lens
- C20 = 20'(6m) feed cable
- C30 = 30'(9m) feed cable

Housing

- C = concrete
- T = tiles

Trimless (standard) Trim (optional - TR)

1.53" (39mm) 1.77" (45mm)



No enclosure, unless stated. Im80 values shown.



Ordering Information ¹						
Model	Power ²	Color	Optics	Voltage	Options	Housing
FX SQP35			LL	24		
FX SQP35	L H	27 30 40	LL	24	TR C20 C30	C T

¹Specify remote power supply separately below. ²H recommended for higher ambient light environs.

Luminaire

- Square LED paver for outdoor and indoor use, floor and wall installation
- Even illumination lens
- Trimless for seamless integration into grade; optional stainless steel trim
- Snap in installation with no exposed hardware
- Sustainable design with replaceable LED module
- Regressed LED for glare reduction, louver and lens options
- UL STD 1598, wet location; Concrete housing: walkover rated 1500 lb; Tiles housing: driveover rated 3000 lb
- Aluminum construction, direct concrete pour housing, with diffused tempered glass
- Supplied with oil and water resistant 1' feed cable standard, 18/2 AWG

Size

- 1.53" (39mm) x 4" H (100mm) standard trimless
- 1.77" (45mm) x 4" H (100mm) with optional trim

Power Supply (Remote)

Non-Dim

- D-520-24007: Osram 96W, 24VDC, 120-277VAC

Dim

- D-520-24006: Osram 10% 0-10V dimming, 96W, 24VDC, 120-277VAC
- IL-JB-LED-24003-120V-DFPN: Lutron LTE 1% Forward Phase (with neutral) dimming, 5-40W, 24VDC, 120VAC, Case K, dry location enclosure

Power²

- L = 1.2W, 3000K, 80 lm
- H = 3W, 3000K, 250 lm

Color Temperature

- 27 = 2700K
- 30 = 3000K
- 40 = 4000K
- 2 Step MacAdam
- CRI: > 85

Optics

- LL = line of light

Voltage

- 24 = 24VDC fixture voltage

Options

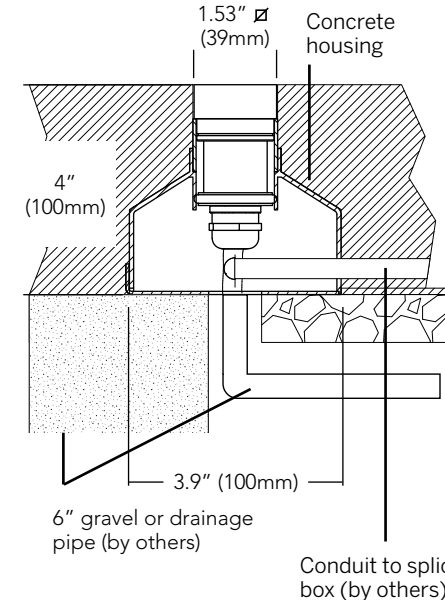
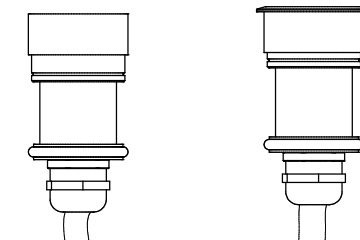
- TR = stainless steel 304 trim, size: 0.12" (3mm)
- C20 = 20'(6m) feed cable
- C30 = 30'(9m) feed cable

Housing

- C = concrete
- T = tiles

Trimless (standard) Trim (optional - TR)

1.53" (39mm) 1.77" (45mm)



No enclosure, unless stated. Im80 values shown.



Ordering Information ¹ (Minimum order quantity 9pcs)					
Model	Size	Power	Color	Optics	Voltage
FX SND	124	H			24
FX SND	124 (4.88")	H	30 40	SP FL GR	24

¹Specify remote power supply separately below. Max run from single feed 23' (7m)

Luminaire

- Linear curvable ingrade element for continuous run and flexible radius adjustment
- Sustainable design
- Radius, minimum 12.36" (314mm)
- Diffused line of light
- UL STD 1598, wet location, walkover rated 1000 lb
- Clear borosilicate glass 1.2" (30mm) thick
- Stainless steel 304 construction, direct concrete pour housing, with clear tempered glass
- Snap in installation with no exposed hardware
- Supplied with oil and water resistant 7" (180mm) feed cable standard with IP67 plug and play connector

Size

- 124 = 4.88" (124mm) x 3.54" H (90mm)

Power

- H = 2.3W, 3000K, 200 lm

Color Temperature

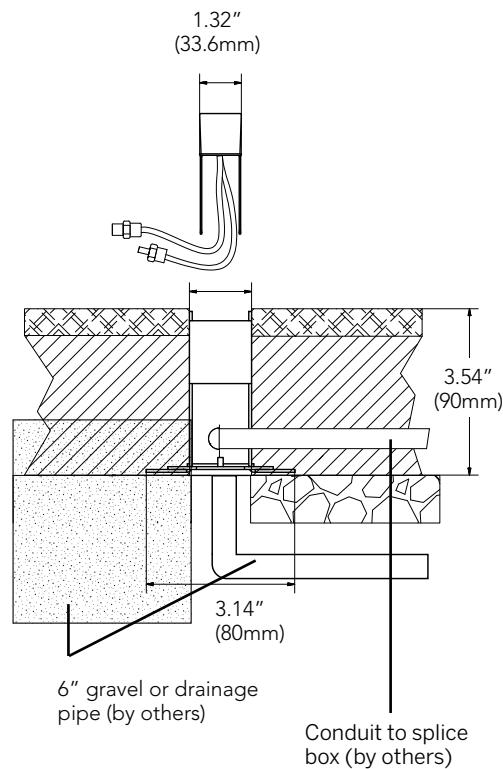
- 30 = 3000K
- 40 = 4000K
- 2 Step MacAdam
- CRI: > 85

Optics

- SP = spot - 11°
- FL = flood - 41°
- GR = graze - 13° x 41°

Voltage

- 24 = 24VDC fixture voltage



Ordering Information ¹ (Minimum order quantity 9pcs)					
Model	Size	Power	Color	Optics	Voltage
FX SNP	124	H		LL	24
FX SNP	124 (4.88")	H	30 40	LL	24

¹Specify remote power supply separately below. Max run from single feed 23' (7m)

Luminaire

- Linear curvable ingrade element for continuous run and flexible radius adjustment
- Sustainable design
- Radius, minimum 12.36" (314mm)
- Diffused line of light
- UL STD 1598, wet location, walkover rated 1000 lb
- White borosilicate glass 1.2" (30mm) thick
- Stainless steel 304 construction, direct concrete pour housing, with diffused tempered glass
- Snap in installation with no exposed hardware
- Supplied with oil and water resistant 7" (180mm) feed cable standard with IP67 plug and play connector

Size

- 124 = 4.88" (124mm) x 3.54" H (90mm)

Power

- H = 2.3W, 3000K, 150 lm

Color Temperature

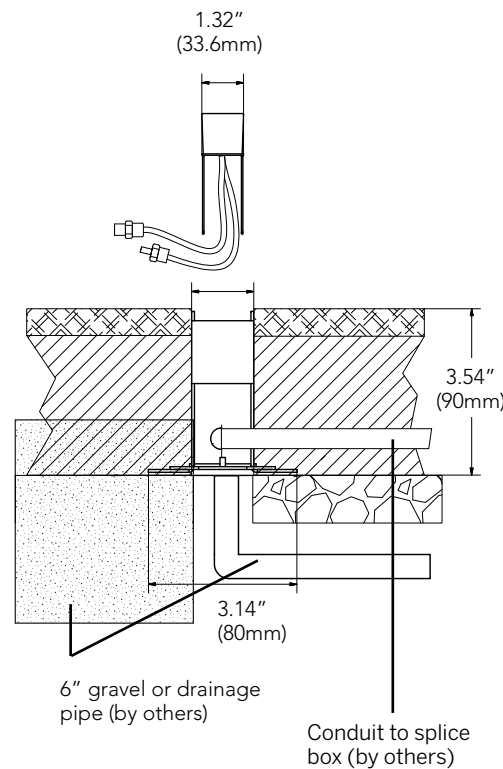
- 30 = 3000K
- 40 = 4000K
- 2 Step MacAdam
- CRI: > 85

Optics

- LL = line of light

Voltage

- 24 = 24VDC fixture voltage



Power Supply (Remote)

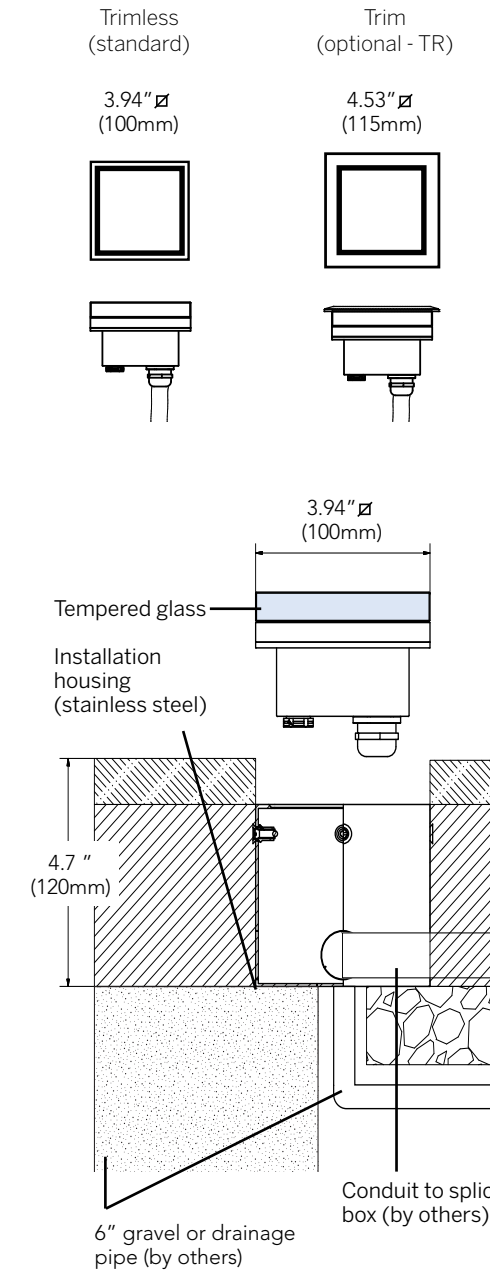
<p>Non-Dim</p> <ul style="list-style-type: none"> □ D-520-24007: Osram 96W, 24VDC, 120-277VAC <p>Dim</p> <ul style="list-style-type: none"> □ D-520-24006: Osram 10% 0-10V dimming, 96W, 24VDC, 120-277VAC □ IL-JB-LED-24003-120V-DFPN: Lutron LTE 1% Forward Phase (with neutral) dimming, 5-40W, 24VDC, 120VAC, Case K, dry location enclosure 	<ul style="list-style-type: none"> □ IL-JB-LED-24010-UNV-D3W: Lutron L3D 1% 3-wire dimming, 5-40W, 24VDC, 120-277VAC, Case K, dry location enclosure □ IL-JB-LED-24010-UNV-DES: Lutron L3D 1% EcoSystem dimming, 5-40W, 24VDC, 120-277VAC, Case K, supplied in a dry location enclosure
---	---

No enclosure, unless stated. Im80 values shown.

Power Supply (Remote)

<p>Non-Dim</p> <ul style="list-style-type: none"> □ D-520-24007: Osram 96W, 24VDC, 120-277VAC <p>Dim</p> <ul style="list-style-type: none"> □ D-520-24006: Osram 10% 0-10V dimming, 96W, 24VDC, 120-277VAC □ IL-JB-LED-24003-120V-DFPN: Lutron LTE 1% Forward Phase (with neutral) dimming, 5-40W, 24VDC, 120VAC, Case K, dry location enclosure 	<ul style="list-style-type: none"> □ IL-JB-LED-24010-UNV-D3W: Lutron L3D 1% 3-wire dimming, 5-40W, 24VDC, 120-277VAC, Case K, dry location enclosure □ IL-JB-LED-24010-UNV-DES: Lutron L3D 1% EcoSystem dimming, 5-40W, 24VDC, 120-277VAC, Case K, supplied in a dry location enclosure
---	---

No enclosure, unless stated. Im80 values shown.



Ordering Information¹

Model	Power	Color	Optics	Voltage	Options
FX SQD100	H	30 40 RGB	SP SP20 FL FL20 GR WW	24	TR C20 C30

¹Specify remote power supply separately below.

Luminaire

- Square LED uplight with high performance optics for outdoor and indoor use
- Trimless for seamless integration into grade; optional stainless steel trim
- Snap in installation with no exposed hardware
- Sustainable design, replaceable LED module
- UL STD 1598, wet location, driveover rated 3000 lb
- Stainless steel 304 construction, direct concrete pour housing, with clear tempered glass 5/8" thick
- Supplied with oil and water resistant 1' feed cable standard, single color 18/2 AWG, RGB 18/4 AWG

Size

- 3.94" \varnothing (100mm) x 4.7" H (120mm) standard trimless
- 4.53" \varnothing (115mm) x 4.7" H (120mm) with optional trim

Power

- H = 6W, 3000K, 560 lm
- H = RGB: R 2.4W, G 2.4W, B 2.4W

Color Temperature

- 30 = 3000K
- 40 = 4000K
- RGB
- 2 Step MacAdam
- CRI: > 85

Optics

- SP = spot - 12°
- SP20 = spot - 12°, 20° tilt
- FL = flood - 30°
- FL20 = flood - 30°, 20° tilt
- GR = graze - 13° x 33°
- WW = wallwash - 13° x 33°, 20° tilt

Voltage

- 24 - 24VDC fixture voltage

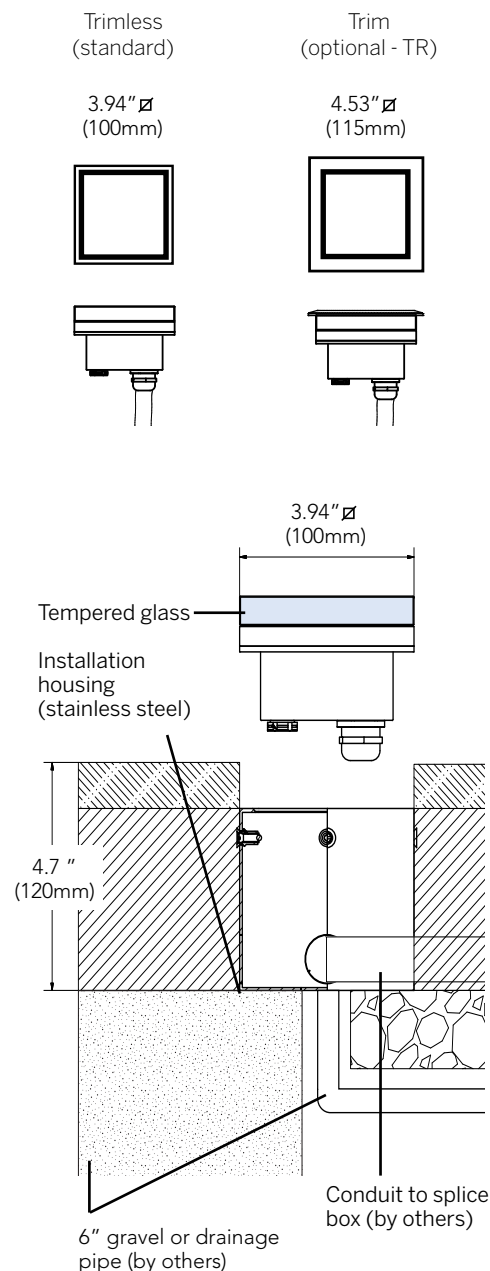
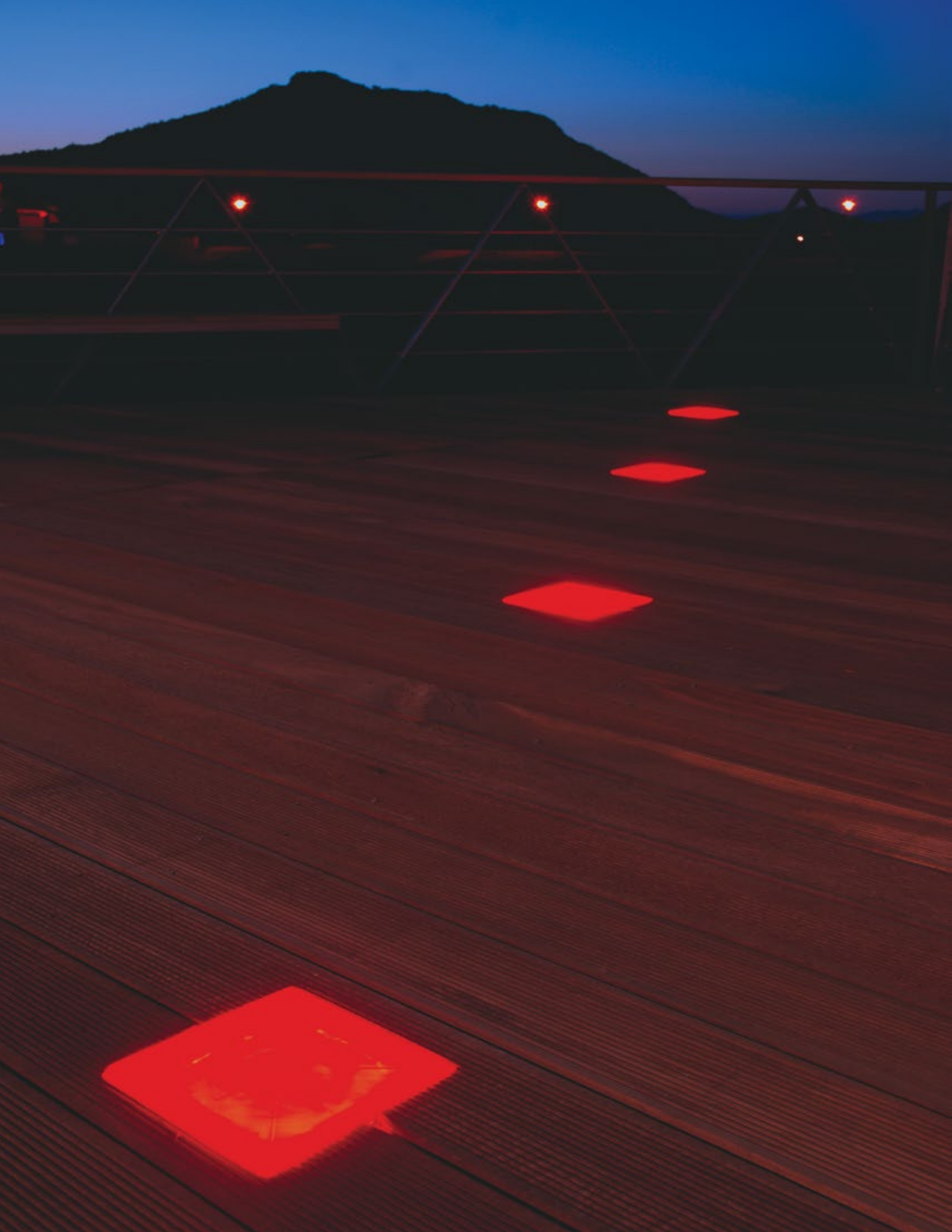
Options

- TR = stainless steel 304 trim, size: 0.27" (7mm)
- C20 = 20' (6m) feed cable
- C30 = 30' (9m) feed cable

Power Supply (Remote)

<p>Non-Dim</p> <ul style="list-style-type: none"> □ D-520-24007: Osram 96W, 24VDC, 120-277VAC <p>Dim</p> <ul style="list-style-type: none"> □ D-520-24006: Osram 10% 0-10V dimming, 96W, 24VDC, 120-277VAC □ IL-JB-LED-24003-120V-DFPN: Lutron LTE 1% Forward Phase (with neutral) dimming, 5-40W, 24VDC, 120VAC, Case K, dry location enclosure 	<ul style="list-style-type: none"> □ IL-JB-LED-24010-UNV-D3W: Lutron L3D 1% 3-wire dimming, 5-40W, 24VDC, 120-277VAC, Case K, dry location enclosure □ IL-JB-LED-24010-UNV-DES: Lutron L3D 1% EcoSystem dimming, 5-40W, 24VDC, 120-277VAC, Case K, supplied in a dry location enclosure
---	---

No enclosure, unless stated. Im80 values shown.



Ordering Information ¹					
Model	Power ²	Color	Optics	Voltage	Options
FX SQP100			LL	24	
FX SQP100	H	30	LL	24	TR C20 C30
	L	40			
	H	RGB			

¹Specify remote power supply separately below. ²H recommended for higher ambient light environs.

Luminaire

- Square LED paver for outdoor and indoor use
- Trimless for seamless integration into grade; optional stainless steel trim
- Snap in installation with no exposed hardware
- Sustainable design, replaceable LED module
- UL STD 1598, wet location, driveover rated 3000 lb
- Stainless steel 304 construction, direct concrete pour housing, with Satin tempered glass 5/8" thick
- Supplied with oil and water resistant 1' feed cable standard, single color 18/2 AWG, RGB 18/4 AWG

Size

- 3.94" (100mm) x 4.7" H (120mm) standard trimless
- 4.53" (115mm) x 4.7" H (120mm) with optional trim

Power²

- H = 4.8W, 3000K, 360 lm
- H = RGB: R 2.1W, G 1.2W, B 2.2W
- L = 2.9W, 3000K, 190 lm

Color Temperature

- 30 = 3000K
- 40 = 4000K
- RGB
- 2 Step MacAdam
- CRI: > 85

Optics

- LL = even illumination

Voltage

- 24 = 24VDC fixture voltage

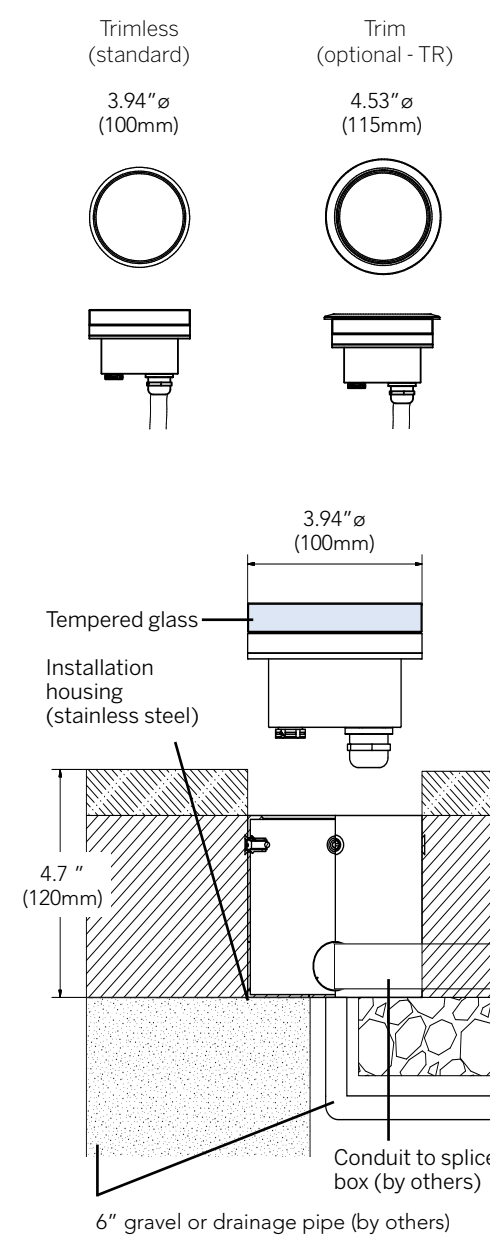
Options

- TR = stainless steel 304 trim, size: 0.27" (7mm)
- C20 = 20'(6m) feed cable
- C30 = 30'(9m) feed cable

Power Supply (Remote)

<p>Non-Dim</p> <ul style="list-style-type: none"> <input type="checkbox"/> D-520-24007: Osram 96W, 24VDC, 120-277VAC <p>Dim</p> <ul style="list-style-type: none"> <input type="checkbox"/> D-520-24006: Osram 10% 0-10V dimming, 96W, 24VDC, 120-277VAC <input type="checkbox"/> IL-JB-LED-24003-120V-DFPN: Lutron LTE 1% Forward Phase (with neutral) dimming, 5-40W, 24VDC, 120VAC, Case K, dry location enclosure 	<ul style="list-style-type: none"> <input type="checkbox"/> IL-JB-LED-24010-UNV-D3W: Lutron L3D 1% 3-wire dimming, 5-40W, 24VDC, 120-277VAC, Case K, dry location enclosure <input type="checkbox"/> IL-JB-LED-24010-UNV-DES: Lutron L3D 1% EcoSystem dimming, 5-40W, 24VDC, 120-277VAC, Case K, supplied in a dry location enclosure
--	---

No enclosure, unless stated. Im80 values shown.



Ordering Information ¹					
Model	Power	Color	Optics	Voltage	Options
FX RDD100	H			24	
FX RDD100	H	30 40 RGB	SP SP20 FL FL20 GR WW	24	TR C20 C30

¹Specify remote power supply separately below.

Luminaire

- Round LED uplight with high performance optics for outdoor and indoor use
- Trimless for seamless integration into grade; optional stainless steel trim
- Snap in installation with no exposed hardware
- Sustainable design, replaceable LED module
- UL STD 1598, wet location, driveover rated 3000 lb
- Stainless steel 304 construction, direct concrete pour housing, with clear tempered glass 5/8" thick
- Supplied with oil and water resistant 1' feed cable standard, single color 18/2 AWG, RGB 18/4 AWG

Size

- 3.94"ø (100mm) x 4.7" H (120mm) standard trimless
- 4.53"ø (115mm) x 4.7" H (120mm) with optional trim

Power

- H = 6W, 3000K, 560 lm
- H = RGB: R 2.4W, G 2.4W, B 2.4W

Color Temperature

- 30 = 3000K
- 40 = 4000K
- RGB
- 2 Step MacAdam
- CRI: > 85

Optics

- SP = spot - 12°
- SP20 = spot - 12°, 20° tilt
- FL = flood - 30°
- FL20 = flood - 30°, 20° tilt
- GR = graze - 13° x 33°
- WW = wallwash - 13° x 33°, 20° tilt

Voltage

- 24 = 24VDC fixture voltage

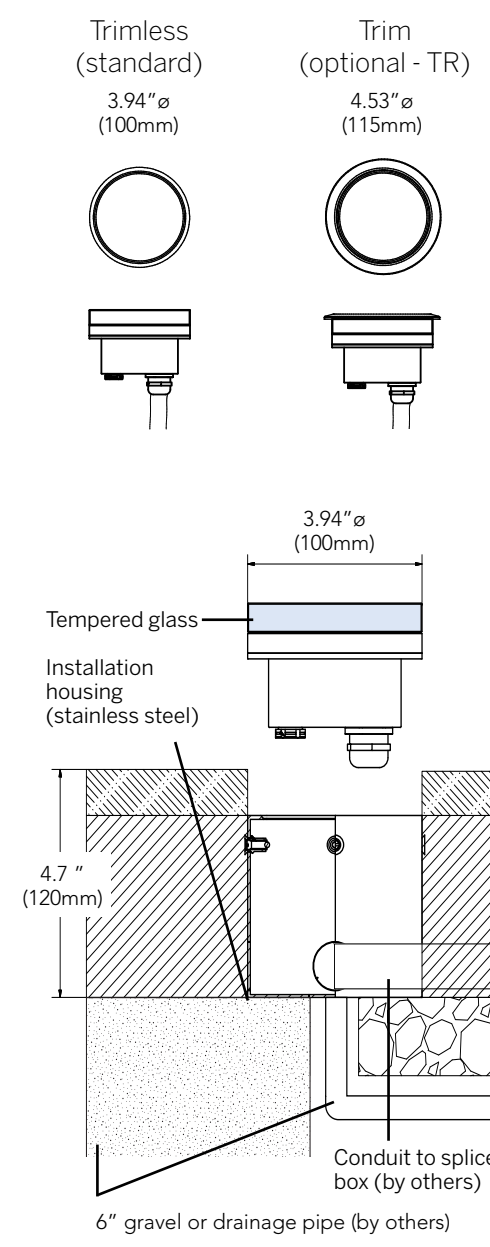
Options

- TR = stainless steel 304 trim, size: 0.27" (7mm)
- C20 = 20' (6m) feed cable
- C30 = 30' (9m) feed cable

Power Supply (Remote)

<p>Non-Dim</p> <ul style="list-style-type: none"> <input type="checkbox"/> D-520-24007: Osram 96W, 24VDC, 120-277VAC <p>Dim</p> <ul style="list-style-type: none"> <input type="checkbox"/> D-520-24006: Osram 10% 0-10V dimming, 96W, 24VDC, 120-277VAC <input type="checkbox"/> IL-JB-LED-24003-120V-DFPN: Lutron LTE 1% Forward Phase (with neutral) dimming, 5-40W, 24VDC, 120VAC, Case K, dry location enclosure 	<ul style="list-style-type: none"> <input type="checkbox"/> IL-JB-LED-24010-UNV-D3W: Lutron L3D 1% 3-wire dimming, 5-40W, 24VDC, 120-277VAC, Case K, dry location enclosure <input type="checkbox"/> IL-JB-LED-24010-UNV-DES: Lutron L3D 1% EcoSystem dimming, 5-40W, 24VDC, 120-277VAC, Case K, supplied in a dry location enclosure
--	---

No enclosure, unless stated. Im80 values shown.



Ordering Information ¹					
Model	Power ²	Color	Optics	Voltage	Options
FX RDP100	H	30	LL	24	TR
	L	40			C20
	H	RGB			C30

¹Specify remote power supply separately below. ²H recommended for higher ambient light environs.

Luminaire

- Round LED paver for outdoor and indoor use
- Trimless for seamless integration into grade; optional stainless steel trim
- Snap in installation with no exposed hardware
- Sustainable design, replaceable LED module
- UL STD 1598, wet location, driveover rated 3000 lb
- Stainless steel 304 construction, direct concrete pour housing, with satin tempered glass 5/8" thick
- Supplied with oil and water resistant 1' feed cable standard, single color 18/2 AWG, RGB 18/4 AWG

Size

- 3.94" ø (100mm) x 4.7" H (120mm) standard trimless
- 4.53" ø (115mm) x 4.7" H (120mm) with optional trim

Power²

- H = 4.8W, 3000K, 360 lm
- H = RGB: R 1.6W, G 1.65W, B 1.65W
- L = 2.9W, 3000K, 190 lm

Color Temperature

- 30 = 3000K
- 40 = 4000K
- RGB
- 2 Step MacAdam
- CRI: > 85

Optics

- LL = even illumination

Voltage

- 24 = 24VDC fixture voltage

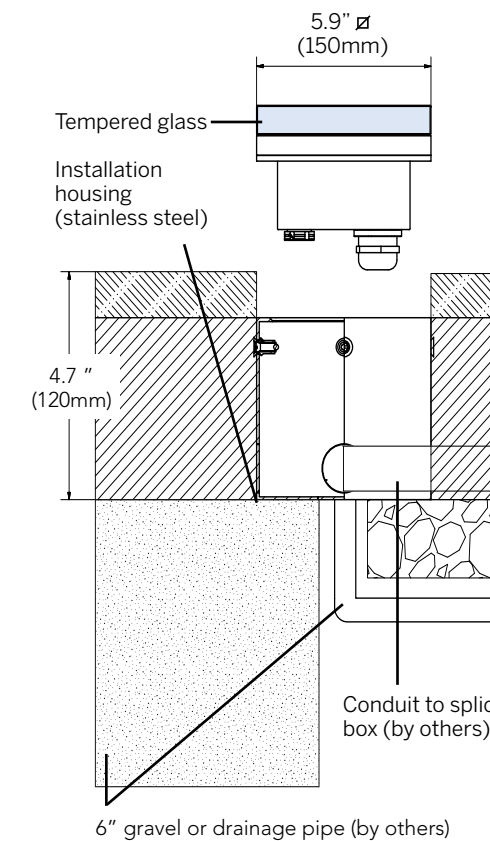
Options

- TR = stainless steel 304 trim, size: 0.27" (7mm)
- C20 = 20'(6m) feed cable
- C30 = 30'(9m) feed cable

Power Supply (Remote)

<p>Non-Dim</p> <ul style="list-style-type: none"> □ D-520-24007: Osram 96W, 24VDC, 120-277VAC <p>Dim</p> <ul style="list-style-type: none"> □ D-520-24006: Osram 10% 0-10V dimming, 96W, 24VDC, 120-277VAC □ IL-JB-LED-24003-120V-DFPN: Lutron LTE 1% Forward Phase (with neutral) dimming, 5-40W, 24VDC, 120VAC, Case K, dry location enclosure 	<ul style="list-style-type: none"> □ IL-JB-LED-24010-UNV-D3W: Lutron L3D 1% 3-wire dimming, 5-40W, 24VDC, 120-277VAC, Case K, dry location enclosure □ IL-JB-LED-24010-UNV-DES: Lutron L3D 1% EcoSystem dimming, 5-40W, 24VDC, 120-277VAC, Case K, supplied in a dry location enclosure
---	---

No enclosure, unless stated. Im80 values shown.



Ordering Information¹

Model	Power ²	Color	Optics	Voltage	Options
FX SQP150			LL	24	
FX SQP150	H	30	LL	24	C20 C30
	L	40			
	L	RGB			

¹Specify remote power supply separately below. ²H recommended for higher ambient light environs.

Luminaire

- LED paver for outdoor and indoor use
- Trimless for seamless integration into grade
- Sustainable design, replaceable LED module
- Snap in installation with no exposed hardware
- UL STD 1598, wet location, walkover rated 1000 lb
- Stainless steel 304 construction, direct concrete pour housing, with anti slip tempered glass 5/8" thick
- Supplied with oil and water resistant 3' feed cable standard, single color 18/2 AWG, RGB 18/4 AWG

Length

- 5.9" x 5.9" (150mm x 150mm) x 4.7" H (120mm)

Power²

- H = 10W, 3000K, 733 lm
- L = 5.4W, 3000K, 405 lm
- L = RGB: R 3.2W, G 2.2W, B 2.2W

Color Temperature

- 30 = 3000K
- 40 = 4000K
- RGB
- 2 Step MacAdam
- CRI: > 85

Optics

- LL = even illumination

Voltage

- 24 = 24VDC fixture voltage

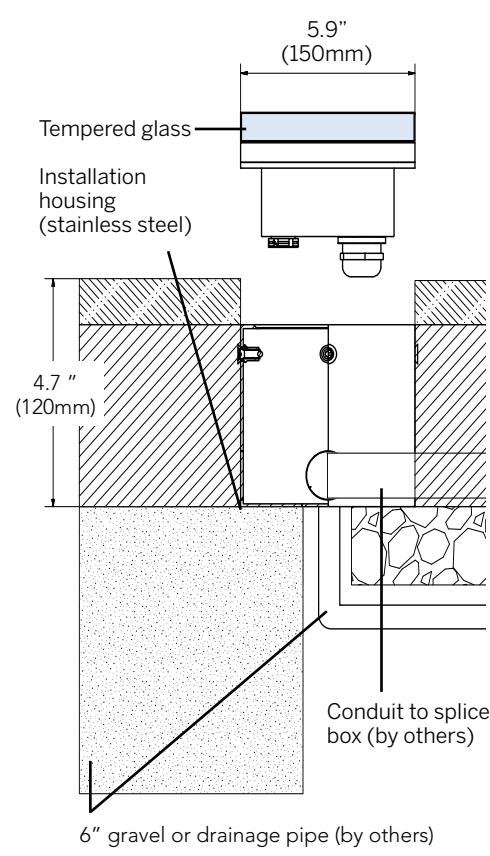
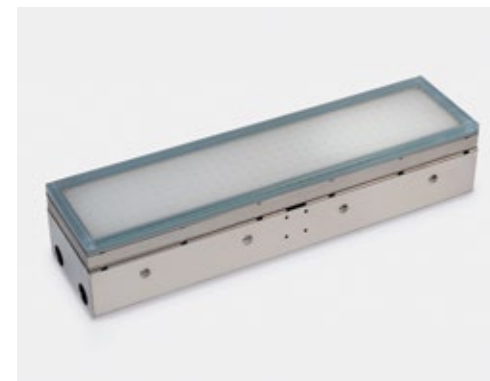
Options

- C20 = 20'(6m) feed cable
- C30 = 30'(9m) feed cable

Power Supply (Remote)

<p>Non-Dim</p> <p><input type="checkbox"/> D-520-24007: Osram 96W, 24VDC, 120-277VAC</p> <p>Dim</p> <p><input type="checkbox"/> D-520-24006: Osram 10% 0-10V dimming, 96W, 24VDC, 120-277VAC</p> <p><input type="checkbox"/> IL-JB-LED-24003-120V-DFPN: Lutron LTE 1% Forward Phase (with neutral) dimming, 5-40W, 24VDC, 120VAC, Case K, dry location enclosure</p>	<p><input type="checkbox"/> IL-JB-LED-24010-UNV-D3W: Lutron L3D 1% 3-wire dimming, 5-40W, 24VDC, 120-277VAC, Case K, dry location enclosure</p> <p><input type="checkbox"/> IL-JB-LED-24010-UNV-DES: Lutron L3D 1% EcoSystem dimming, 5-40W, 24VDC, 120-277VAC, Case K, supplied in a dry location enclosure</p>
--	--

No enclosure, unless stated. Im80 values shown.



Ordering Information¹

Model	Length	Power ²	Color	Optics	Voltage	Options
FX RCP150	200 (7.87") 600 (23.62")	H L L	30 40 RGB	LL	24	C20 C30

¹Specify remote power supply separately below. ²H recommended for higher ambient light environs.

Luminaire

- LED pavers in 2 standard lengths for outdoor and indoor use
- Trimless for seamless integration into grade
- Sustainable design, replaceable LED module
- Snap in installation with no exposed hardware
- UL STD 1598, wet location, walkover rated 1000 lb
- Stainless steel 304 construction, direct concrete pour housing, with anti slip tempered glass 5/8" thick
- Supplied with oil and water resistant 3' feed cable standard, 18/2 AWG

Length

- 200 = 7.87" x 5.9" (200mm x 150mm) x 4.7" H (120mm)
- 600 = 23.62" x 5.9" (600mm x 150mm) x 4.7" H (120mm)

Power Supply (Remote)

<p>Non-Dim</p> <p><input type="checkbox"/> D-520-24007: Osram 96W, 24VDC, 120-277VAC</p> <p>Dim</p> <p><input type="checkbox"/> D-520-24006: Osram 10% 0-10V dimming, 96W, 24VDC, 120-277VAC</p> <p><input type="checkbox"/> IL-JB-LED-24003-120V-DFPN: Lutron LTE 1% Forward Phase (with neutral) dimming, 5-40W, 24VDC, 120VAC, Case K, dry location enclosure</p>	<p><input type="checkbox"/> IL-JB-LED-24010-UNV-D3W: Lutron L3D 1% 3-wire dimming, 5-40W, 24VDC, 120-277VAC, Case K, dry location enclosure</p> <p><input type="checkbox"/> IL-JB-LED-24010-UNV-DES: Lutron L3D 1% EcoSystem dimming, 5-40W, 24VDC, 120-277VAC, Case K, supplied in a dry location enclosure</p>
--	--

No enclosure, unless stated. Im80 values shown.

Power²

- 200
- H = 10W, 3000K, 733 lm
 - L = 5.4W, 3000K, 405 lm
- 600
- H = 23W, 3000K, 1600 lm
 - L = 12W, 3000K, 730 lm
 - L = RGB: R 5.25W, G 6.6W, B 6.6W

Color Temperature

- 30 = 3000K
- 40 = 4000K
- RGB
- 2 Step MacAdam
- CRI: > 85

Optics

- LL = even illumination

Voltage

- 24 = 24VDC fixture voltage

Options

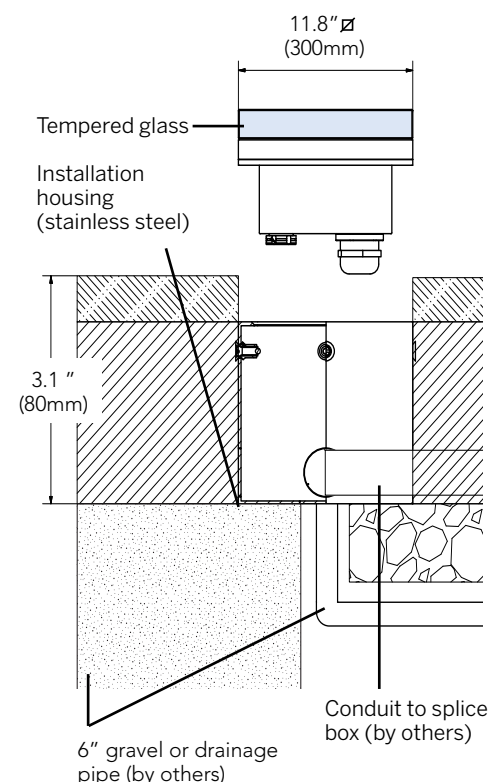
- C20 = 20'(6m) feed cable
- C30 = 30'(9m) feed cable



Ordering Information¹

Model	Power ²	Color	Optics	Voltage	Options
FX SQP300	H	30	LL	24	C20 C30
	L	40			
	H	RGB			

¹Specify remote power supply separately below. ²H recommended for higher ambient light environs.



Luminaire

- Square LED paver for outdoor and indoor use
- Trimless for seamless integration into grade
- Snap in installation with no exposed hardware
- Sustainable design, replaceable LED module
- UL STD 1598, wet location, walkover rated 1000 lb
- Stainless steel 304 construction, direct concrete pour housing, with Satin tempered glass 5/8" thick
- Anti-slip surface
- Supplied with oil and water resistant 3' feed cable standard, single color 18/2 AWG, RGB 18/4 AWG

Size

- 11.8" Ø (300mm) x 3.1" H (80mm) standard trimless

Power²

- H = 27.7W, 3000K, 2000 lm
- H = RGB: R 5.25W, G 6.6W, B 6.6W
- L = 12W, 3000K, 720 lm

Color Temperature

- 30 = 3000K
- 40 = 4000K
- RGB
- 2 Step MacAdam
- CRI: > 85

Optics

- LL = even illumination

Voltage

- 24 = 24VDC fixture voltage

Options

- C20 = 20' (6m) feed cable
- C30 = 30' (9m) feed cable

Power Supply (Remote)

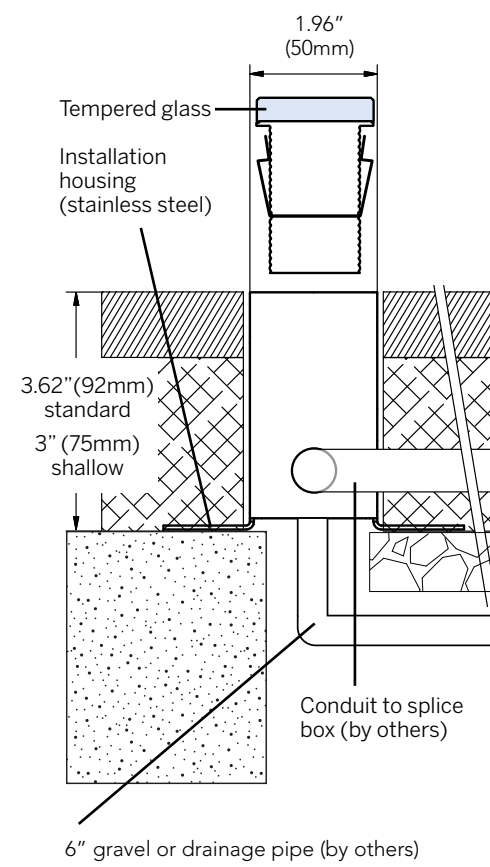
<p>Non-Dim</p> <p><input type="checkbox"/> D-520-24007: Osram 96W, 24VDC, 120-277VAC</p> <p>Dim</p> <p><input type="checkbox"/> D-520-24006: Osram 10% 0-10V dimming, 96W, 24VDC, 120-277VAC</p> <p><input type="checkbox"/> IL-JB-LED-24003-120V-DFPN: Lutron LTE 1% Forward Phase (with neutral) dimming, 5-40W, 24VDC, 120VAC, Case K, dry location enclosure</p>	<p><input type="checkbox"/> IL-JB-LED-24010-UNV-D3W: Lutron L3D 1% 3-wire dimming, 5-40W, 24VDC, 120-277VAC, Case K, dry location enclosure</p> <p><input type="checkbox"/> IL-JB-LED-24010-UNV-DES: Lutron L3D 1% EcoSystem dimming, 5-40W, 24VDC, 120-277VAC, Case K, supplied in a dry location enclosure</p>
--	--

No enclosure, unless stated. Im80 values shown.



Ordering Information ¹						
Model	Length	Power ²	Color	Optics	Voltage	Options
FX SU	12 24 48 RXX	H L	30 40 40 B RGB	LL	24	SH C20 C30

¹Specify remote power supply separately below. ²H recommended for higher ambient light environs.



Luminaire

- Linear line of light for outdoor and indoor use
- Trimless for seamless integration into grade
- Single luminaire or continuous run of standard lengths
- UL STD 1598, wet location, driveover rated 3000 lb
- Stainless steel construction 304 with clear tempered glass 3/8" thick, and inner opal film
- Installation housing - stainless steel 304 construction, direct concrete pour
- Supplied with oil and water resistant 3' feed cable standard, single color 18/2 AWG, RGB 18/4 AWG

Length

- 12 = 12.75" (324mm) OAL
- 24 = 24.56" (624mm) OAL
- 48 = 48.18" (1224mm) OAL
- RXX = R(dimension) continuous run of standard lengths ONLY

Power Supply (Remote)

- Non-Dim**
- D-520-24007: Osram 96W, 24VDC, 120-277VAC
- Dim**
- D-520-24006: Osram 10% 0-10V dimming, 96W, 24VDC, 120-277VAC
 - IL-JB-LED-24003-120V-DFPN: Lutron LTE 1% Forward Phase (with neutral) dimming, 5-40W, 24VDC, 120VAC, Case K, dry location enclosure
 - IL-JB-LED-24010-UNV-D3W: Lutron L3D 1% 3-wire dimming, 5-40W, 24VDC, 120-277VAC, Case K, dry location enclosure

Power²

- H = 7.5W/ft, 3000K, 550 lm/ft
- L = 3W/ft, 3000K, 210 lm/ft
- L = 3W/ft, blue, 165 lm/ft
- L = 4.5W/ft, RGB:
R 29 lm/ft, G 65 lm/ft, B 15 lm/ft

Color Temperature

- 30 = 3000K
- 40 = 4000K
- B = blue
- RGB
- 2 Step MacAdam
- CRI: > 85

Optics

- LL = even illuminated line of light

Voltage

- 24 = 24VDC fixture voltage

Options

- SH = shallow housing (3" deep (75mm))
- C20 = 20'(6m) feed cable
- C30 = 30'(9m) feed cable

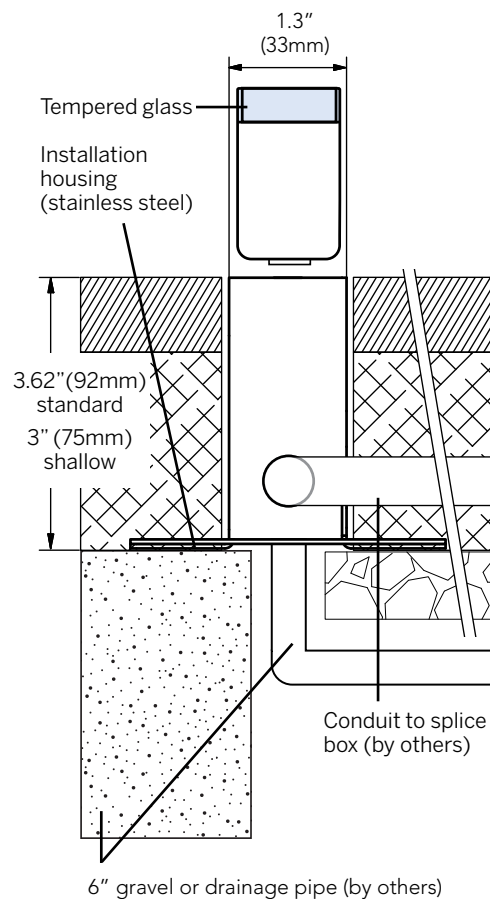
- IL-JB-LED-24010-UNV-DES: Lutron L3D 1% EcoSystem dimming, 5-40W, 24VDC, 120-277VAC, Case K, supplied in a dry location enclosure
- RGB**
- D-550-20003: EldoLED LIN100D2, CV 24V DMX/Sequencer Interface, requires a 24VDC driver ordered separately. (DMX control not included)

No enclosure, unless stated. Im80 values shown.



Ordering Information ¹						
Model	Length	Power ²	Color	Optics	Voltage	Options
FX SL	16 40 RXX	H L	30 40 30 40 B RGB	LL	24	SH C20 C30

¹Specify remote power supply separately below. ²H recommended for higher ambient light environs.



Luminaire

- Linear line of light for outdoor and indoor use
- Trimless for seamless integration into grade
- Single luminaire or continuous run of standard lengths
- UL STD 1598, wet location, walkover rated 1000 lb, non submersible
- Stainless steel construction 304 with clear tempered glass 5/8" thick, with inner opal film to create even line of light
- Installation housing - stainless steel 304 construction, direct concrete pour
- Supplied with oil and water resistant 3' feed cable standard, single color 18/2 AWG, RGB 18/4 AWG

Length

- 16 = 15.8" (401mm) OAL
- 40 = 39.4" (1001mm) OAL
- RXX = R(dimension) continuous run of standard lengths ONLY

Power Supply (Remote)

- Non-Dim**
- D-520-24007: Osram 96W, 24VDC, 120-277VAC
- Dim**
- D-520-24006: Osram 10% 0-10V dimming, 96W, 24VDC, 120-277VAC
 - IL-JB-LED-24003-120V-DFPN: Lutron LTE 1% Forward Phase (with neutral) dimming, 5-40W, 24VDC, 120VAC, Case K, dry location enclosure
 - IL-JB-LED-24010-UNV-D3W: Lutron L3D 1% 3-wire dimming, 5-40W, 24VDC, 120-277VAC, Case K, dry location enclosure

Power²

- H = 7.5W/ft, 3000K, 550 lm/ft
- L = 3W/ft, 3000K, 210 lm/ft
- L = 3W/ft, blue, 165 lm/ft
- L = 4.5W/ft, RGB:
R 29 lm/ft, G 65 lm/ft, B 15 lm/ft

Color Temperature

- 30 = 3000K
- 40 = 4000K
- B = blue
- RGB
- 2 Step MacAdam
- CRI: > 85

Optics

- LL = even illuminated line of light

Voltage

- 24 = 24VDC fixture voltage

Options

- SH = shallow housing (3" deep (75mm))
- C20 = 20'(6m) feed cable
- C30 = 30'(9m) feed cable

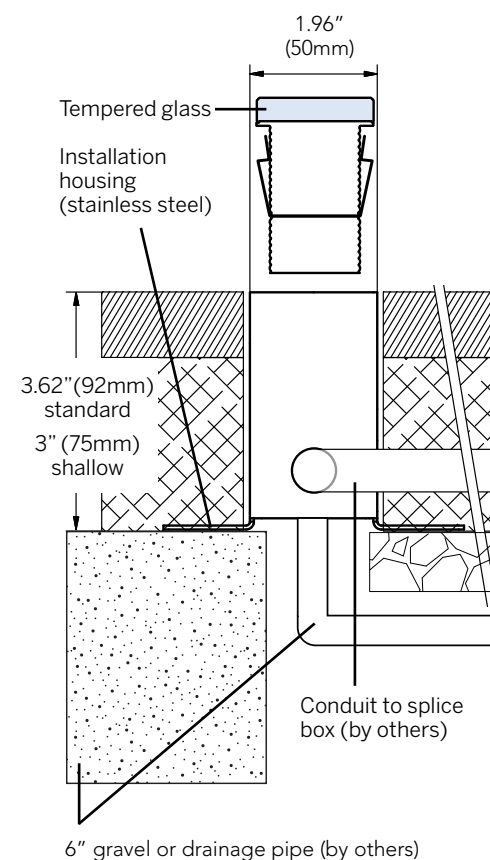
- IL-JB-LED-24010-UNV-DES: Lutron L3D 1% EcoSystem dimming, 5-40W, 24VDC, 120-277VAC, Case K, supplied in a dry location enclosure
- RGB**
- D-550-20003: EldoLED LIN100D2, CV 24V DMX/Sequencer Interface, requires a 24VDC driver ordered separately. (DMX control not included)

No enclosure, unless stated. Im80 values shown.



Ordering Information ¹						
Model	Length	Power	Color	Optics	Voltage	Options
FX SD	12 24 48 RXX	H	30 40 B RGB	SP SP20 FL FL20 GR GR20	24	SH HL C20 C30

¹Specify remote power supply separately below.



Luminaire

- Linear line of light with high performance for outdoor and indoor use
- Trimless for seamless integration into grade
- Single luminaire or continuous run of standard lengths
- UL STD 1598, wet location, driveover rated 3000 lb static load
- Stainless steel construction 304 with clear tempered glass 3/8" thick
- Installation housing, stainless steel 304 construction, direct concrete pour
- Supplied with oil and water resistant 3' feed cable standard, single color 18/2 AWG, RGB 18/4 AWG

Length

- 12 = 12.75" (324mm) OAL
- 24 = 24.56" (624mm) OAL
- 48 = 48.18" (1224mm) OAL
- RXX = R(dimension) continuous run of standard lengths ONLY

Power

- H = 12.5W/ft, 3000K, 680 lm/ft
- H = 12.5W/ft, RGB, 625 lm/ft
R 185 lm/ft, G 400 lm/ft, B 40 lm/ft

Power Supply (Remote)

Non-Dim

- D-520-24007: Osram 96W, 24VDC, 120-277VAC

Dim

- D-520-24006: Osram 10% 0-10V dimming, 96W, 24VDC, 120-277VAC
- IL-JB-LED-24003-120V-DFPN: Lutron LTE 1% Forward Phase (with neutral) dimming, 5-40W, 24VDC, 120VAC, Case K, dry location enclosure (not suitable for 48" fixtures)

- IL-JB-LED-24010-UNV-D3W: Lutron L3D 1% 3-wire dimming, 5-40W, 24VDC, 120-277VAC, Case K, dry location enclosure (not suitable for 48" fixtures)

- IL-JB-LED-24010-UNV-DES: Lutron L3D 1% EcoSystem dimming, 5-40W, 24VDC, 120-277VAC, Case K, supplied in a dry location enclosure (not suitable for 48" fixtures)

RGB

- D-550-20003: EldoLED LIN100D2, CV 24V DMX/Sequencer Interface, requires a 24VDC driver ordered separately. (DMX control not included)

Color Temperature

- 30 = 3000K
- 40 = 4000K
- B = blue
- RGB
- 2 Step MacAdam
- CRI: > 83

Optics

- SP = spot - 11°
- SP20 = spot - 11°, 20° tilt
- FL = flood - 36°
- FL20 = flood - 36°, 20° tilt
- GR = graze - 14 x 22°
- GR20 = graze 20 - 14 x 22°, 20° tilt

Voltage

- 24 = 24VDC fixture voltage

Options

- SH = shallow housing (3" deep)
- HL = honeycomb louver
- C20 = 20'(6m) feed cable
- C30 = 30'(9m) feed cable

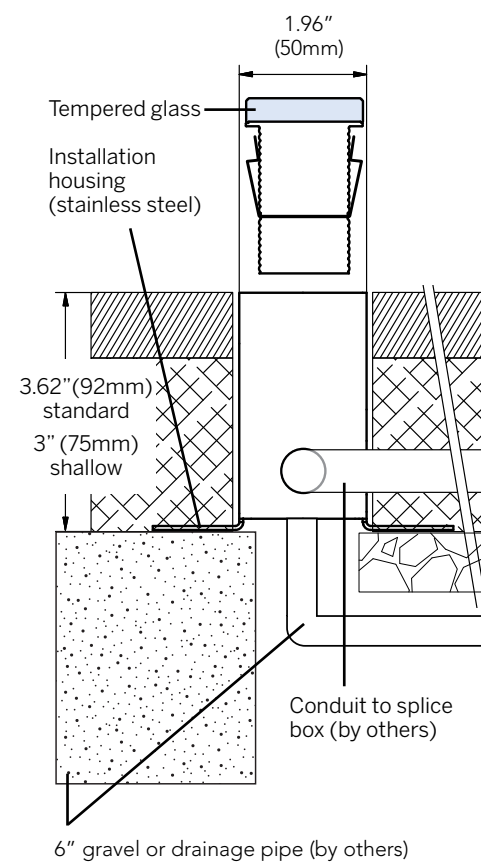
No enclosure, unless stated. Im80 values shown.



Ordering Information¹

Model	Length	Power	Color	Optics	Voltage	Options
FX SW	12 24 48 RXX	H	30 40	WW	24	SH C20 C30

¹Specify remote power supply separately below.



Luminaire

- Linear line of light with wallwash effect for outdoor and indoor use
- Trimless for seamless integration into grade
- Single luminaire or continuous run of standard lengths
- UL STD 1598, wet location, driveover rated 3000 lb
- Stainless steel construction 304 with clear tempered glass 3/8" thick, with asymmetric optics
- Installation housing, stainless steel 304 construction, direct concrete pour
- Supplied with oil and water resistant 3' feed cable standard, single color 18/2 AWG

Length

- 12 = 12.75" (324mm) OAL
- 24 = 24.56" (624mm) OAL
- 48 = 48.18" (1224mm) OAL
- RXX = R(dimension) continuous run of standard lengths ONLY

Power Supply (Remote)

- Non-Dim**
- D-520-24007: Osram 96W, 24VDC, 120-277VAC
- Dim**
- D-520-24006: Osram 10% 0-10V dimming, 96W, 24VDC, 120-277VAC
 - IL-JB-LED-24003-120V-DFPN: Lutron LTE 1% Forward Phase (with neutral) dimming, 5-40W, 24VDC, 120VAC, Case K, dry location enclosure
 - IL-JB-LED-24010-UNV-D3W: Lutron L3D 1% 3-wire dimming, 5-40W, 24VDC, 120-277VAC, Case K, dry location enclosure

Power

- H = 7.5W/ft, 3000K, 550 lm/ft

Color Temperature

- 30 = 3000K
- 40 = 4000K
- 2 Step MacAdam
- CRI: > 85

Optics

- WW = wallwash

Voltage

- 24 = 24VDC fixture voltage

Options

- SH = shallow housing (3" deep)
- C20 = 20'(6m) feed cable
- C30 = 30'(9m) feed cable

- IL-JB-LED-24010-UNV-DES: Lutron L3D 1% EcoSystem dimming, 5-40W, 24VDC, 120-277VAC, Case K, supplied in a dry location enclosure
- RGB**
- D-550-20003: EldoLED LIN100D2, CV 24V DMX/Sequencer Interface, requires a 24VDC driver ordered separately. (DMX control not included)

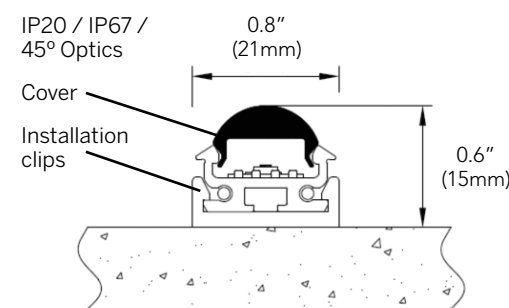
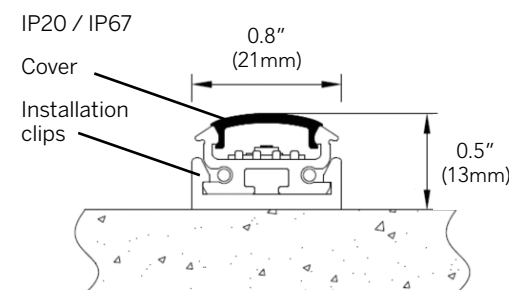
No enclosure, unless stated. Im80 values shown.



Ordering Information¹

Model	IP	Length	Power	Color	Optics	Voltage	Options
FX LI						24	
FX LI	20 67	13 to 80 OAL (IP20)	H L	30 40 30 40 B RGB	120° 45°	24	BF AC JC1 JC2 PF3

¹Specify remote power supply separately below.



Luminaire

- Surface mounted linear LED for outdoor and indoor use
- Single luminaire or continuous run of standard lengths
- UL STD 1598
- Extruded aluminum body, anodized, with protective PMMA cover, or cover with selected optics
- Installation clips for wall or ceiling installation
- Supplied with input & output 4" plug and play connector standard and 4" feed cable

IP Rating

- 20 = IP20 (dry location)
- 67 = IP67 (wet location)

Length

- 13" nom. (320mm) to 80" nom. (2020mm) OAL for IP20
- 13" nom. (330mm) to 80" nom. (2030mm) OAL for IP67

Power

- H = 7.5W/ft, 3000K, 550 lm/ft
- L = 3W/ft, 3000K, 210 lm/ft
- L = 4.5W/ft, RGB:
R 29 lm/ft, G 65 lm/ft, B 15 lm/ft

Color Temperature

- 30 = 3000K
- 40 = 4000K
- B = blue
- RGB
- 2 Step MacAdam
- CRI: > 85

Optics

- 120 = 120 degree angle
- 45 = 45 degree angle

Voltage

- 24 = 24VDC fixture voltage

Options

- BF = bottom feed cable (standard side feed)
- AC = adjustable mounting clips
- JC1 = 1' jumper cable
- JC2 = 3' jumper cable
- PF3 = 3' power feed

Power Supply (Remote)

Non-Dim

- D-520-24007: Osram 96W, 24VDC, 120-277VAC

Dim

- D-520-24006: Osram 10% 0-10V dimming, 96W, 24VDC, 120-277VAC
- IL-JB-LED-24003-120V-DFPN: Lutron LTE 1% Forward Phase (with neutral) dimming, 5-40W, 24VDC, 120VAC, Case K, dry location enclosure
- IL-JB-LED-24010-UNV-D3W: Lutron L3D 1% 3-wire dimming, 5-40W, 24VDC, 120-277VAC, Case K, dry location enclosure

- IL-JB-LED-24010-UNV-DES: Lutron L3D 1% EcoSystem dimming, 5-40W, 24VDC, 120-277VAC, Case K, supplied in a dry location enclosure

RGB

- D-550-20003: EldoLED LIN100D2, CV 24V DMX/Sequencer Interface, requires a 24VDC driver ordered separately. (DMX control not included)

No enclosure, unless stated. Im80 values shown.



Ordering Information¹

Model	IP	Length	Power	Color	Optics	Voltage	Options
FX FX	65 68 20	22 to 199 OAL	L	30 40 B RGB	120°	24	C20 C30

¹Specify remote power supply separately below.

Luminaire

- Flexible white and color changing submersible LED with for outdoor and indoor use
- UL STD 1598; UL STD 676 submersible
- Submersible installation by plastic thermo resistant holder fixed with two screws on clip mounting system
- Flexible PVC construction body in extruded self-quench, UV stabilized PVC with silicone end caps filled with UV stabilized resin to ensure high IP grade
- Installation clips
- Supplied with oil and water resistant 10' feed cable standard, single color 18/2 AWG, RGB 18/4 AWG

IP Rating

- 65 = IP65 (wet location)
- 68 = IP68 (submersible location)
- 20 = IP20 (dry location)

Length

- 22 = 21.65" (550mm) OAL
- 199 = 198.22" (5050mm) OAL

Power

- L = 3W/ft, 4000K, 230 lm/ft
- L = 3W/ft, blue, 33 lm/ft
- L = 4.5W/ft, RGB:
R 29 lm/ft, G 65 lm/ft, B 15 lm/ft

Color Temperature

- 30 = 3000K
- 40 = 4000K
- B = blue
- RGB
- 2 Step MacAdam
- CRI: > 85

Optics

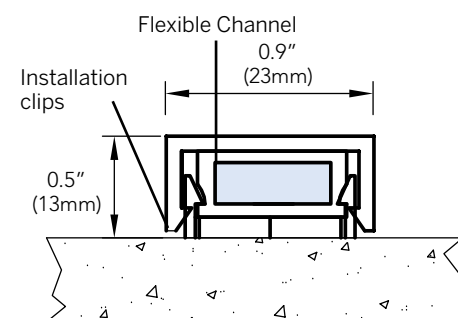
- 120 = 120 degree angle

Voltage

- 24 = 24VDC fixture voltage

Options

- C20 = 20'(6m) feed cable
- C30 = 30'(9m) feed cable



Power Supply (Remote)

Non-Dim

- D-520-24007: Osram 96W, 24VDC, 120-277VAC

Dim

- D-520-24006: Osram 10% 0-10V dimming, 96W, 24VDC, 120-277VAC
- IL-JB-LED-24003-120V-DFPN: Lutron LTE 1% Forward Phase (with neutral) dimming, 5-40W, 24VDC, 120VAC, Case K, dry location enclosure²
- IL-JB-LED-24010-UNV-D3W: Lutron L3D 1% 3-wire dimming, 5-40W, 24VDC, 120-277VAC, Case K, dry location enclosure²

- IL-JB-LED-24010-UNV-DES: Lutron L3D 1% EcoSystem dimming, 5-40W, 24VDC, 120-277VAC, Case K, supplied in a dry location enclosure²

RGB

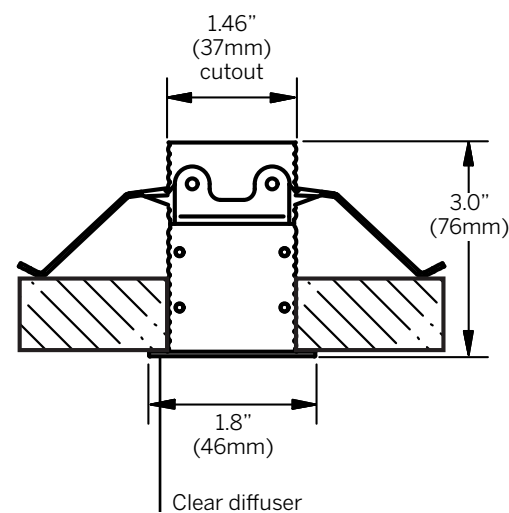
- D-550-20003: EldoLED LIN100D2, CV 24V DMX/Sequencer Interface, requires a 24VDC driver ordered separately. (DMX control not included)

No enclosure, unless stated. Im80 values shown. ²156" max fixture length.



Ordering Information ¹							
Model	IP	Length	Power	Color	Optics	Voltage	Options
FX OFD			H			24	
FX OFD	20 44	13 25 48 C13 C25 RXX	H	30 40 B RGB	SP SP20 FL FL20 GR	24	EC

¹Specify remote power supply separately below.



Luminaire

- Linear line of light with high performance optics for indoor or outdoor under canopy use
- Single luminaire or continuous run of standard lengths
- UL STD 1598
- Extruded aluminum body, anodized, with clear diffuser 0.16" thick
- Supplied with 3' feed cable standard

IP Rating

- 20 = IP20 (dry location)
- 44 = IP44 (indoor damp location, or outdoor under canopy)

Length

- 13 = 13" (330mm) OAL (3000K only)
- 25 = 24.8" (630mm) OAL
- 48 = 48.4" (1230mm) OAL
- C13 = 13.3" (338.5mm) white corner fixture
- C25 = 25.1" (638.5mm) RGB corner fixture
- RXX = continuous run of standard lengths ONLY

Power

- H = 12.5W/ft, 3000K - 4000K, 680 lm/ft
- H = 12.5W/ft, RGB, 625 lm/ft R 185 lm/ft, G 400 lm/ft, B 40 lm/ft

Color Temperature

- 30 = 3000K
- 40 = 4000K
- B = blue
- RGB
- 2 Step MacAdam
- CRI: > 83

Optics

- SP = spot - 11°
- SP20 = spot - 11°, 20° tilt
- FL = flood - 36°
- FL20 = flood - 36°, 20° tilt
- GR = graze - 14 x 22°

Voltage

- 24 = 24VDC fixture voltage

Options

- EC = end caps, order separately

Power Supply (Remote)

Non-Dim

- D-520-24007: Osram 96W, 24VDC, 120-277VAC

Dim

- D-520-24006: Osram 10% 0-10V dimming, 96W, 24VDC, 120-277VAC
- IL-JB-LED-24003-120V-DFPN: Lutron LTE 1% Forward Phase (with neutral) dimming, 5-40W, 24VDC, 120VAC, Case K, dry location enclosure (not suitable for 48" fixtures)
- IL-JB-LED-24010-UNV-D3W: Lutron L3D 1% 3-wire dimming, 5-40W, 24VDC, 120-277VAC, Case K, dry location enclosure (not suitable for 48" fixtures)

- IL-JB-LED-24010-UNV-DES: Lutron L3D 1% EcoSystem dimming, 5-40W, 24VDC, 120-277VAC, Case K, supplied in a dry location enclosure (not suitable for 48" fixtures)

RGB

- D-550-20003: EldoLED LIN100D2, CV 24V DMX/Sequencer Interface, requires a 24VDC driver ordered separately. (DMX control not included)

No enclosure, unless stated. Im80 values shown.



Ordering Information ¹						
Model	IP	Length	Power ²	Color	Optics	Voltage
FX OF					LL	24
FX OF	20 44	13 25 48 C13 C25 RXX	H L	30 40 30 40 B RGB	LL	24

¹Specify remote power supply separately below. ²H recommended for higher ambient light environs.

Luminaire

- Linear line of light for indoor or outdoor under canopy use
- Single luminaire or continuous run of standard lengths
- UL STD 1598
- Extruded aluminum body, anodized, with opal diffuser 0.16" thick
- Supplied with 3' feed cable standard

IP Rating

- 20 = IP20 (dry location)
- 44 = IP44 (indoor damp location, or outdoor under canopy)

Length

- 13 = 13" (330mm) OAL (3000K only)
- 25 = 24.8" (630mm) OAL
- 48 = 48.4" (1230mm) OAL
- C13 = 13.3" (338.5mm) white corner fixture
- C25 = 25.1" (638.5mm) RGB corner fixture
- RXX = continuous run of standard lengths ONLY

Power²

- H = 7.5W/ft, 3000K, 550 lm/ft
- L = 3W/ft, 3000K, 210 lm/ft
- L = 3W/ft, blue, 165 lm/ft
- L = 4.5W/ft, RGB:
R 29 lm/ft, G 65 lm/ft, B 15 lm/ft

Color Temperature

- 30 = 3000K
- 40 = 4000K
- B = blue
- RGB
- 2 Step MacAdam
- CRI: > 85

Optics

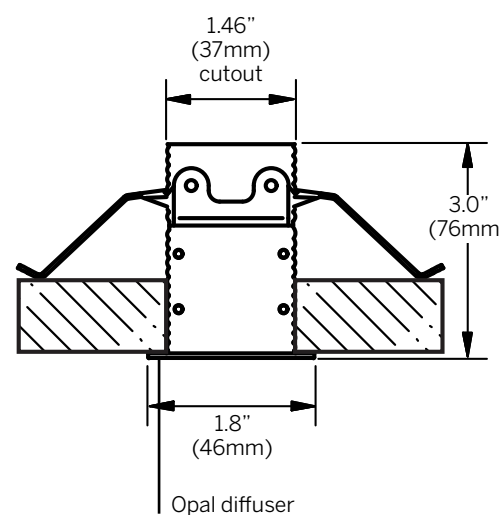
- LL = even illuminated line of light

Voltage

- 24 = 24VDC fixture voltage

Options

- EC = end caps, order separately



Power Supply (Remote)

Non-Dim

- D-520-24007: Osram 96W, 24VDC, 120-277VAC

Dim

- D-520-24006: Osram 10% 0-10V dimming, 96W, 24VDC, 120-277VAC
- IL-JB-LED-24003-120V-DFPN: Lutron LTE 1% Forward Phase (with neutral) dimming, 5-40W, 24VDC, 120VAC, Case K, dry location enclosure
- IL-JB-LED-24010-UNV-D3W: Lutron L3D 1% 3-wire dimming, 5-40W, 24VDC, 120-277VAC, Case K, dry location enclosure

- IL-JB-LED-24010-UNV-DES: Lutron L3D 1% EcoSystem dimming, 5-40W, 24VDC, 120-277VAC, Case K, supplied in a dry location enclosure

RGB

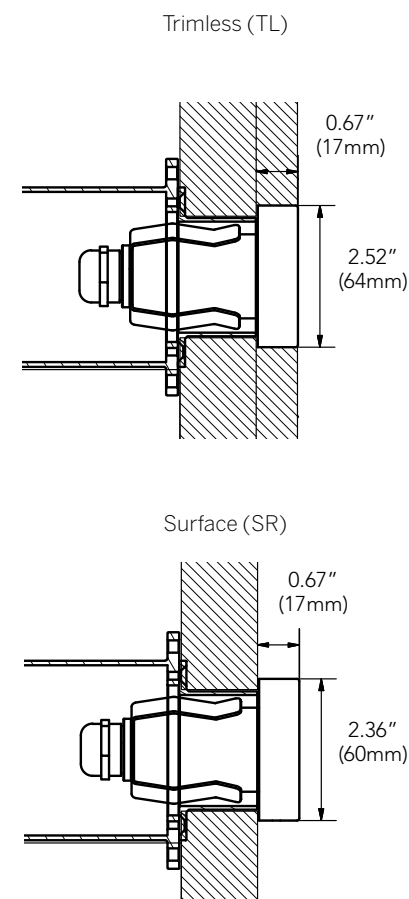
- D-550-20003: EldoLED LIN100D2, CV 24V DMX/Sequencer Interface, requires a 24VDC driver ordered separately. (DMX control not included)

No enclosure, unless stated. Im80 values shown.



Ordering Information ¹					
FXAS				12	
Model	Power	Color	Optics	Voltage	Housing ²
FXAS	H L	40	SP FL	12	TL SR
	L	RGB			

¹Specify remote power supply separately below. ²See spec sheet for installation details



Luminaire

- Underwater LED with high performance optics. Glass lens creates optical effect of narrow and wide beam.
- UL STD 676, submersible (only), fountain applications, max depth 10'
- Remote power supply
- Stainless steel construction 316L marine grade, with clear tempered glass
- Installation housing, stainless steel 316L marine grade construction, direct concrete pour
- Supplied with oil and water resistant 14' feed cable standard, single color 18/2 AWG, RGB 18/4 AWG

Dimensions

- 2.52" ø x 8.49" (64mm x 216mm) trimless
- 2.36" ø x 8.49" (60mm x 216mm) trim

Power

- H = 3.6W, 4000K, 333 lm
- L = 1.2W, 4000K, 111 lm
- L = 4.2W, RGB:
R 54 lm, G 54 lm, B 18 lm

Color Temperature

- 40 = 4000K
- RGB
- 2 Step MacAdam
- CRI: > 83

Optics

- SP = spot - 10 degree
- FL = flood - 30 degree

Voltage

- 12 = 12VDC fixture voltage

Housing²

- TL = trimless, stainless steel 316L
- SR = surface trim, stainless steel 316L, fountain use only

Power Supply (Remote)

Non-Dim

- D-520-12006: LED Driver, Lightech, Non-Dim, 25W, 12V, 120/277V, No enclosure.
- D-520-12009: LED Driver, Lightech, Non-Dim, 100W (Class 1), 12V, 120/277V, No enclosure.

Dim

- IL-JB-LED-12004-120V-DFPN: LED Driver, Lutron Hi-Lume A Series, Forward Phase (with neutral) 1% dimming, 5W-40W, 24V, 120V, Supplied in a Dry location enclosure.
- IL-JB-LED-12007-UNV-D3W: LED Driver, Lutron Hi-Lume A Series, 3-Wire fluorescent 1% dimming, 5W-40W, 24V, 120/277V, Supplied in a dry location enclosure.

- IL-JB-LED-12007-UNV-DES: LED Driver, Lutron Hi-Lume A Series, EcoSystem 1% dimming, 5W-40W, 24V, 120/277V, Supplied in a dry location enclosure.

RGB

- D-550-20003: EldoLED LIN100D2, CV 12/24V DMX/Sequencer Interface for RGB fixtures, 1.3A Max per output RGB@24V, 2A Max per output RGB@12V, Requires a Non-Dim 12V CV driver ordered separately, DMX Control ordered separately. No enclosure.

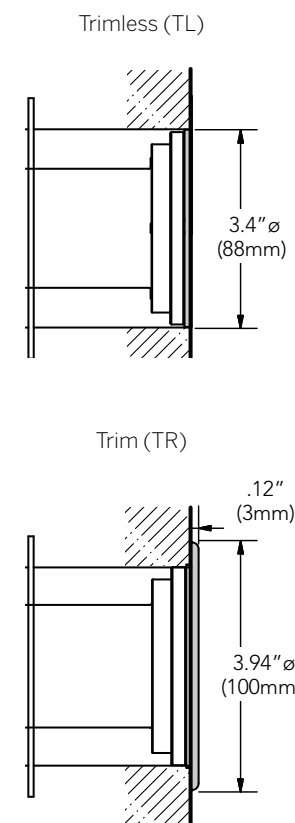
No enclosure, unless stated. Im80 values shown.



Ordering Information¹

Model	Power	Color	Optics	Voltage	Housing ²
FX AM				12	
FX AM	H	40	SP	12	TL TR
	L		FL		
	L	RGB			

¹Specify remote power supply separately below. ²See spec sheet for installation details



Luminaire

- Underwater LED with high performance optics. Glass lens creates optical effect of narrow and wide beam.
- UL STD 676, submersible (only), pool and fountain applications, max depth 10'
- Remote power supply
- Stainless steel construction 316L marine grade, with clear tempered glass
- Installation housing, stainless steel 316L marine grade construction, direct concrete pour
- Supplied with oil and water resistant 14' feed cable standard, single color 18/2 AWG, RGB 18/4 AWG

Dimensions

- 3.4"ø x 8.2" (88mm x 208mm) trimless
- 3.94"ø x 8.2" (100mm x 208mm) trim

Power

- H = 9W, 4000K, 835 lm
- L = 4.8W, 4000K, 445 lm
- L = 12W, RGB:
R 359 lm, G 514 lm, B 155 lm

Color Temperature

- 40 = 4000K
- 2 Step MacAdam
- RGB
- CRI: > 83

Optics

- SP = spot - 10 degree
- FL = flood - 30 degree

Voltage

- 12 = 12VDC fixture voltage

Housing²

- TL = trimless, stainless steel 316L
- TR = trim, stainless steel 316L

Power Supply (Remote)

Non-Dim

- D-520-12006: LED Driver, Lightech, Non-Dim, 25W, 12V, 120/277V, No enclosure.
- D-520-12009: LED Driver, Lightech, Non-Dim, 100W (Class 1), 12V, 120/277V, No enclosure.

Dim

- IL-JB-LED-12004-120V-DFPN: LED Driver, Lutron Hi-Lume A Series, Forward Phase (with neutral) 1% dimming, 5W-40W, 24V, 120V, Supplied in a Dry location enclosure.
- IL-JB-LED-12007-UNV-D3W: LED Driver, Lutron Hi-Lume A Series, 3-Wire fluorescent 1% dimming, 5W-40W, 24V, 120/277V, Supplied in a dry location enclosure.

- IL-JB-LED-12007-UNV-DES: LED Driver, Lutron Hi-Lume A Series, EcoSystem 1% dimming, 5W-40W, 24V, 120/277V, Supplied in a dry location enclosure.

RGB

- D-550-20003: EldoLED LIN100D2, CV 12/24V DMX/Sequencer Interface for RGB fixtures, 1.3A Max per output RGB@24V, 2A Max per output RGB@12V, Requires a Non-Dim 12V CV driver ordered separately, DMX Control ordered separately. No enclosure.

No enclosure, unless stated. Im80 values shown.

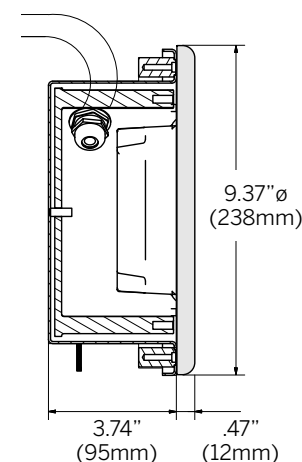


Ordering Information¹

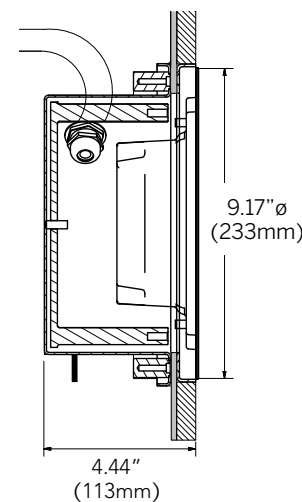
Model	Power	Color	Optics	Voltage	Housing ²
FX AL	H L	40 RGB	SP FL	12	FT FF FW TL

¹Specify remote power supply separately below. ²See spec sheet for installation details

Flange Tiles / Flange Liner / Flange Thin Wall³



Trimless



Luminaire

- Underwater LED with high performance optics. Glass lens creates optical effect of narrow and wide beam.
- UL STD 676, submersible (only), pool and fountain applications, max depth 10'
- Remote power supply
- Stainless steel construction 316L marine grade, with clear tempered glass
- Installation housing, stainless steel 316L marine grade construction, direct concrete pour
- Supplied with oil and water resistant 14' feed cable standard, single color 18/2 AWG, RGB 18/4 AWG

Dimensions

- 9.37"ø x 4.25" (238mm x 110mm) flange tiles
- 9.37"ø x 4.25" (238mm x 110mm) flange liner
- 9.37"ø x 4.25" (238mm x 110mm) flange thin wall
- 9.17"ø x 4.25" (233mm x 110mm) trimless

Power Supply (Remote)

- Non-Dim**
- D-520-12006: LED Driver, Lightech, Non-Dim, 25W, 12V, 120/277V, No enclosure.
 - D-520-12009: LED Driver, Lightech, Non-Dim, 100W (Class 1), 12V, 120/277V, No enclosure.
- Dim**
- IL-JB-LED-12004-120V-DFPN: LED Driver, Lutron Hi-Lume A Series, Forward Phase (with neutral) 1% dimming, 5W-40W, 24V, 120V, Supplied in a Dry location enclosure.
 - IL-JB-LED-12007-UNV-D3W: LED Driver, Lutron Hi-Lume A Series, 3-Wire fluorescent 1% dimming, 5W-40W, 24V, 120/277V, Supplied in a dry location enclosure.

Power

- H = 65W, 4000K, 6045 lm
- L = 33W, 4000K, 2790 lm
- H = 65W, RGB:
R 1218 lm, G 1743 lm, B 525 lm
- L = 33W, RGB:
R 638 lm, G 913 lm, B 275 lm

Color Temperature

- 40 = 4000K
- RGB
- 2 Step MacAdam
- CRI: > 83

Optics

- SP = spot - 10 degree
- FL = flood - 30 degree

Voltage

- 12 = 12VDC fixture voltage

Housing²

- FT = flange tiles (tile/concrete)
- FF = flange liner (liner insert)
- FW = flange thin wall (stainless or similar surface)
- TL = trimless

IL-JB-LED-12007-UNV-DES: LED Driver, Lutron Hi-Lume A Series, EcoSystem 1% dimming, 5W-40W, 24V, 120/277V, Supplied in a dry location enclosure.

RGB

D-550-20003: EldoLED LIN100D2, CV 12/24V DMX/Sequencer Interface for RGB fixtures, 1.3A Max per output RGB@24V, 2A Max per output RGB@12V, Requires a Non-Dim 12V CV driver ordered separately, DMX Control ordered separately. No enclosure.

No enclosure, unless stated. Im80 values shown.



inter•lux

3741 Commerce Drive
Suites 306-308
Baltimore, MD 21227
410-381-1497
answers@inter-lux.com
inter-lux.com

FILIX