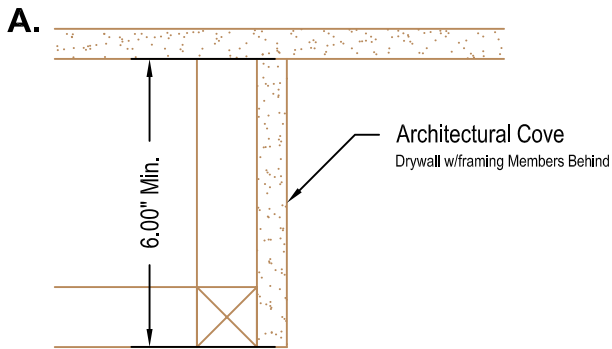


# Mini Edgeless Cove

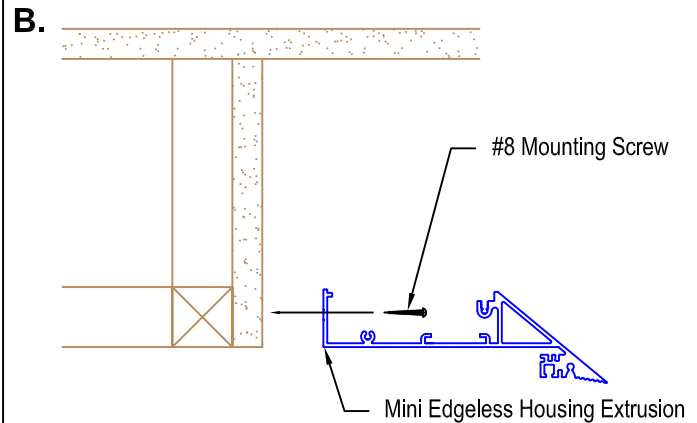
## Installation Instructions

- Read all of these instructions before installing fixtures.
- Keep all of the instructions for future reference.
- Turn off power before installing fixture.
- Installation is to be performed by a qualified electrician only.
- All installations are to conform to the standards of the National Electrical Code as well as all local jurisdictional codes and regulations.
- Any modification of the luminaire will void any and all written or implied warranties.
- Do not open the luminaire. This will void the IP rating.
- The manufacturer accepts no responsibility for damage to persons or property arising through improper use or installation.

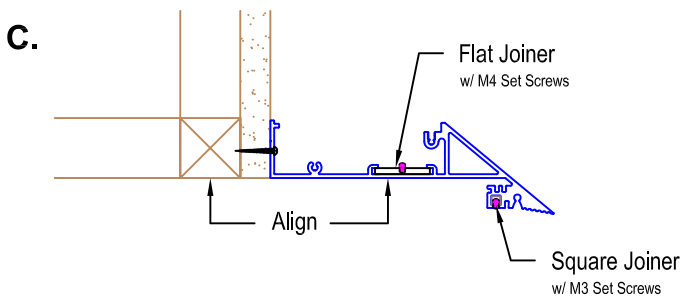
**THIS PRODUCT MUST BE INSTALLED IN ACCORDANCE WITH THE APPLICABLE INSTALLATION CODE BY A PERSON FAMILIAR WITH THE CONSTRUCTION AND OPERATION OF THE PRODUCT AND THE HAZARDS INVOLVED**



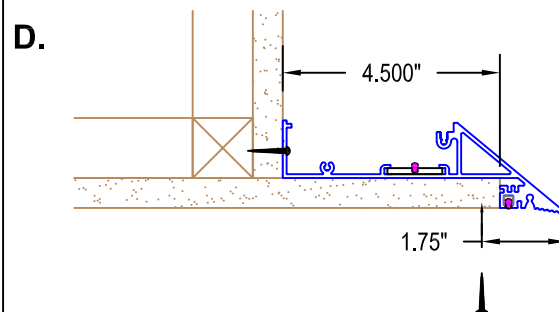
1. Mount Driver in Enclosure where required and run low voltage wire from this location to the applicable area.
2. Create Architectural Cove as shown and as required. Cover framing members with drywall to ceiling cove and wall. Tape and mud joints. Sand smooth and paint as required.



3. Mount Mini Edgeless Housing Extrusion to to cove wall as shown using #8 screws at 48" O.C. max. Fixture weighs 3lbs/ft and supporting structure is required to support this.
  - 3.1. it is recommended to start mounting at end wall (for linear applications) or a corner (for rectangular shapes).



4. Mount additional housing extrusions by sliding provided flat and square joiners into installed housing and tightening pre-installed set screws. Adjacent housings can now be joined by sliding onto joiners and tightening the remaining set screws. Complete this as required for remaining housings in the run.



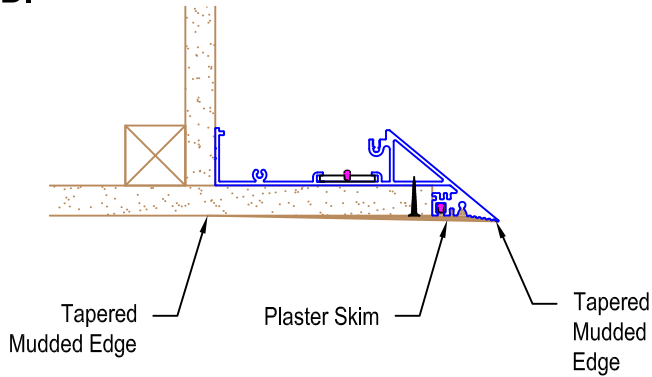
5. Install  $\frac{5}{8}$ " drywall to underside of the extrusion housing and fasten with  $1\frac{1}{4}$ " drywall screw as shown.

**\*\*Complete this step for all housings per single area as shown on Record Drawings before proceeding to Step D.**

# Mini Edgeless Cove

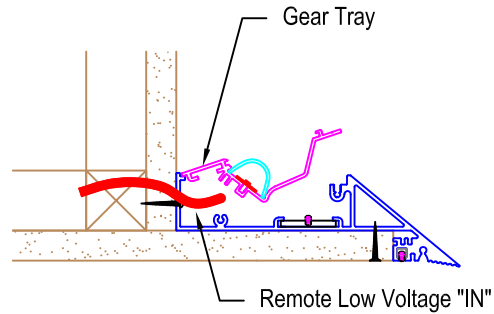
## Installation Instructions

D.



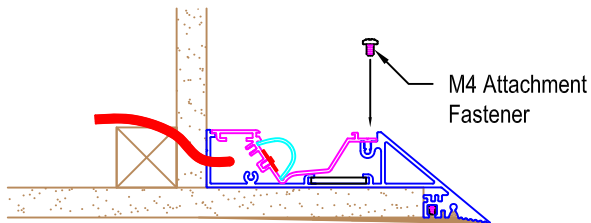
6. Apply joint tape and mud to form a smooth taper from flat of drywall to nose of extrusion.

E.



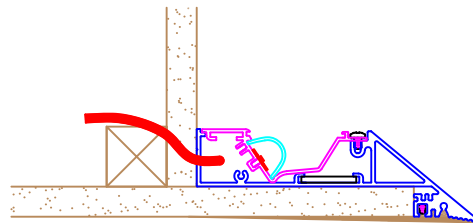
7. Before setting Gear Trays into Housing Extrusion, make up initial low voltage connection from remote driver to Gear Tray.
  - 7.1. Gear Trays requiring this are shown to be fed by a remote driver. Refer to Record Drawings for project specific fixtures and "Gear Tray Configuration Information" addendum for information on "FT" and "DE" wiring.
8. Insert gear trays into Housing Extrusion and make up low voltage according to "Gear Tray Configuration Information" addendum.

F.



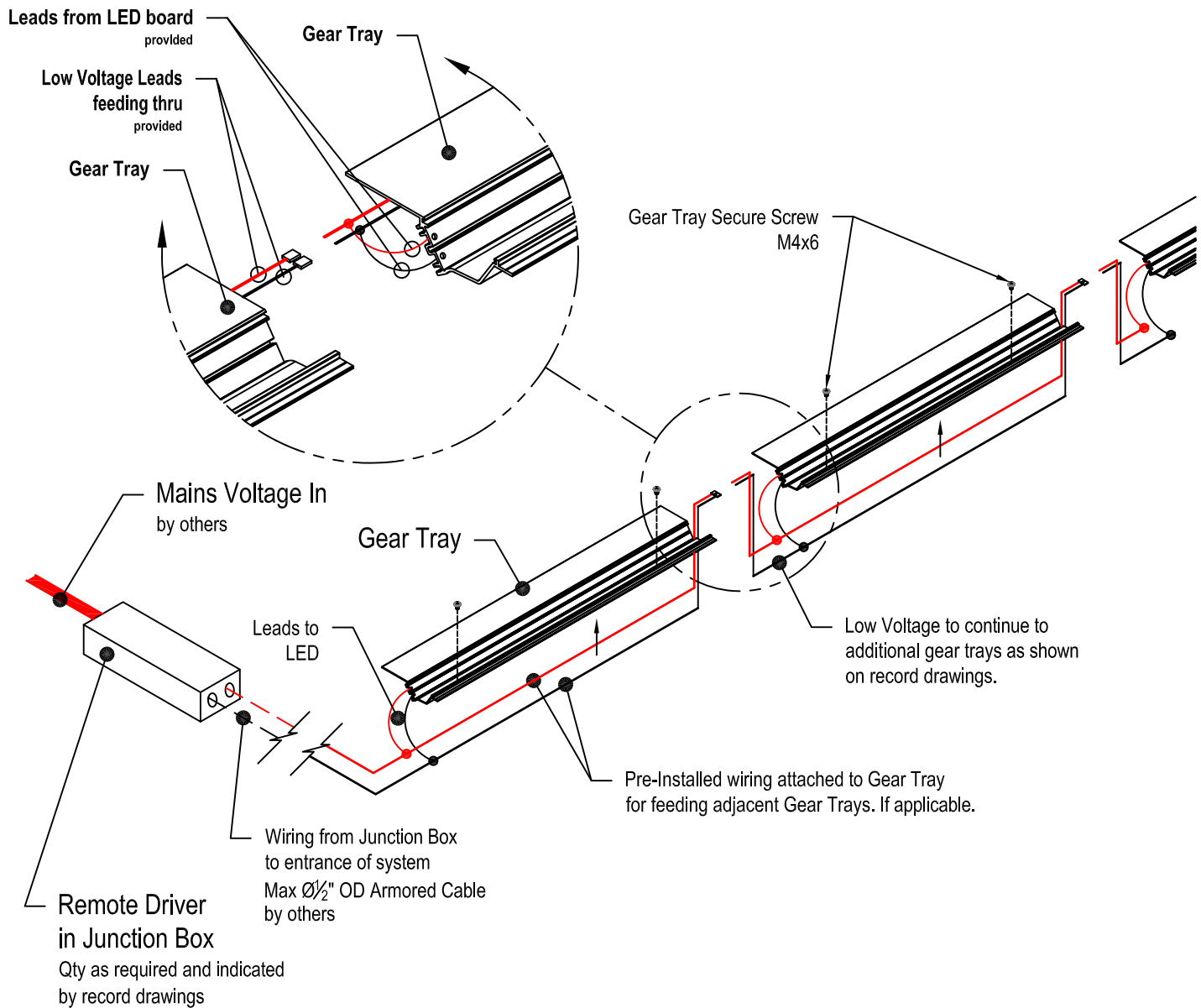
9. Align Gear Trays within specific areas (according to Record Drawings) and butt against each other. Secure with provided M4 Attachment Fasteners through pre-drilled holes.

G.



10. Once all wire connections are made and comply with the NEC, the fixture is ready to energize.

## Gear Tray Configuration Information



**Fixture Code Description:**

WG-GTM<sub>1</sub>XXXXX<sub>7</sub>X<sub>1</sub>XX<sub>1</sub>24VDC<sub>1</sub>XX

- Identifies Brand & Component (Gear Tray)
- Indicates Length (in) (Ex. 47953 = 47.953")
- Low [L], Medium [M] or High [H] Power
- LED Color Temperature
- Low Voltage Specification
- Feed Thru [FT] or Dead End [DE] Designation  
FT - Feeds to adjacent gear tray  
DE - Low Voltage ends