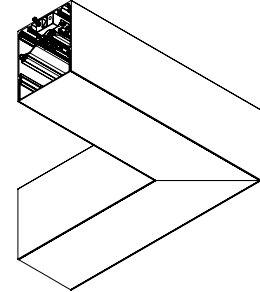
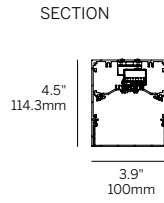
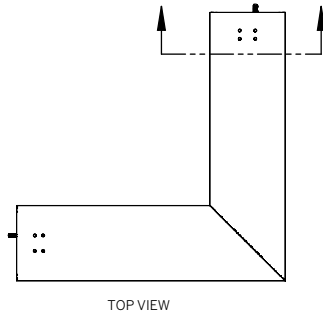


100 Linear Suspended

PATTERN CORNER (P)

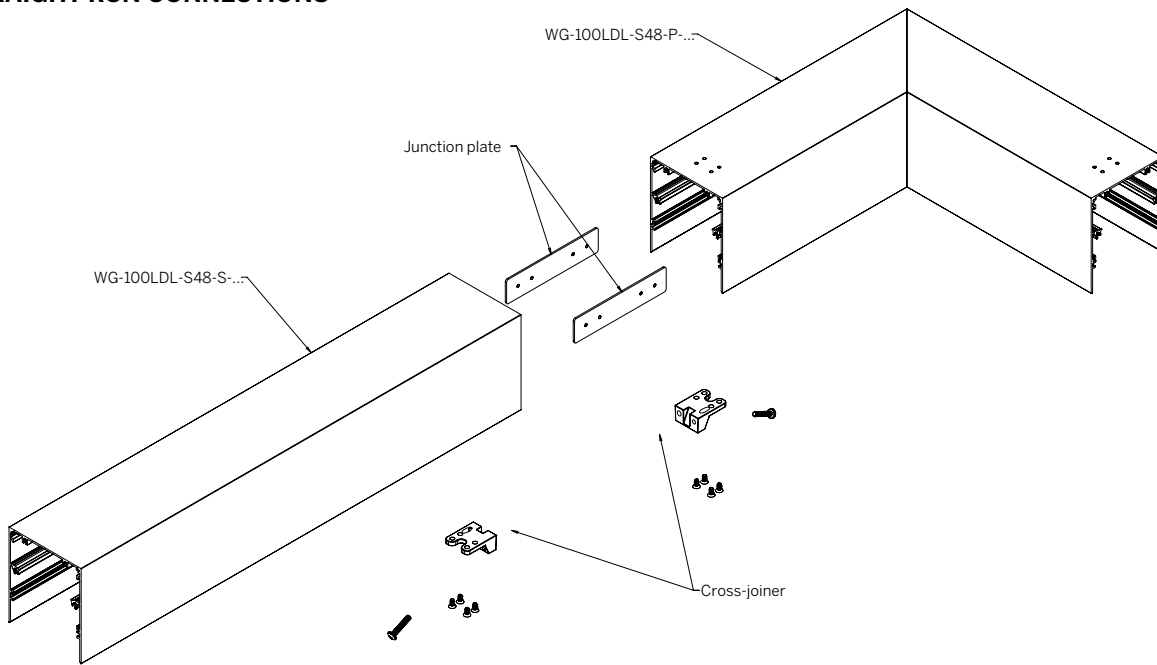
WG-100LDL-S48...-P



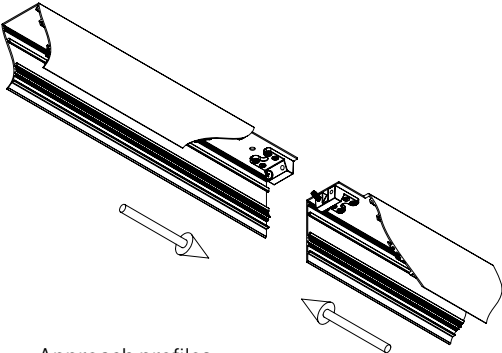
Mitered + Welded Housing
Mitered + Butted Lens

Minimum Angle 45°
Maximum Angle 180°

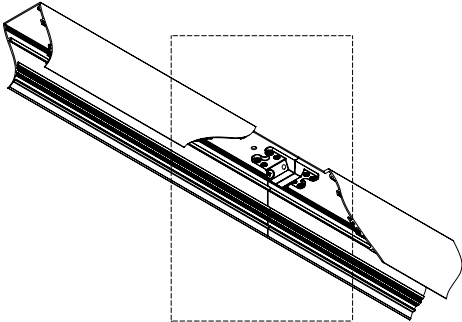
CORNER + STRAIGHT RUN CONNECTIONS



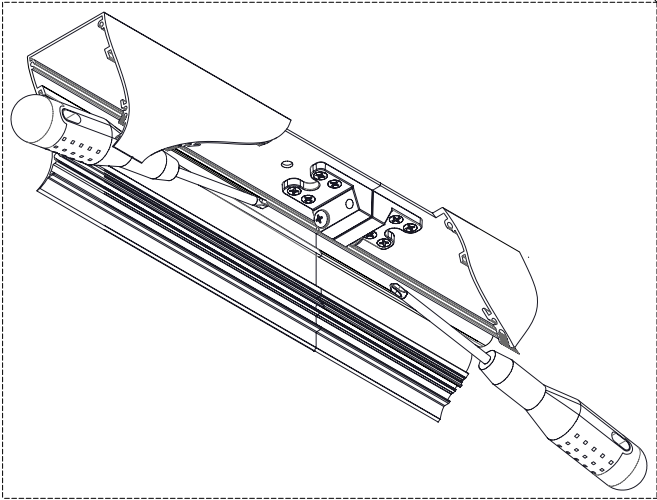
CROSS JOINER



Approach profiles

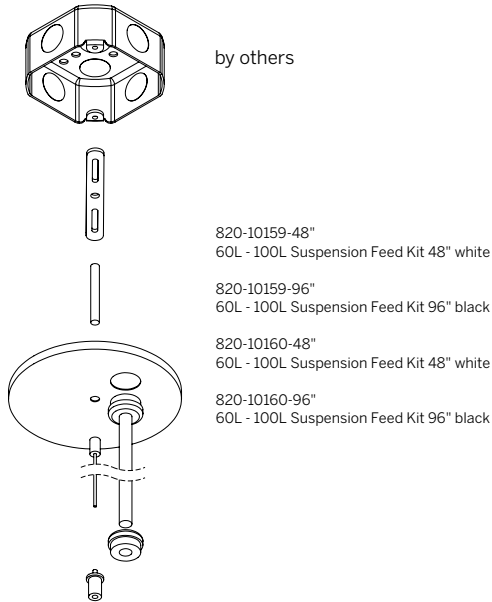


Tighten the screws

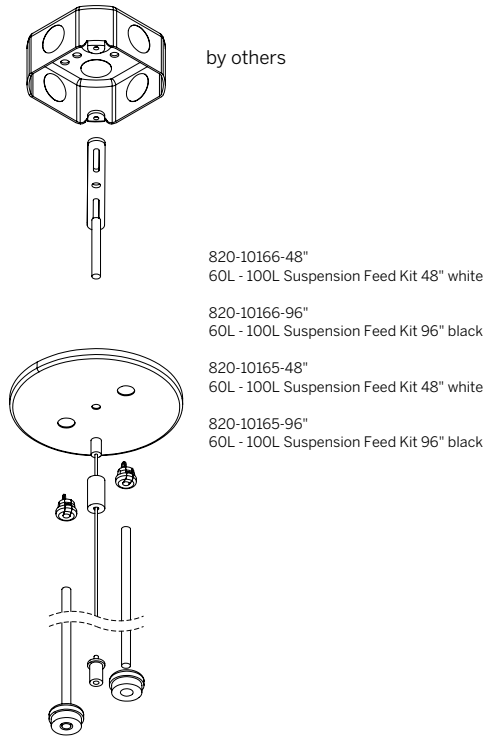


MOUNTING / CANOPIES

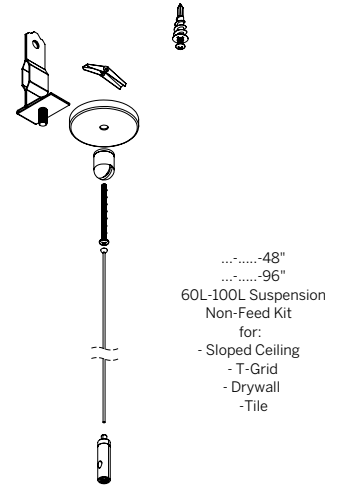
Power + Suspension Canopy
Single Feed



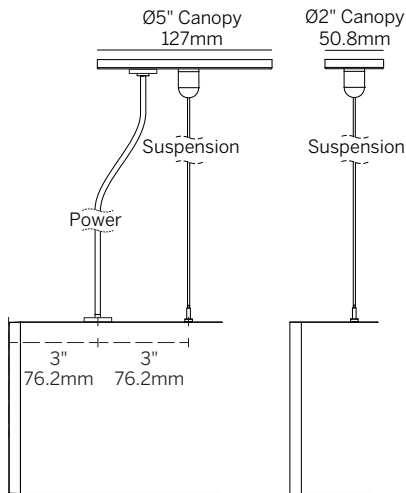
Power + Suspension Canopy
Dual Feed



Suspension Canopy
Non Feed



SUSPENSION / MOUNTING



Power Feed + Suspension

100 Linear Suspended

PROFILE DIMENSIONS

