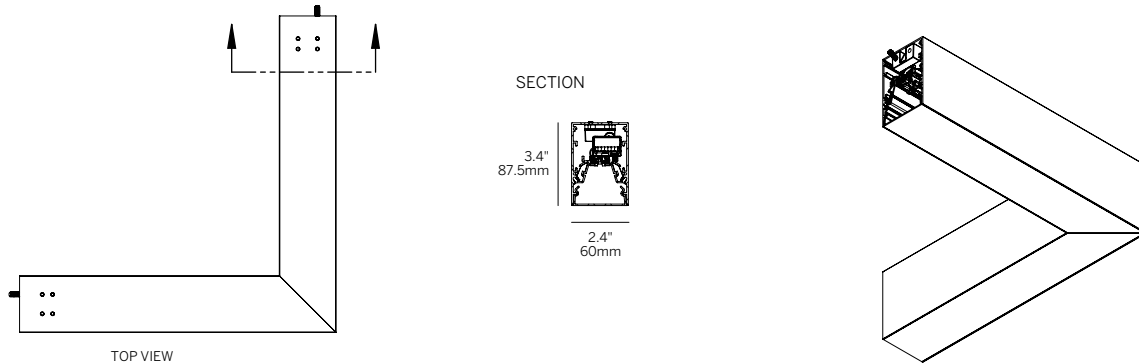


60 Linear Surface

PATTERN CORNER (P)

WG-60LDL-SM-P

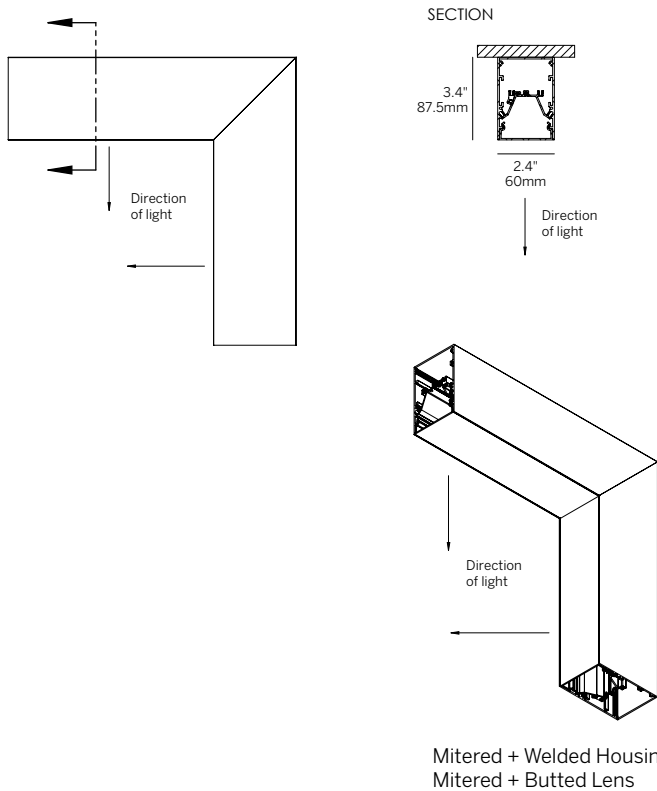


Minimum Angle 45°
Maximum Angle 180°

Mitered + Welded Housing
Mitered + Butted Lens

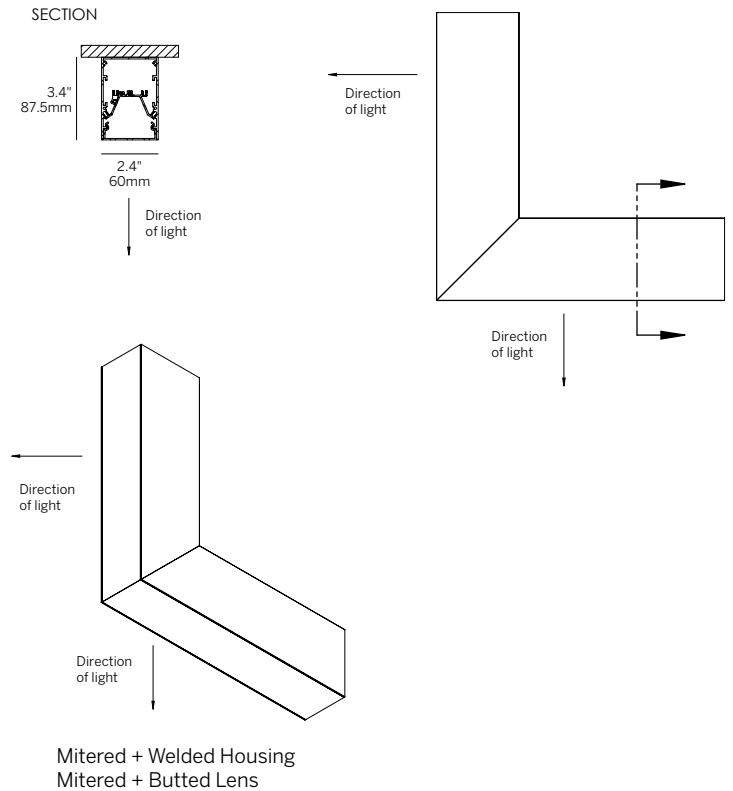
PLANE TO PLANE INSIDE CORNER (PPI)

WG-60LDL-SM-PPI

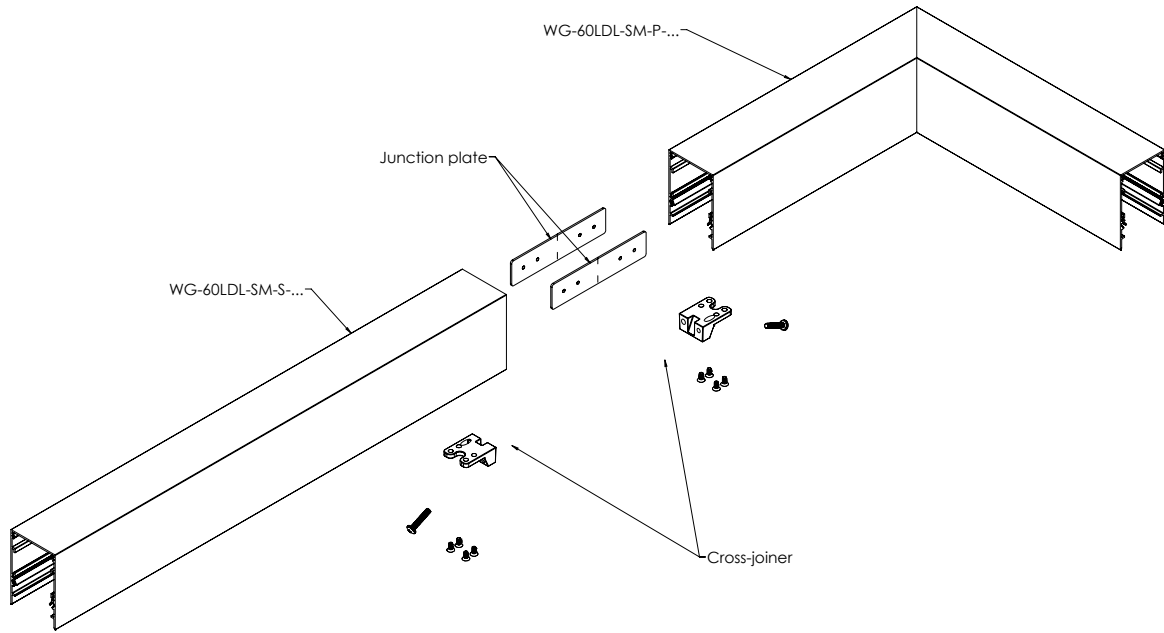


PLANE TO PLANE OUTSIDE CORNER (PPO)

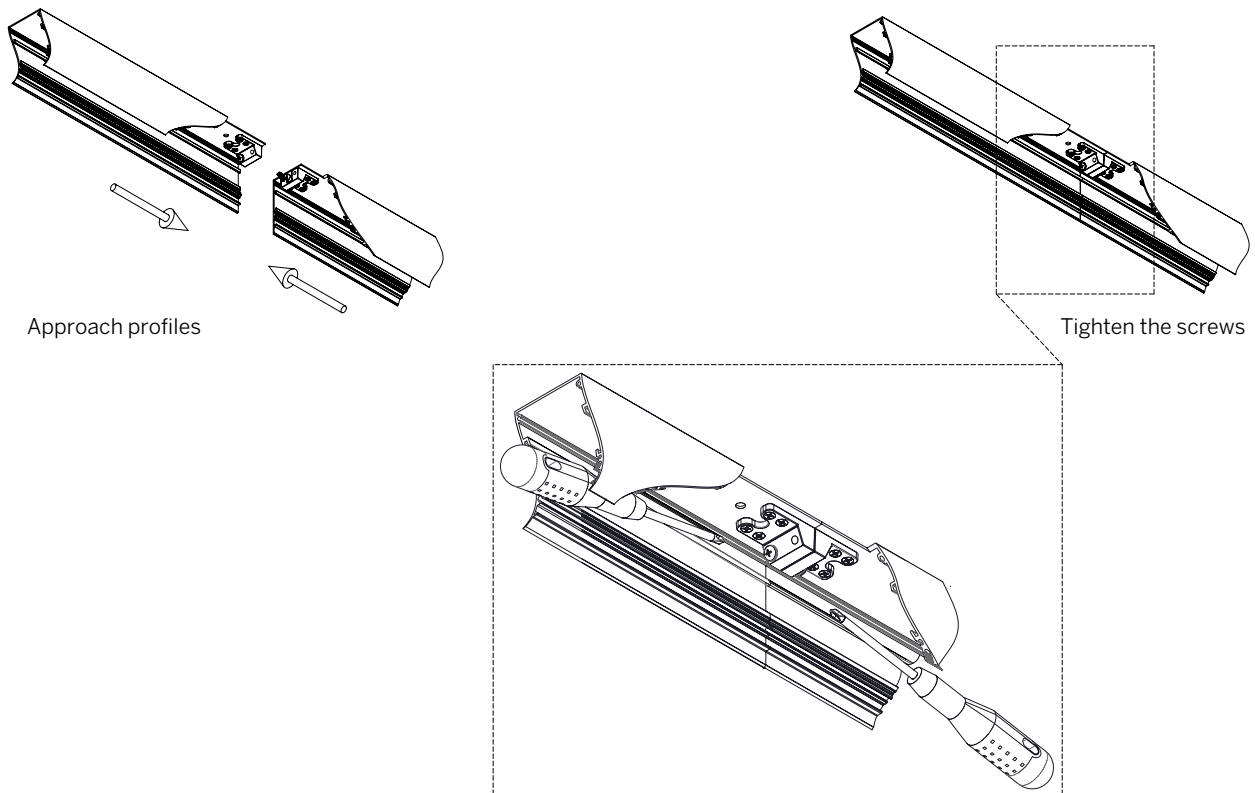
WG-60LDL-SM-PPO



CORNER + STRAIGHT RUN CONNECTIONS

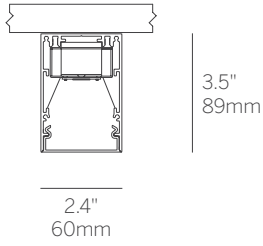


CROSS JOINER

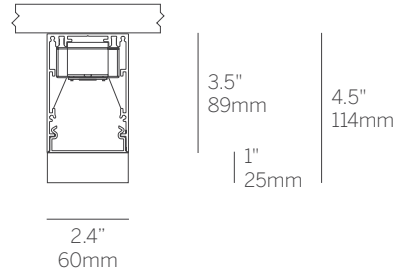


60 Linear Surface

MOUNTING



Surface
(60LDL-SM)



Surface / Drop Diffuser
(60LDL-SM...DD)