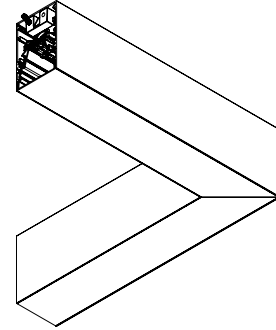
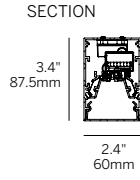
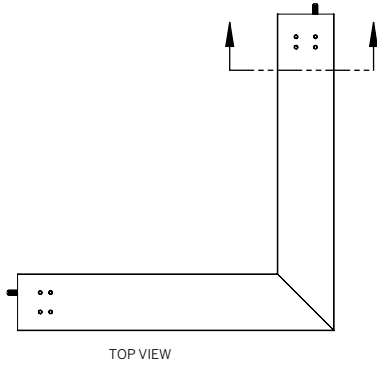


60 Linear Suspended

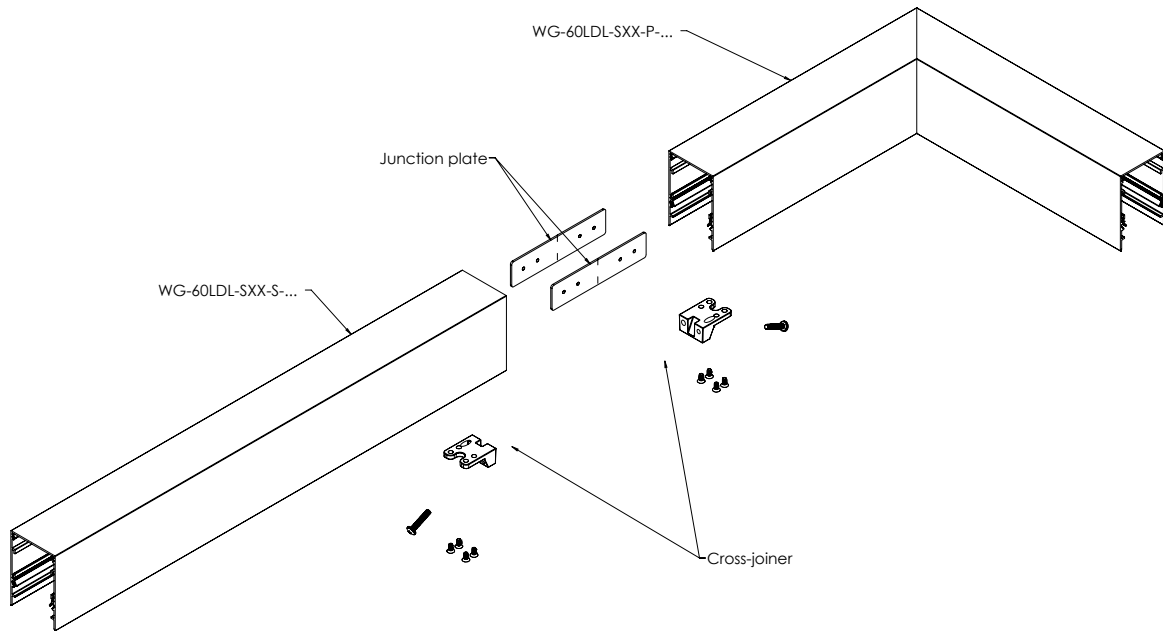
PATTERN CORNER (P)

WG-60LDL-S-P

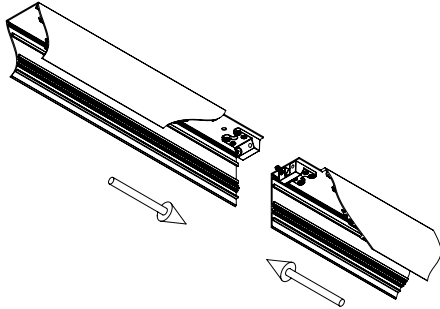


Minimum Angle 45°
Maximum Angle 180°

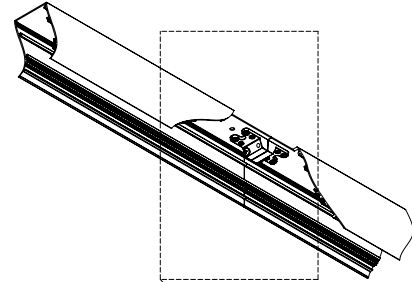
CORNER + STRAIGHT RUN CONNECTIONS



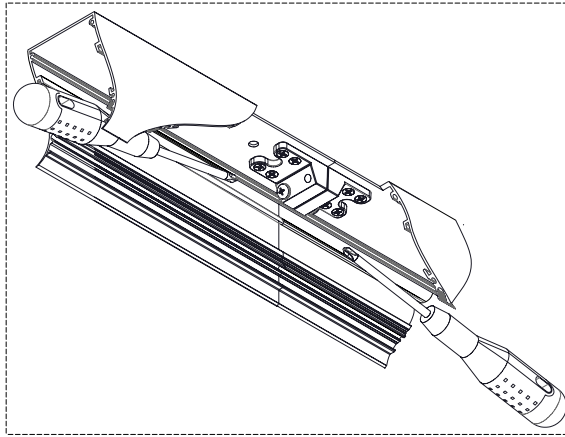
CROSS JOINER



Approach profiles



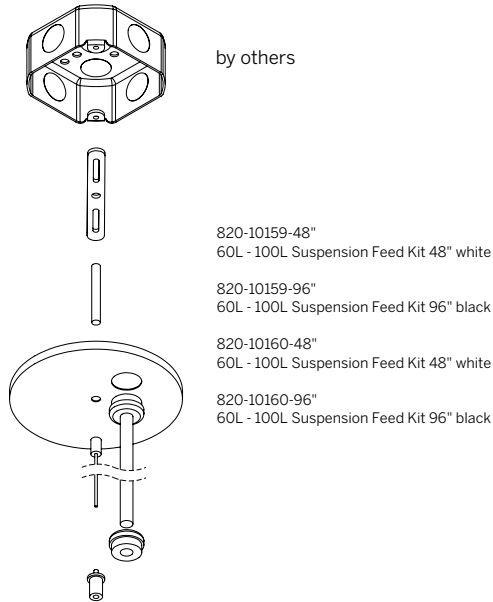
Tighten the screws



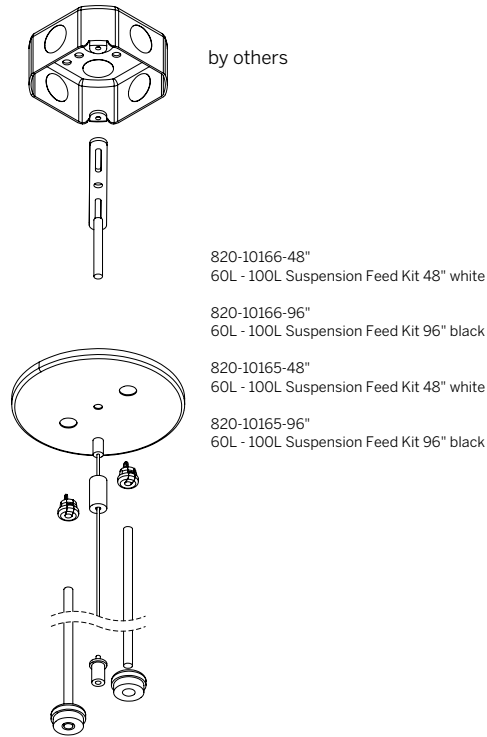
60 Linear Suspended

MOUNTING / CANOPIES

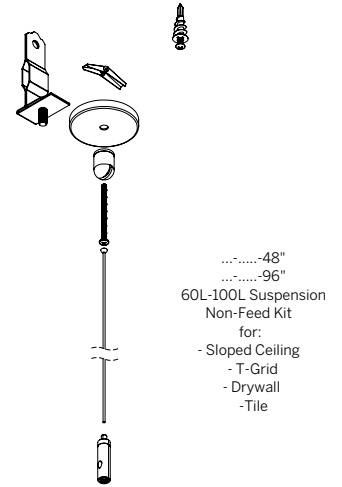
Power + Suspension Canopy
Single Feed



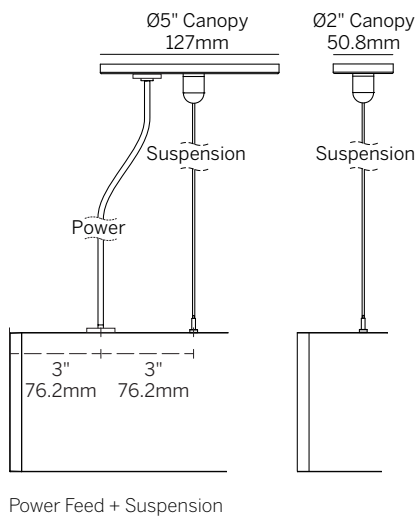
Power + Suspension Canopy
Dual Feed



Suspension Canopy
Non Feed

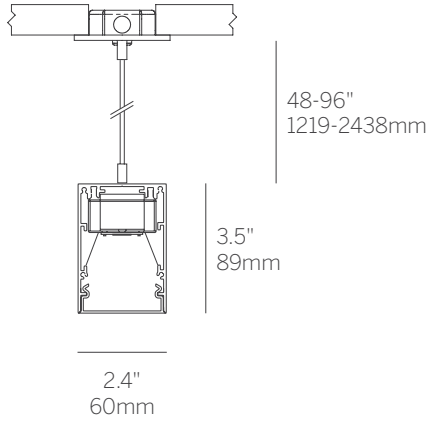


SUSPENSION / MOUNTING

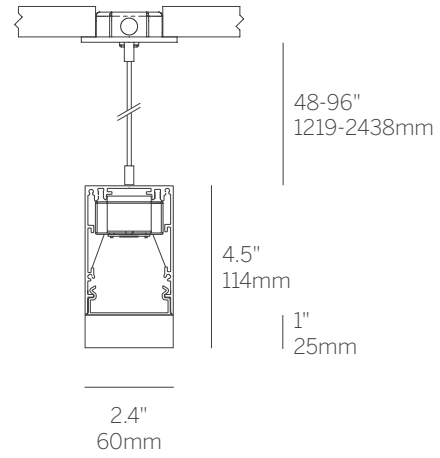


60 Linear Suspended

PROFILE DIMENSIONS



Suspended
(60LDL)



Suspended / Drop Diffuser
(60LDL...DD)