

RD35 Wallwash Specifications

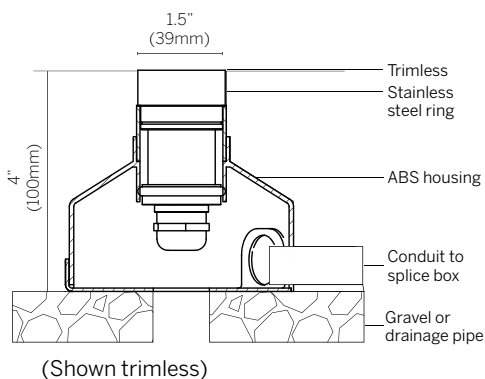


Ordering Information¹

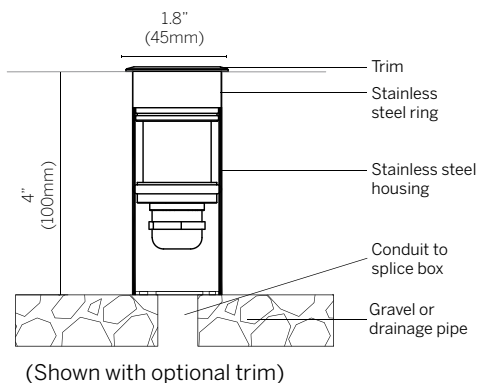
Model	Power	Color	Optics	Voltage	Options	Housing
F RDW35			WW	24		
F RDW35	L H	27 30 35 40	WW	24	TR C1 C2 C3 CX	RD35C RD35T

¹Specify remote power supply separately below.

Concrete Housing (driveover)



Tile Housing (driveover)



Luminaire

- Trimless for seamless integration into grade; optional stainless steel trim
- Snap in installation with no exposed hardware
- Sustainable design with replaceable LED module
- Regressed LED for glare reduction
- IP67, UL STD 1598, wet location; Pedestrian driveover rated 3000 lb
- Stainless steel, ABS and aluminum construction with clear tempered glass
- 1' (0.3m) feed cable standard

Size

- 1.5"ø (39mm) x 4" H (100mm) trimless
- 1.8"ø (45mm) x 4" H (100mm) with trim

Power

- L = 1W, 3000K, 100 lm
- H = 3W, 3000K, 300 lm²

Color Temperature

- 27 = 2700K
- 30 = 3000K
- 35 = 3500K
- 40 = 4000K
- 2 Step MacAdam
- CRI: > 85

Optics

- WW - WallWash - 26x37° tilt 14°

Voltage

- 24 = 24VDC fixture voltage (remote driver required)

Options

- TR = stainless steel 304 trim, size: 0.1" (3mm)
- C1 = 10' (3m) feed cable
- C2 = 20' (6m) feed cable
- C3 = 30' (9m) feed cable
- CX = specify length

Housing

- RD35C = concrete
- RD35T = tile

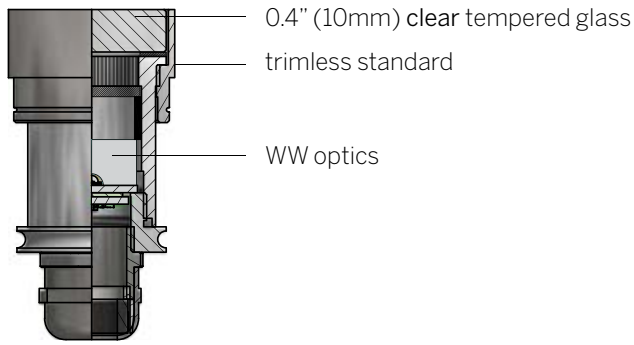
Power Supply² (Remote)

- D-520-24006: Osram 10% 0-10V dimming, 96W, 24VDC, 120-277VAC

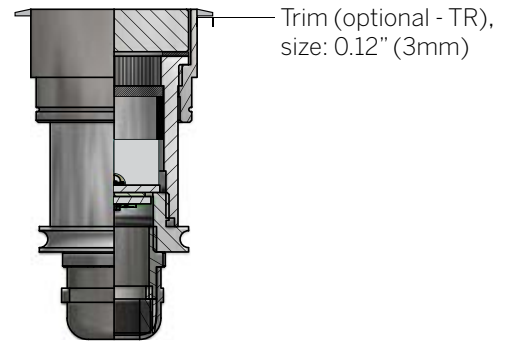
²See power supply pages for details. No enclosure, unless stated. lm80 values shown.

RD35 Wallwash Dimensions

Optics Accessories



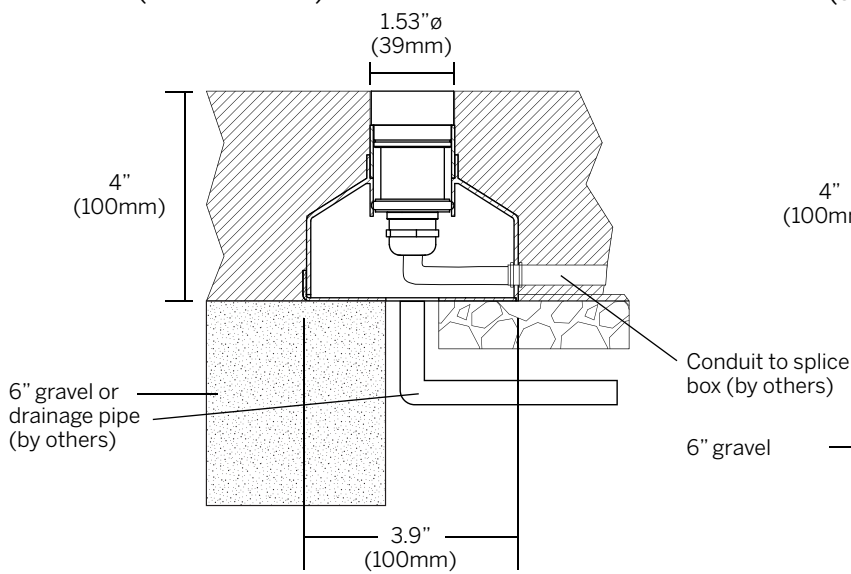
Trimless
(standard)



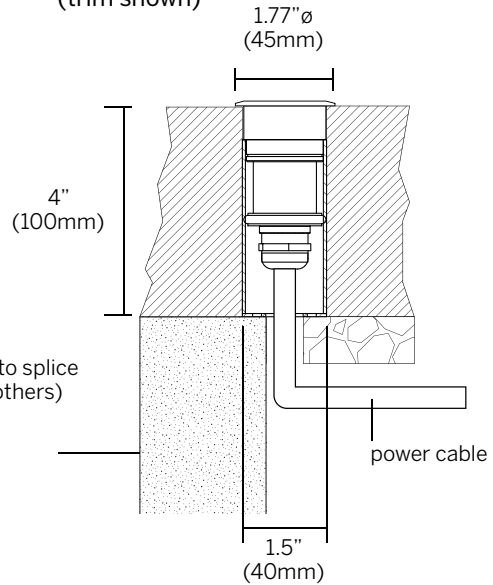
Trim
(optional - TR)

Floor/Wall - Tiles

Concrete Installation Housing (RD35C)
(trimless shown)



Tiles/Wood Installation housing (RD35T)
(trim shown)



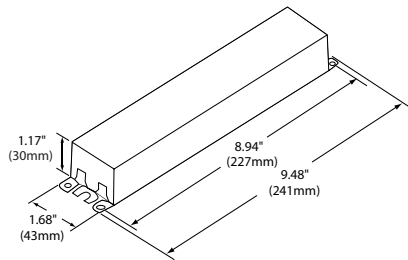
Single Color Drivers

Qty.	Part Number	Description	Case	Nominal Input Voltage (V)	Nominal Input Current (A)	Power Factor	Output Power Range (W)	Dimming Mode	Dimming Control	Dimming Range	Location Rating
	D-520-24006	Osram 0-10V dim	1	120 277	0.97 0.39	0.9	1-96	PWM	0-10V	10 -100%	Damp

Although it is possible to exceed the remote mounting distance, the installer and/or end user must take precautions to prevent and/or test the effects of EMI (electromagnetic interference). Maximum recommended load is 80% of driver rating.

Case dimensions

Case 1 (no enclosure)



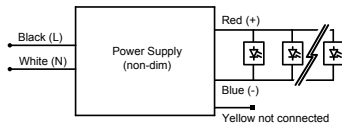
Maximum wiring distance*

Wire gauge	Load per driver	
	Osram	
	≤48W	≤72W
#18AWG	37'	25'
#16AWG	59'	39'
#14AWG	95'	63'
#12AWG	151'	101'
#10AWG	241'	160'

*Voltage drop guide for 24VDC. Actual Voltage drop to be calculated by installer

Wiring diagrams

96W Non-Dim



96W Dim

