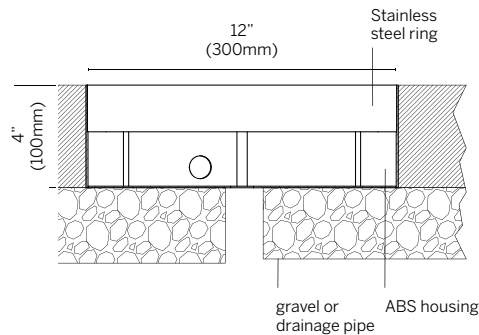


# SQ300 Paver Specifications



## Ordering Information<sup>1</sup>

Model	Power	Color	Optics	Voltage	Options	Housing
F SQP300	H		LL	24		
F SQP300	H	30 35 40 RGB	LL	24	C1 C2 C3 CX	SQ300C

<sup>1</sup>Specify remote power supply separately below.

### Luminaire

- Trimless for seamless integration into grade
- Snap in installation with no exposed hardware
- Sustainable design, replaceable LED module
- IP67, UL STD 1598, wet location, Pedestrian driveover rated 6000 lb
- Stainless steel 304 construction, direct concrete pour housing, with diffused tempered glass 5/8" thick
- Anti-slip surface
- 3.3' (1m) feed cable standard

### Size

- 12"∅ (300mm) x 4" H (100mm)

### Power

- H = 8W, 3000K, 750 lm
- H = 15W RGB, R 5W, 80 lm; G 5W, 205 lm; B 5W, 45 lm

### Color Temperature

- 30 = 3000K
- 35 = 3500K
- 40 = 4000K
- RGB
- 2 Step MacAdam
- CRI: > 85

### Optics

- LL = Even illumination

### Voltage

- 24 = 24VDC fixture voltage

### Options

- C1 = 10' (3m) feed cable
- C2 = 20' (6m) feed cable
- C3 = 30' (9m) feed cable
- CX = specify length

### Housing

- SQ300C

## Power Supply<sup>2</sup> (Remote)

- D-520-24006: Osram 10% 0-10V dimming, 96W, 24VDC, 120-277VAC

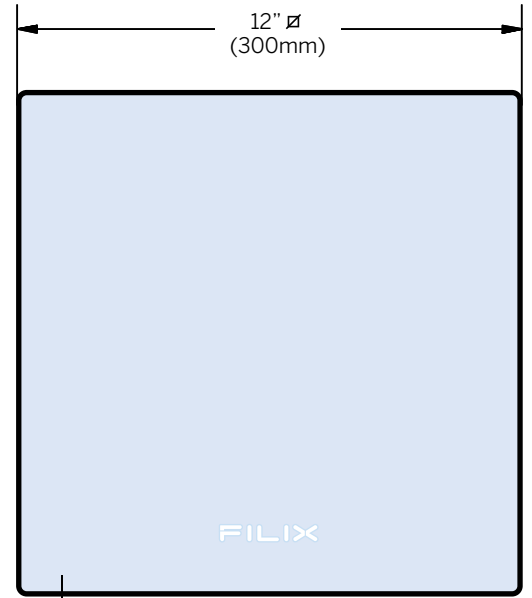
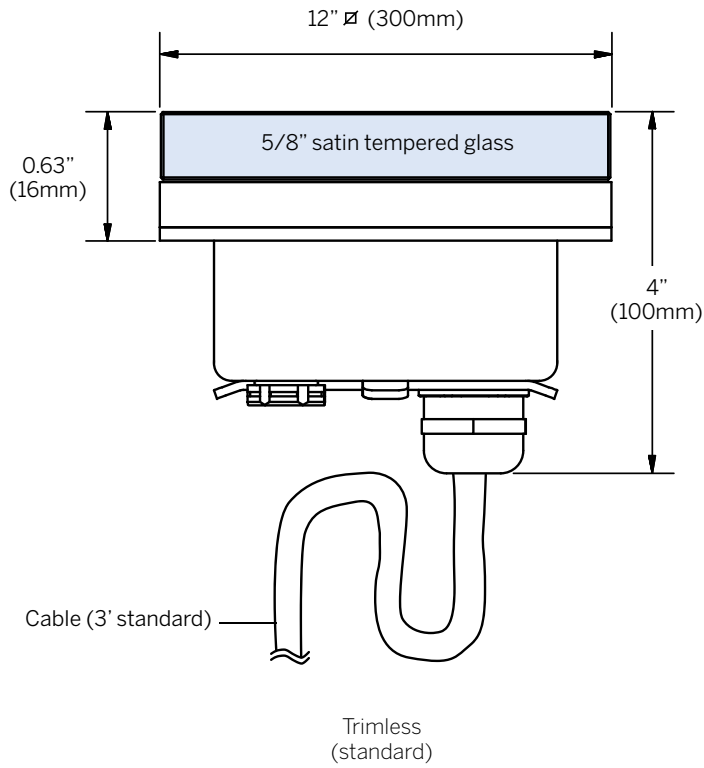
### RGB

- D-550-20003: EldoLED LIN100D2, CV 24V DMX/Sequencer Interface, requires a 24VDC driver ordered separately. (DMX control not included)

<sup>2</sup>See power supply pages for details. No enclosure, unless stated. Im80 values shown.

# SQ300 Paver Dimensions

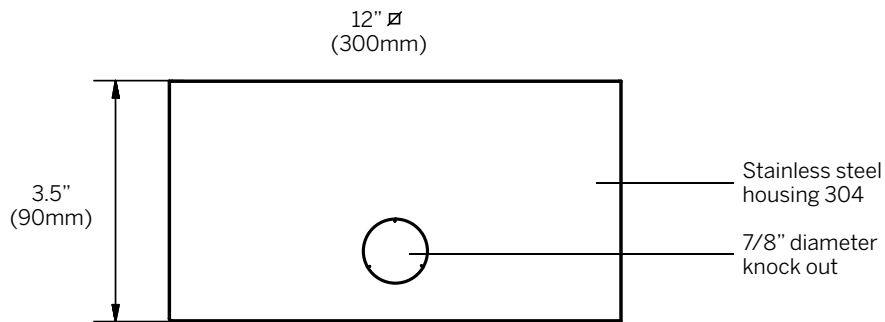
Fixture



Top view



Housing



Side view

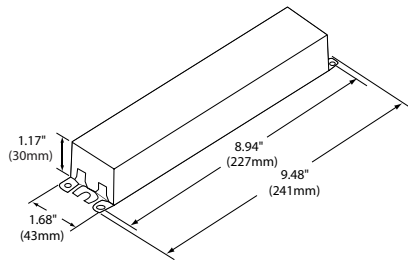
## Single Color Drivers

Qty.	Part Number	Description	Case	Nominal Input Voltage (V)	Nominal Input Current (A)	Power Factor	Output Power Range (W)	Dimming Mode	Dimming Control	Dimming Range	Location Rating
	D-520-24006	Osram 0-10V dim	1	120 277	0.97 0.39	0.9	1-96	PWM	0-10V	10 -100%	Damp

Although it is possible to exceed the remote mounting distance, the installer and/or end user must take precautions to prevent and/or test the effects of EMI (electromagnetic interference). Maximum recommended load is 80% of driver rating.

### Case dimensions

#### Case 1 (no enclosure)



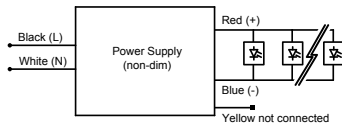
#### Maximum wiring distance\*

Wire gauge	Load per driver	
	Osram	
	≤48W	≤72W
#18AWG	37'	25'
#16AWG	59'	39'
#14AWG	95'	63'
#12AWG	151'	101'
#10AWG	241'	160'

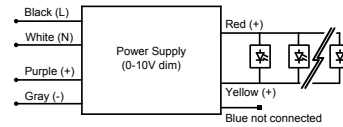
\*Voltage drop guide for 24VDC. Actual Voltage drop to be calculated by installer

### Wiring diagrams

#### 96W Non-Dim



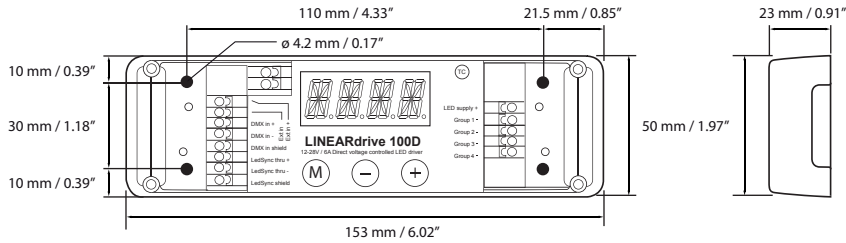
#### 96W Dim



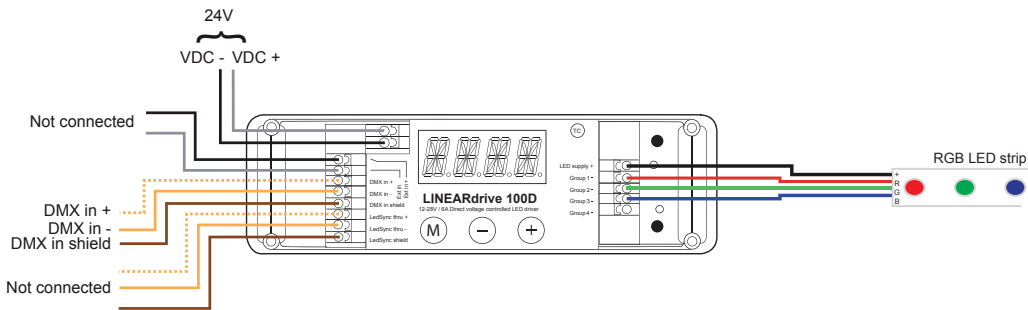
## RGB Control Interface Details

Qty.	Part Number	Description	Nominal Input Voltage (V)	Maximum Output per channel (W)	Output Power Range (W)
	D-550-20003	DMX/Sequencer Interface	24	32	96

## RGB Control case dimensions (DMX/Sequencer Interface)



## Wiring Diagram



See installation / driver instructions for details.  
Must order power supply separately