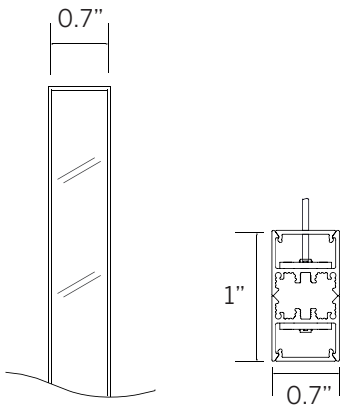


20 Linear Suspended Direct / Indirect Specifications



Ordering Information

Model	Type	Length	Direct	Indirect	Mount	Options
WG-S20LD direct	S	A	Specify options using chart below See ex 1 on p2: L1 - S - OD	Specify options using chart below See ex 2 on p2: M1 - D010 - SD	S48 (std) S96	DC DL
WG-S20LI indirect	P ¹	A x B				
WG-S20LDI direct/indirect	PZ ¹	A x B x C A x B x A x B				

Luminaire

- Evenly illuminated snap-in lens without visible LED pattern.
- Standard Opal Diffuser for even illumination and no LED appearance. Satin Diffuser for high efficiency and minimal LED appearance.
- Field replaceable LED boards.
- 80+ CRI, 3 steps MacAdam.
- Powder coat painted white - RAL 9010.
- 48" suspension cable standard (S48).

Type

- S = Straight run
- P = Standard patterns 2, 3 or 4 sided with 90° corners on the same plane¹
- PZ = Non-standard patterns and/or corners other than 90° on multiple planes, consult factory¹

Length

- A, B, C = Specify feet & inches to the nearest 0.25" (i.e. 6' 5.5") For patterns specify each length (i.e. 2 sided: A x B = 6' 5" x 6'; 3 sided: A x B x C; 4 sided: A x B x A x B)

LED²

- L = Low Power (3.2W/ft)
- M = Mid Power (6.4W/ft)

Color / Lumens³

- 80+ CRI minimum (Low/Mid)
- 827 = 2700K (316/534 lm/ft)
 - 830 = 3000K (343/579 lm/ft)
 - 835 = 3500K (343/579 lm/ft)
 - 840 = 4000K (355/601 lm/ft)
 - For 90+ CRI specify 927, 930, etc

Voltage

- UNV = 120 - 277V
- 120 = 120V (DFPN only)

Power Supply (remote)⁴

- S = Standard driver 120-277V
- D010 = Osram, 10%, 0-10V dimming, 120-277V
- D3W = Lutron, 1%, 3-wire dimming, 120-277V
- DES = Lutron, 1%, EcoSystem E1/E2 digital dimming, 120-277V
- DFPN = Lutron 1% forward phase with neutral, 120V only

Diffuser

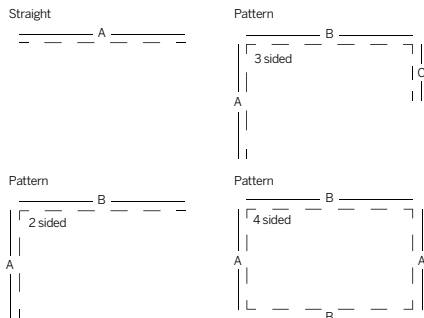
- OD = Opal diffuser (standard)
- SD = Satin diffuser

Mounting

- S48 = 48" suspension cable (standard)
- S96 = 96" suspension cable, field-cutable

Options

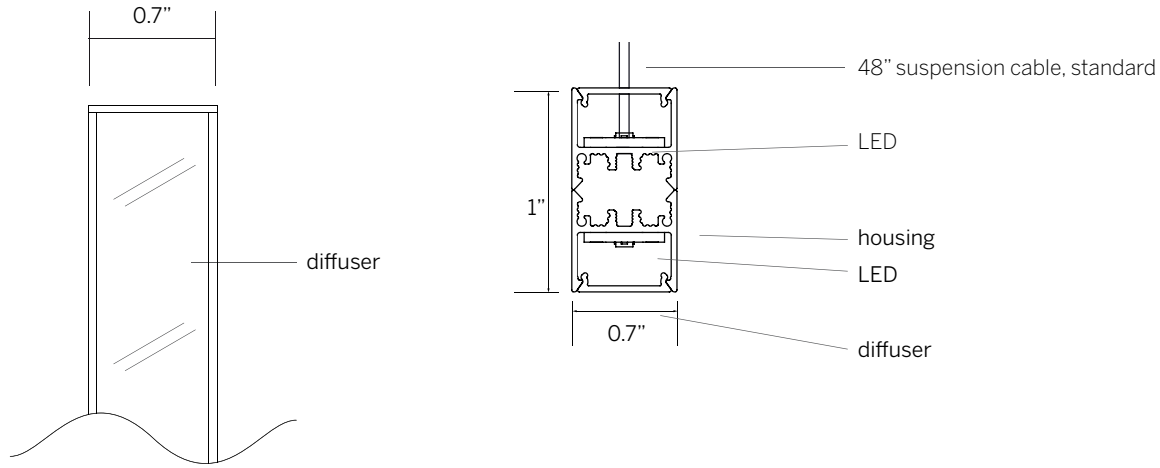
- DC = Dual circuit
- DL = Damp location
- Contact factory for emergency lighting options
- To specify multiple options select the appropriate grouped codes from the dropdown e.g. DC-DL



- 1 See pattern specsheet.
- 2 Wattage shown does not include power supplies/drivers.
- 3 Delivered lumens with satin diffuser shown. Lumens for CRI 90(+), are about 16% lower compared to standard CRI 80(+).
- 4 Remote power supply required. See power supply page for details.

20 Linear Suspended Direct / Indirect LED

Dimensions



***Specify 1 from each column:**

- ex 1: L1 - S - OD
- ex 2: M1 - D010 - SD

Color	LED		Power	Diffuser
	Low	Mid	S	OD
827	L1	M1	D010	SD
830	L2	M2	D3W	
835	L3	M3	DES	
840	L4	M4	DFPN	
927	L5	M5		
930	L6	M6		
935	L7	M7		
940	L8	M8		