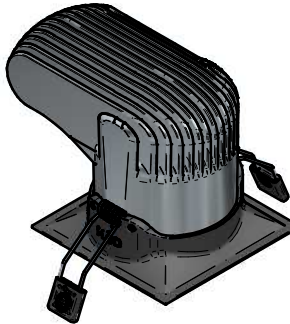
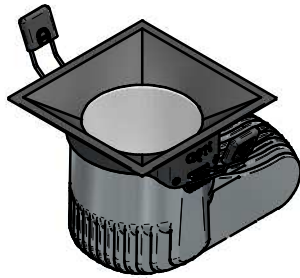
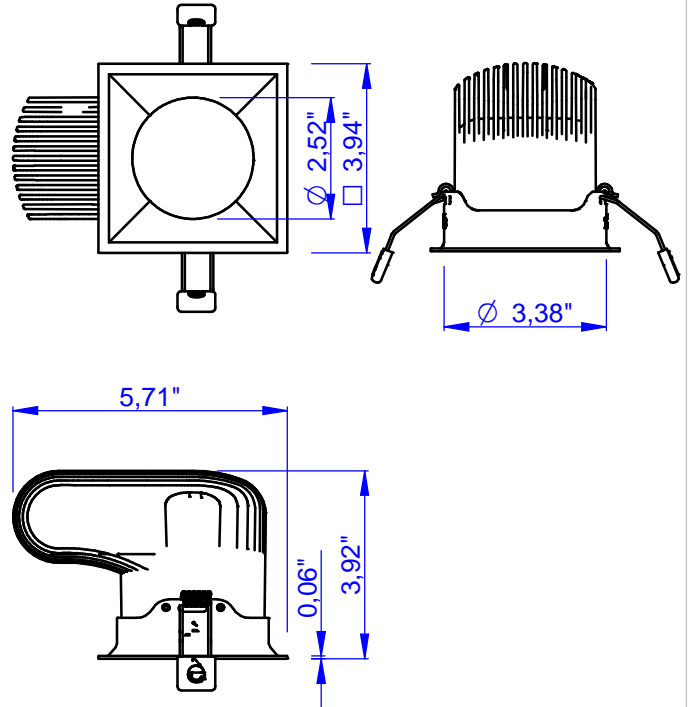


Data Sheet

CODE CRI95	FINISH	POWER
E91558	WH	18W
E91559	BK	
E91561	GR	
E91562	OR	
CODE CRI80	FINISH	POWER
E91524	WH	18W
E91525	BK	
E91526	GR	
E91527	OR	



Dimensions



Finishes

- EMBOSSED WHITE (WH)
- EMBOSSED BLACK (BK)
- EMBOSSED GREY (GR)
- GOLD (OR)

Product Description

Dowlight for indoor installation, minimal flange made of cast aluminum then powder coated. Cast aluminum rear heat sink. Chromated reflector comes in three different optics (15°/30°/60°) that offers an excellent visual comfort (UGR<19). Front cover in transparent polycarbonate anti-UV which guarantees the IP65 in frontal side (IP44 total) and protects the LEDs from accidental contact and dust deposits. With 11,8" of cable red/blue. Power supply not included.

LED White :
4000K - 3000K - 2700K

Color LED :
-

Optic :
15° - 30° - 60°

LED RGB :
-

Optic :
-

Applications

Indoor Spotlight

Power Led:
LED Cree CXA1816 CRI80 - CRI95

Resin: Yes
 Cable type included: 11,8" 2X22AWG red/blue cables
 Connector type: -
 Input (V - mA) : 36V - 500 mA
 Nominal power (W): 18W
 Real power (W): Nominal Power

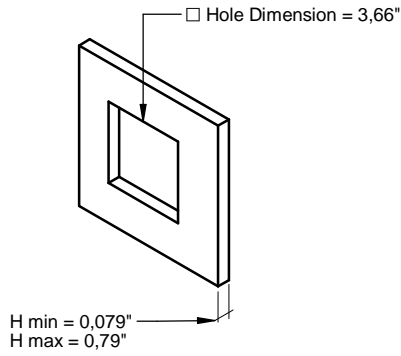
Temperature on the surface of the glass: 40°
 Adjustability: No
 Drive over: No
 Glow Wire: 850°
 Power supply: Remote
 Insulation class: Class 2
 IP 65 front - IP44 total
 IK 08
 Weight: 1,5 Lbs
 Volume: 48,81 "³



Luminous flux

Led Type	POWER (W)	Lumen (NOMINAL)*		
		4000K	3000K	2700K
CXA CRI80	18	2106	1944	1818
CXA CRI95	18	1818	1584	1476

*Value of the luminous flux from the LED data sheet.



THIS PRODUCT MUST BE INSTALLED IN ACCORDANCE WITH THE APPLICABLE INSTALLATION CODE BY A PERSON FAMILIAR WITH THE CONSTRUCTION AND OPERATION OF THE PRODUCT AND THE HAZARDS INVOLVED

READ ALL OF THESE INSTRUCTIONS BEFORE INSTALLING FIXTURES

- Keep all of the instructions for future reference
- Turn off power before installing fixture
- Installation is to be performed by a qualified electrician only
- All installations must conform to the National Electrical Code as well as all local jurisdictional codes and regulations
- Any modification of the luminaire will void any and all written or implied warranties
- The manufacture accepts no responsibility for damage to persons or property arising through improper use or installation

Accessories

Accessory (1)

Accessory (2)

Accessory (3)

Accessory (4)

Accessory (1)

Accessory (2)

Accessory (3)

Accessory (4)