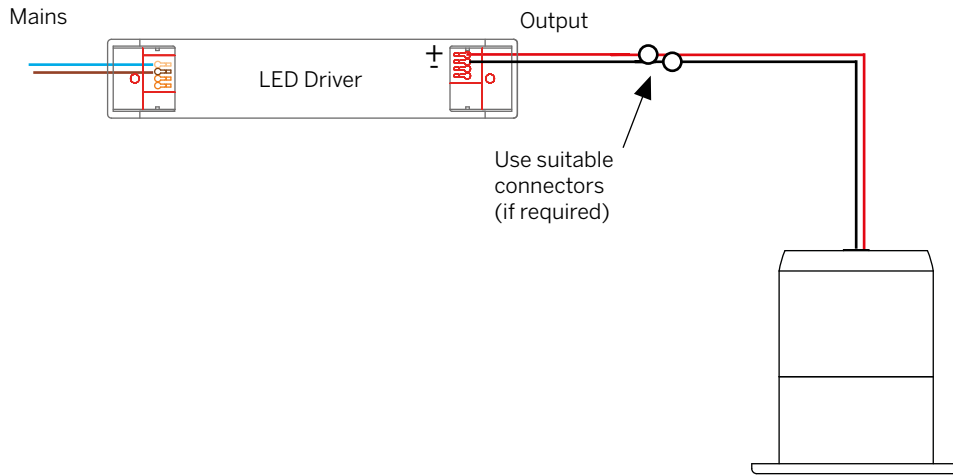
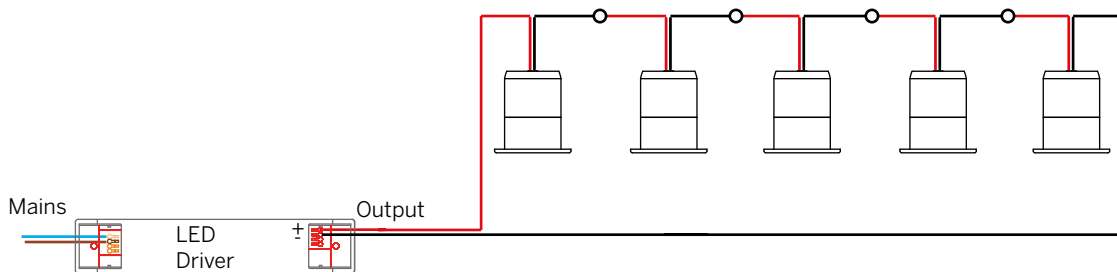


Wiring

Constant Current



Mole 4 Series Wiring



Note that while constant current light sources can be wired in series, the number of fittings that can be wired in series is limited by the forward Voltage and Wattage of the LED.

The Mole 4 is supplied with a SL LED which has a forward voltage of 2.9V and Wattage of 2W when driven at 700mA.