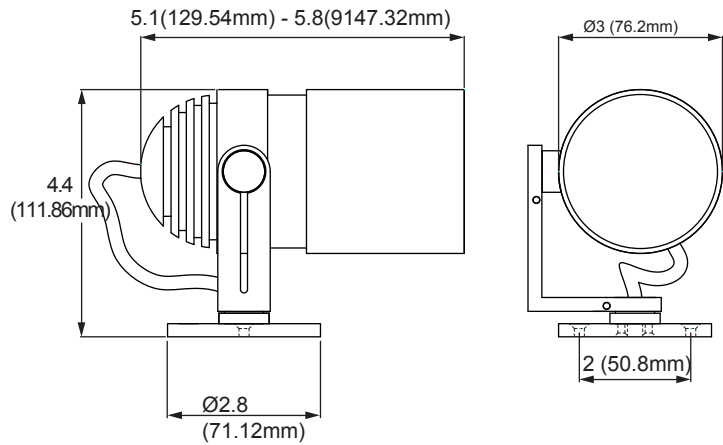


STX2.70.Zoom



Order Code	STX2.70.zoom.module.finish
Example	STX2.70.zoom.3000K,1300m XTM .035".RAL9010



- Materials: Aluminium
- Lamp: Xicato XTM or XIM 9mm LES LED module
- Output: See table on second page
- CRI Ra: ≥80 or ≥95 Artist
- Finish: Anodized or painted to any RAL color
- Dimming: XIM 1-10V or DALI (Bluetooth 2016)
XTM 1-10V, DMX, DALI, Mains or Dual Dim
- Supply: XIM 48V DC
XTM Constant current remote driver
- Locking: 0.1" allen key required
- Available Tilt: ± 90°
- Weight: 1.5 Lb
- Description: Surface mount lockable power LED spotlight using Xicato Module. Beam angle adjustable via zoom lens.
- Accessories: Beam angle ranges from 9.7° to 27.8°.

Xicato Thermal Validation Program Approved

LED Information

This product uses the Xicato Module

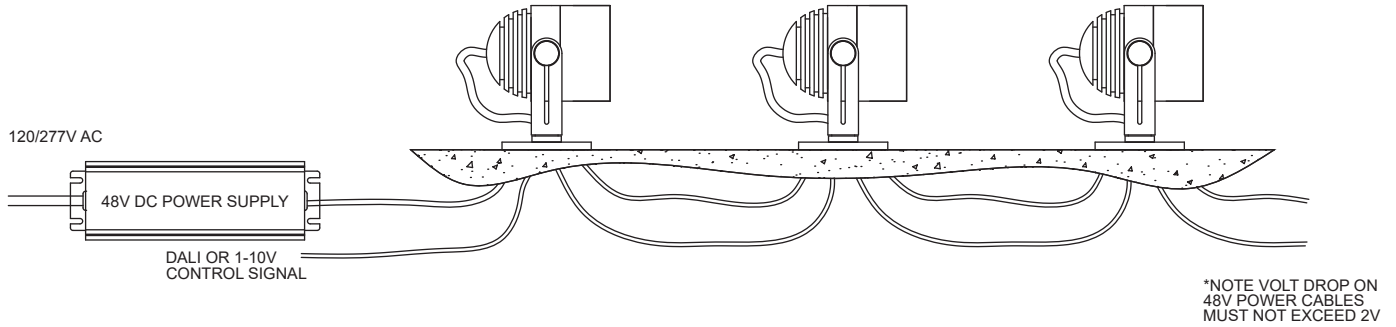
Technical advantages of the Xicato Module:

- Color consistency Initial; 1 x 2 SDCM
- Color consistency Maintained; 3 SDCM
- Excellent color rendering
- Uniform beam
- No multiple shadowing

Applications

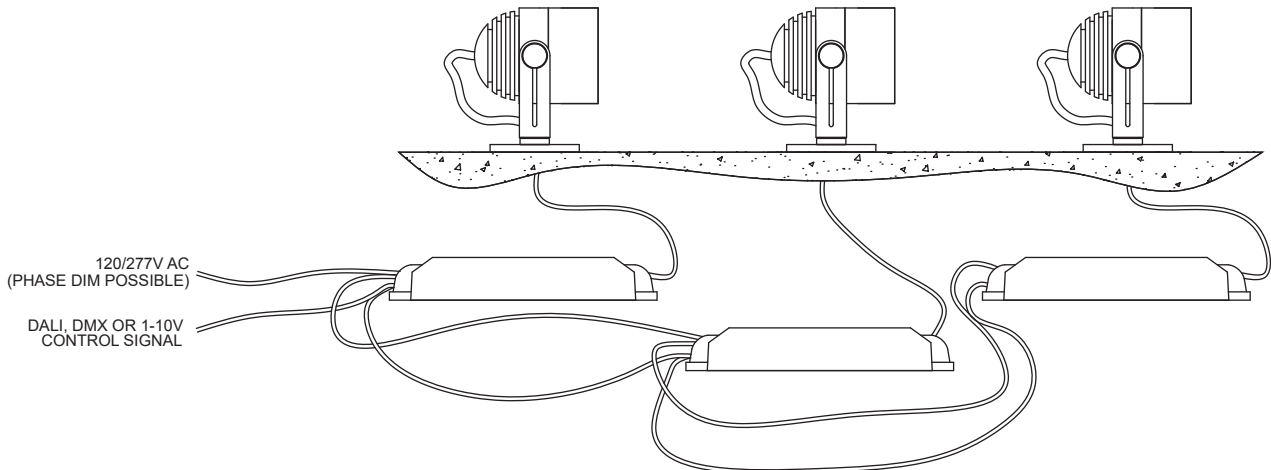
Remote dimming
No local drivers

REMOTE DIMMING WHERE LOCAL DRIVERS NOT PRACTICAL
XICATO XIM 0.35" OR 0.75"
BUSSED 48V AND CONTROL



Remote dimming
Local drivers

REMOTE DIMMING WHERE LOCAL DRIVERS PREFERRED XICATO
XTM 0.35" OR 0.75"
MAINS AND CONTROL SIGNAL WIRING TO DRIVERS AT FITTINGS



Type	Reflector diameter	Module type	Dimming and control options	Beam options	Max output and CRI
STX2.70	2.8"	Xicato XIM 0.35" LES	DALI 1-10V Bluetooth (Q4 2016)	9.7° to 27.8°	Artist Series 700lm Vibrant Series V95 700lm Standard Series 1300lm Vibrant Series V80 1300lm
		Xicato XTM 0.35" LES	DALI 1-10V DMX Mains Dim Dual Dim (local pot and remote DALI or 1-10V)	9.7° to 27.8°	Artist Series 1110lm Vibrant Series V95 1110lm Standard Series 1400lm Vibrant Series V80 1400lm