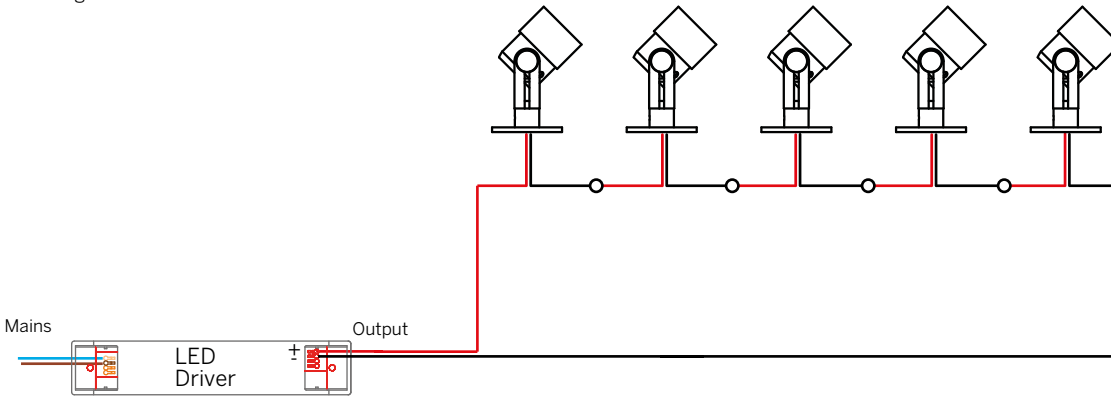


Wiring

Series Wiring



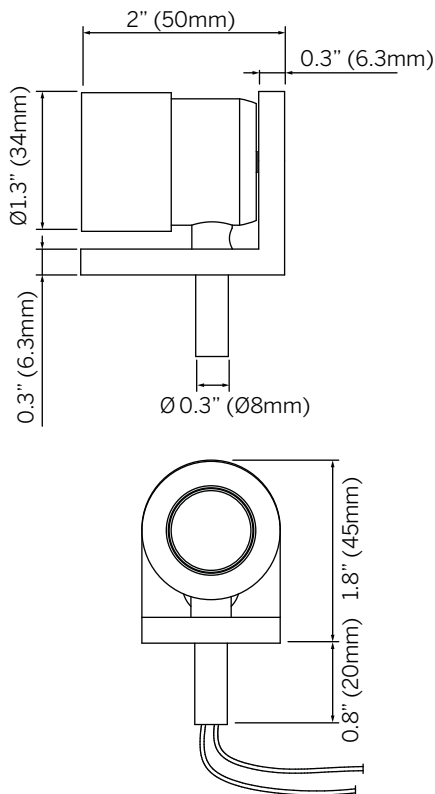
Note that while constant current light sources can be wired in series, the number of fittings that can be wired in series is limited by the forward voltage and wattage of the LED.

Each Tadpole is supplied with 1 x Star LEDs which have a total forward voltage of 2.9V and wattage of 2W when driven at 700mA.

IP68 connectors recommended. Driver specified separately.

Alternate Mountings

Fixed Tadpole (FXD)



Ground Spike (GS)

