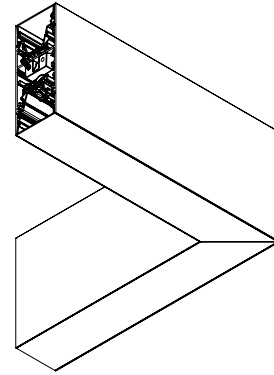
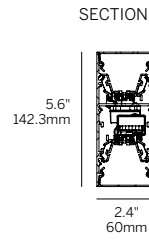
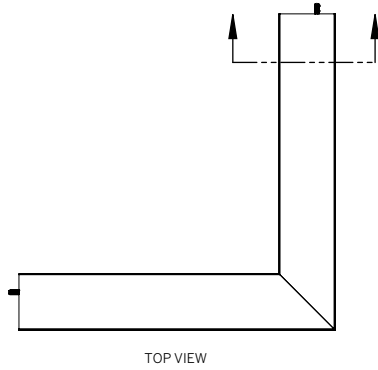


# 60 Linear Direct / Indirect Suspended

## PATTERN CORNER (P)

WG-60LDI-S.-P

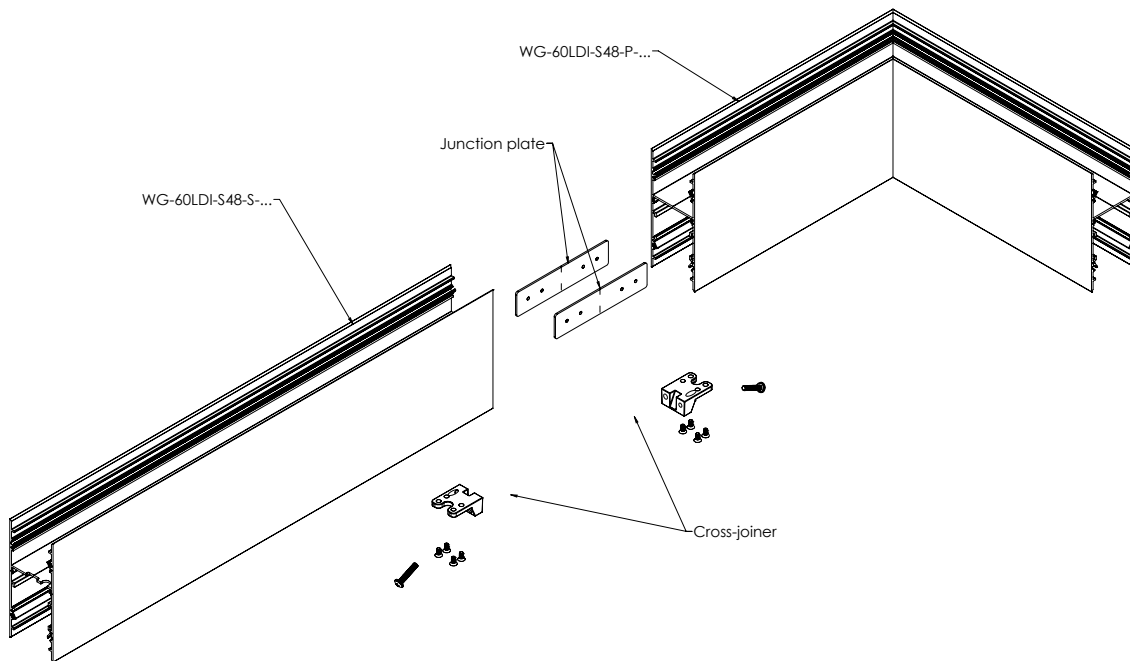


Mitered + Welded Housing  
Mitered + Butted Lens

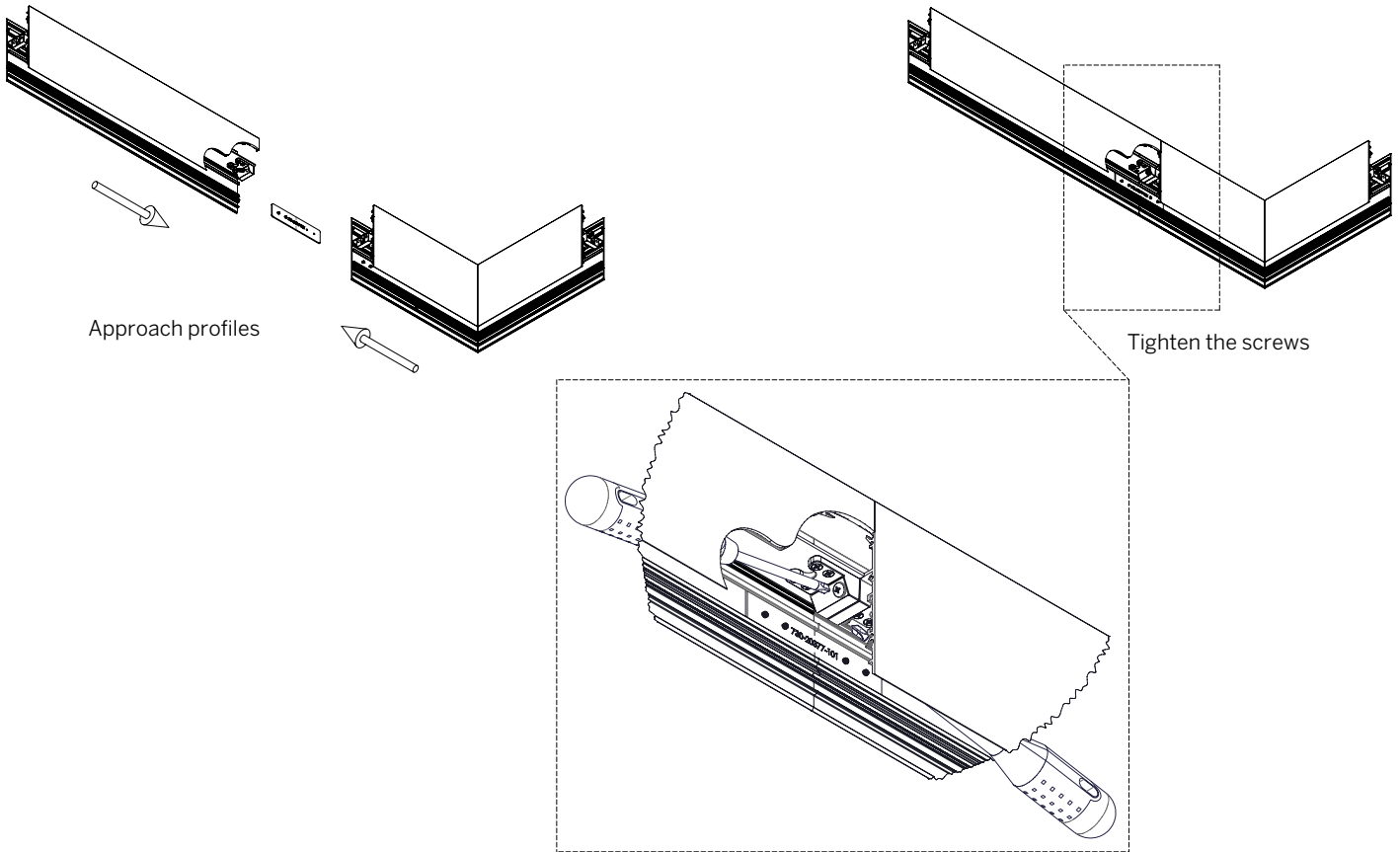
Minimum Angle 45°  
Maximum Angle 180°

NOTE: If Indirect only, bottom fixture aperture is covered by non-illuminated lens.  
Lens can be painted to match fixture finish upon request.

## CORNER + STRAIGHT RUN CONNECTIONS



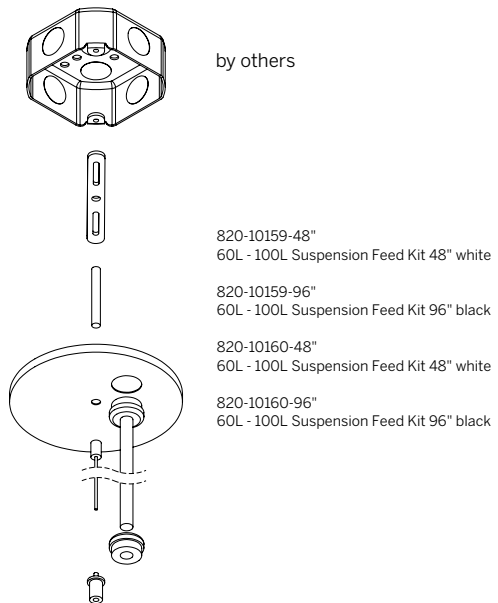
## CROSS JOINER



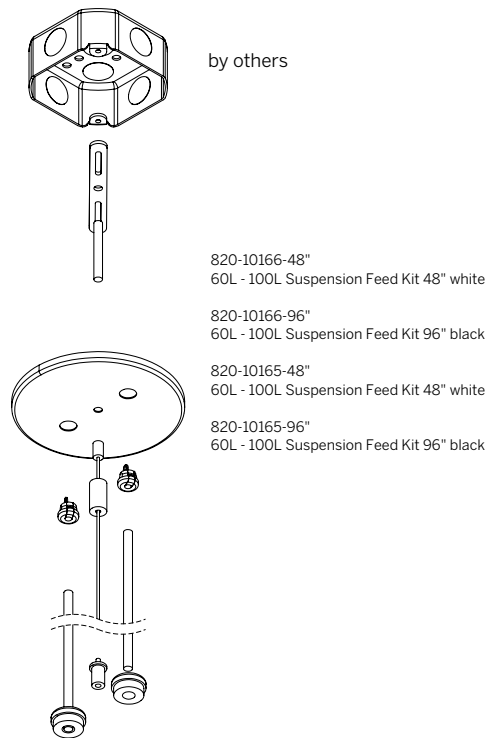
# 60 Linear Direct / Indirect Suspended

## MOUNTING / CANOPIES

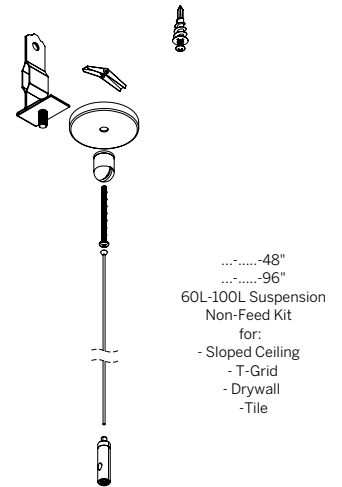
Power + Suspension Canopy  
Single Feed



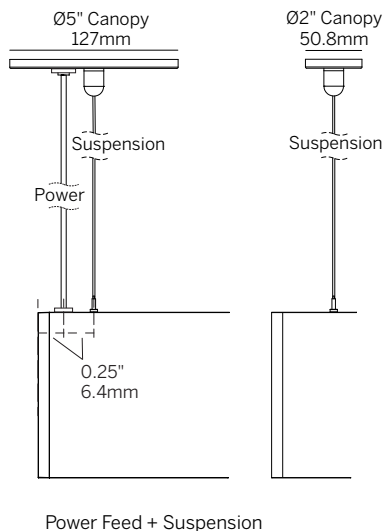
Power + Suspension Canopy  
Dual Feed



Suspension Canopy  
Non Feed

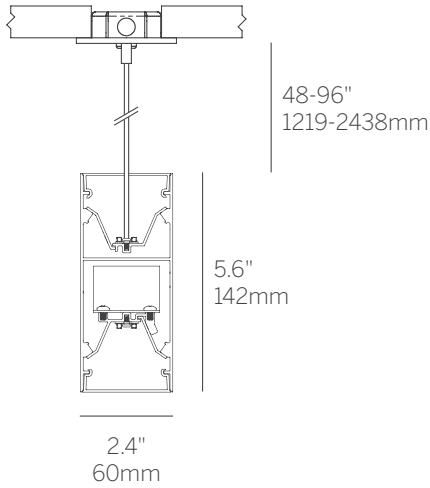


## SUSPENSION / MOUNTING

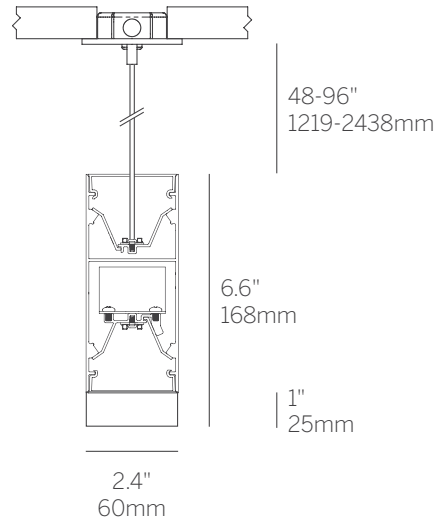


# 60 Linear Direct / Indirect Suspended

## PROFILE DIMENSIONS



Suspended (60LDI)



Suspended / Drop Diffuser (60LDI...DD)