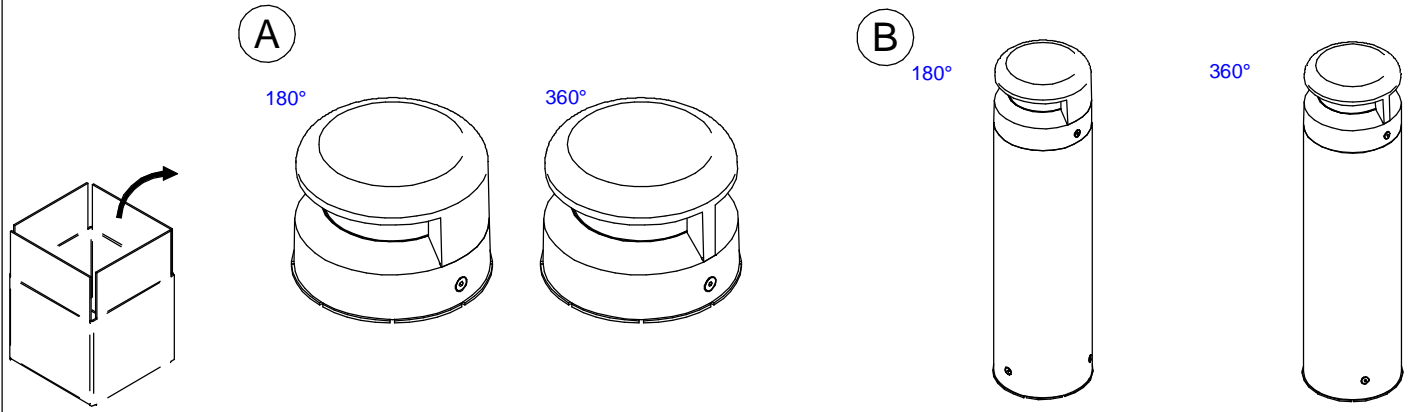




JOE



WARNING:

INSTALL PRODUCT IN ACCORDANCE WITH LOCAL AND NATIONAL ELECTRICAL CODES BY A QUALIFIED ELECTRICIAN



WARNING:

FAILURE TO COMPLY WITH THE INSTALLATION INSTRUCTIONS MAY RESULT IN DEATH OR SEVERE INJURY.



WARNING:

READ ALL SAFETY INSTRUCTIONS INCLUDED WITH LUMINAIRE BEFORE INSTALLING LUMINAIRE. SAVE INSTRUCTIONS FOR FUTURE USE.

CAUTION:

THIS IS AN ELECTRONIC DEVICE. CARE MUST BE TAKEN DURING STORAGE AND HANDLING. STORE IN A CLEAN, COOL AND DRY LOCATION. ELECTROSTATIC DISCHARGE (ESD) CAN HARM THIS PRODUCT. AVOID STATIC DISCHARGE WHILE HANDLING THIS PRODUCT.

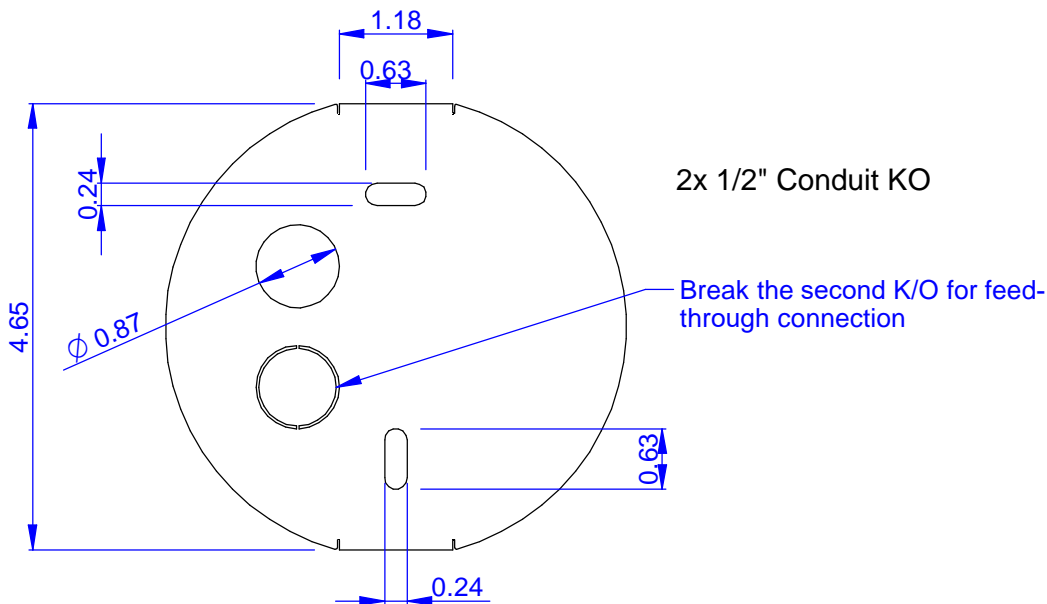
CAUTION:

INTER-LUX IS NOT RESPONSIBLE FOR THE STRUCTURAL INTEGRITY OF THE BUILDING TO SUPPORT THE LUMINAIRE. ADDITIONAL BACKING MAY BE REQUIRED.

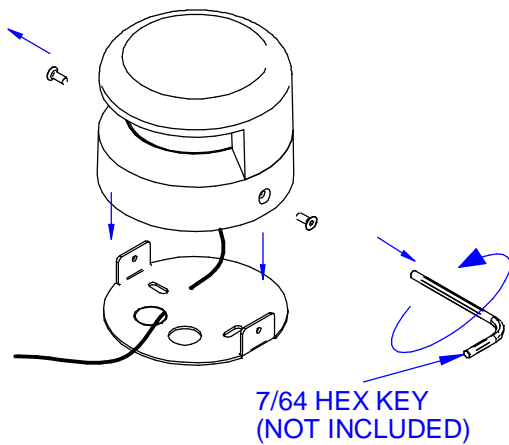
LOCATE AND REVIEW ANY CONSTRUCTION PLANS AND INTER-LUX RECORD DRAWINGS FOR ALL FIXTURE RUNS. IT IS RECOMMENDED TO LOCARE AND LAY OUT ALL COMPONENTS FOR EACH FIXTURE "RUN". A FIXTURE RUN TYPICALLY CONSISTS OF JOINERS, LENGTHS OF HOUSING, AND ENDCAPS. BE SURE TO IDENTIFY ALL CORRECT LENGTHS FOR EACH FIXTURE RUN.

INSTALLATION INSTRUCTIONS

Sequence **(A)**

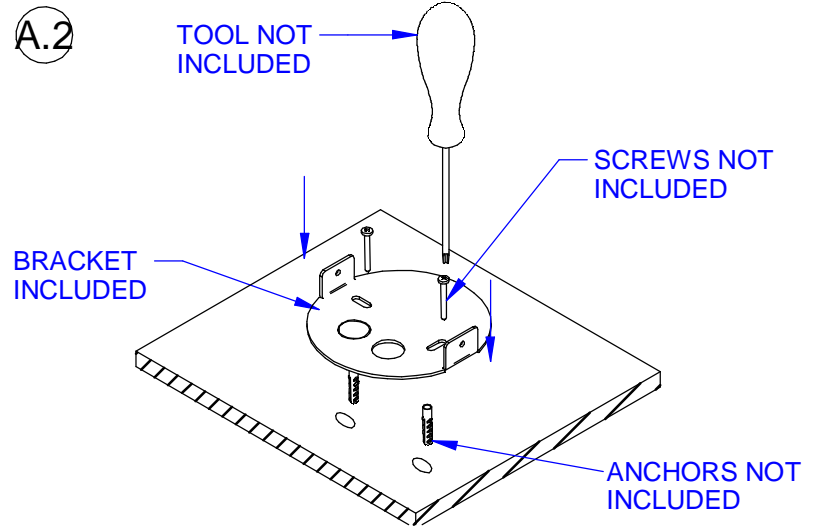


A.1



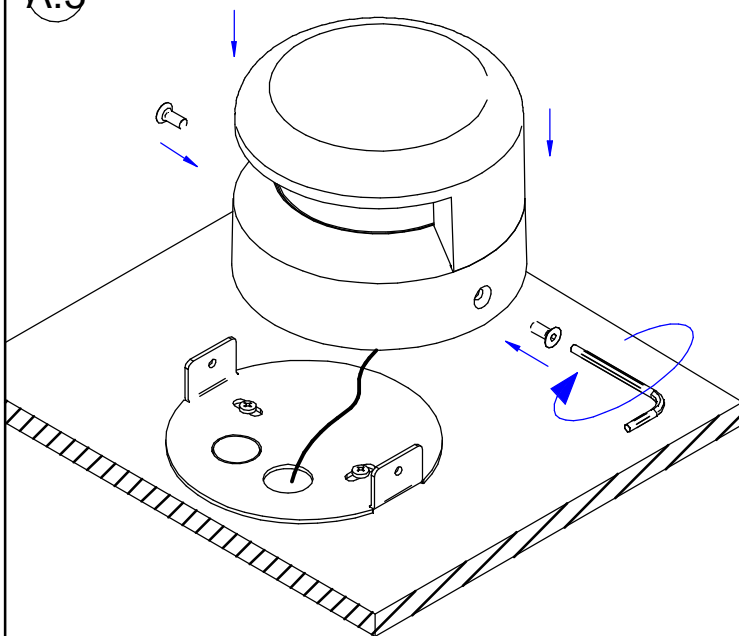
Remove the mounting bracket from the fixture.
5x wires coming from the fixtures. Gel-filled splice connectors included

A.2



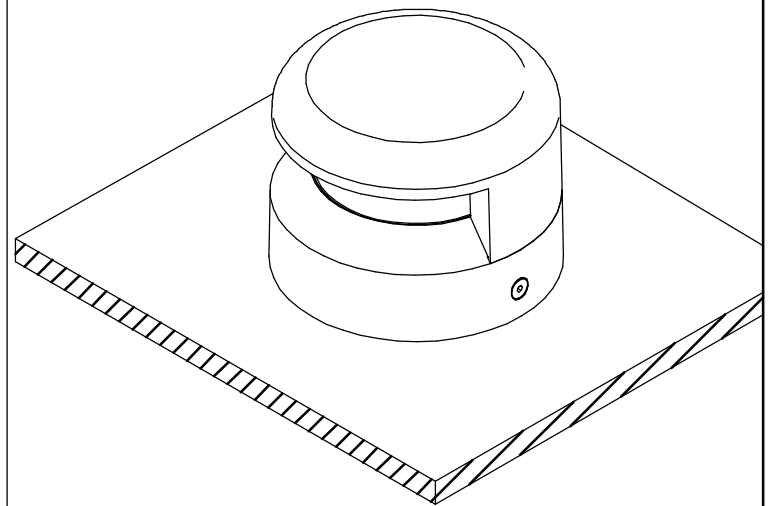
Mount the bracket on the floor.
Place the black plastic disk between the floor and the bracket by matching the shape. This will raise the Joe 5/64" off the ground, reducing the risk of corrosion from weathering or water pooling

A.3



Make the wirings as shown in the wiring diagram.
Connectors are included

A.4

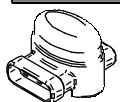
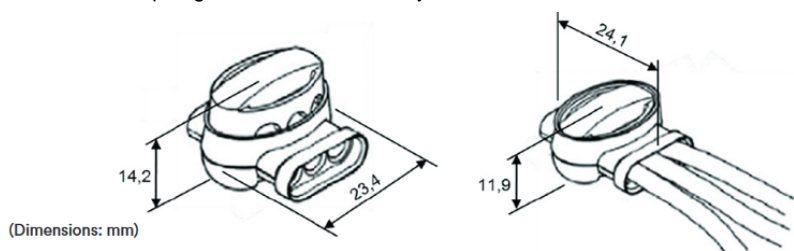


Installation complete

Wiring diagram

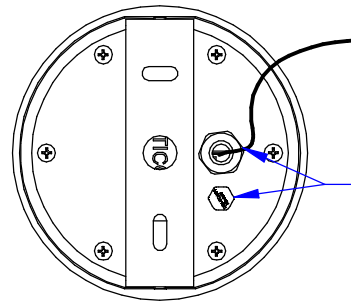
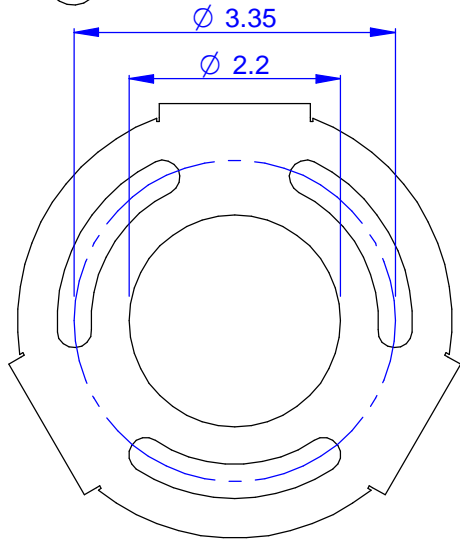
Mains Cable Colors	Pole
Black wire	L
White wire	N
Green wire	GROUND
Purple wire	+ Dim
Grey wire	- Dim

1. Insert 2 or 3 unstripped wires completely into the connector and check their position by looking through the translucent connector body.
2. Hold the tool perpendicular to the wires and make the connection by driving the cap down flush with the top edge of the connector body.



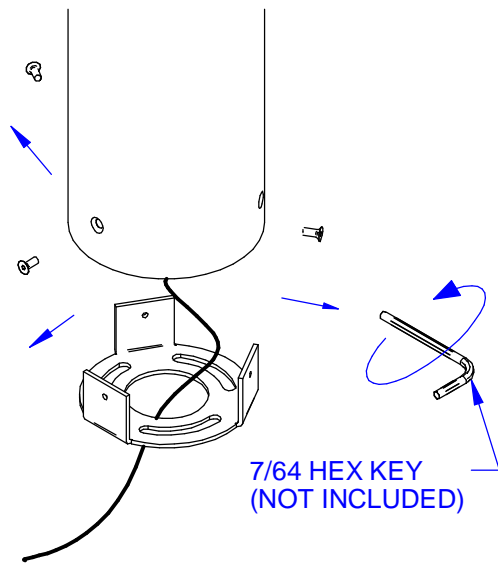
5pcs included

Sequence **B**



WARNING!
DO NOT UNSCREW
THE CABLE GLAND
AND THE VALVE

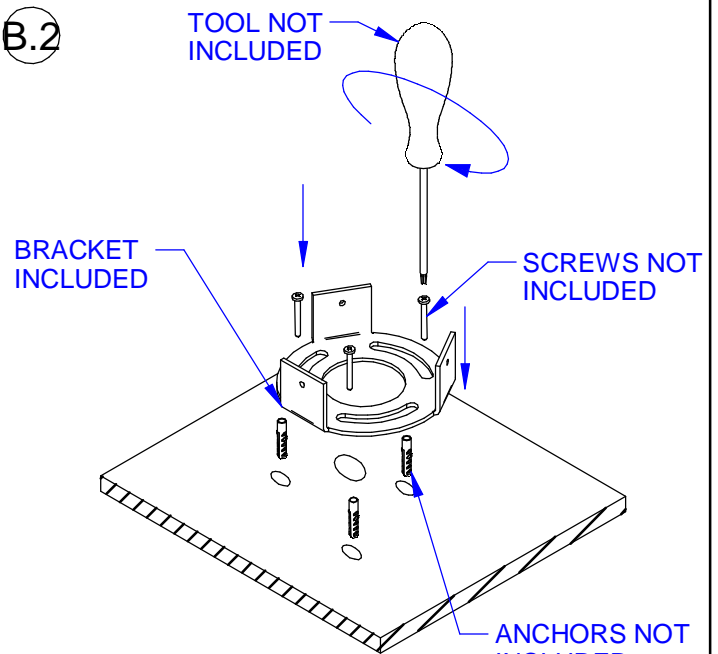
B.1



Remove the mounting bracket from the fixture.

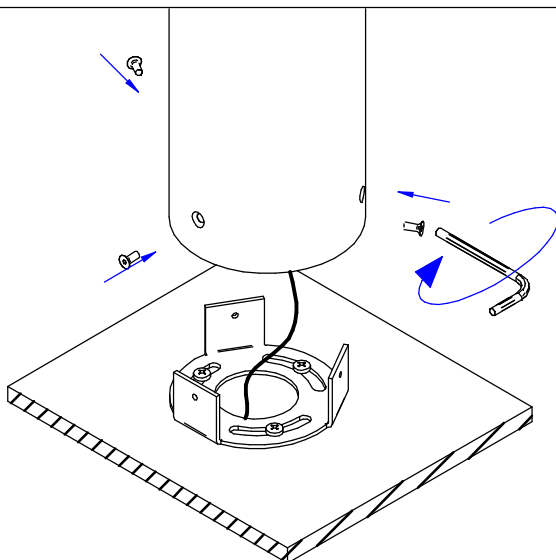
3ft direct burial cable + male connector installed
Female connector included.

B.2



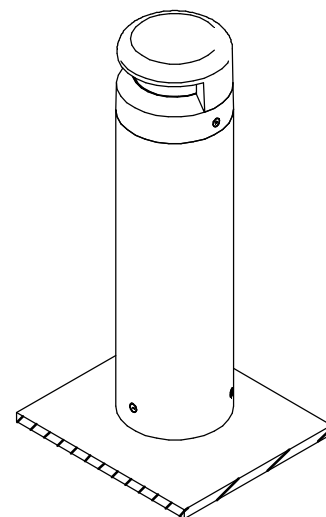
Mount the bracket on the floor.
Place the black plastic disk between the floor and the bracket by matching the shape. This will raise the Joe 5/64" off the ground, reducing the risk of corrosion from weathering or water pooling

B.3



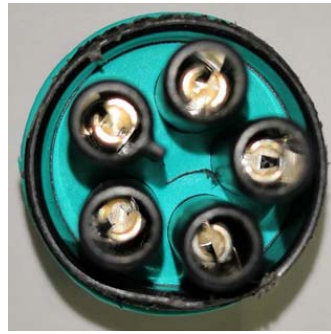
Make the wirings as shown in the wiring diagram.
Connectors are included

B.4

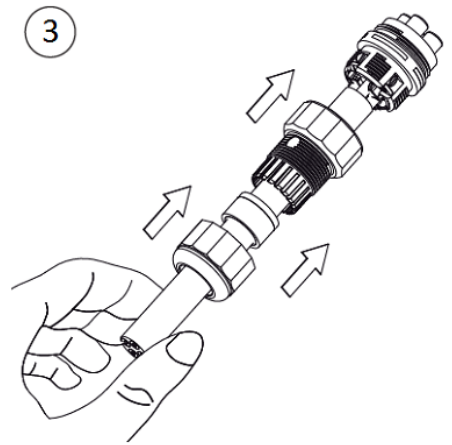
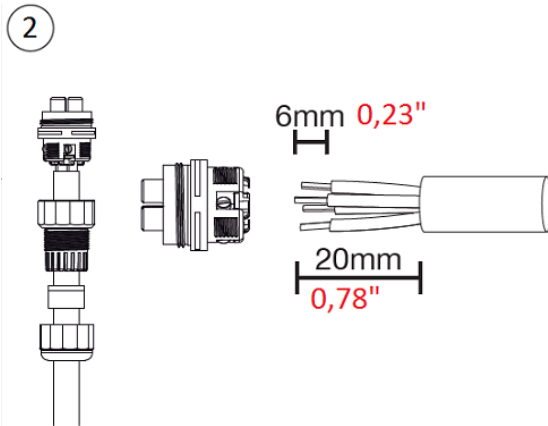
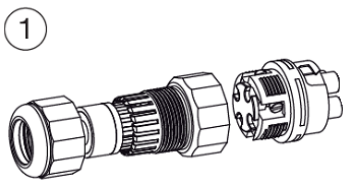


Installation complete

WIRING DIAGRAM



POLE 1 = LINE
POLE 2 = NEUTRAL
POLE 3 = 0-10V +
POLE 4 = GROUND
POLE 5 = 0-10V -



THIS PRODUCT MUST BE INSTALLED IN ACCORDANCE WITH THE APPLICABLE INSTALLATION CODE BY A PERSON FAMILIAR WITH THE CONSTRUCTION AND OPERATION OF THE PRODUCT AND THE HAZARDS INVOLVED

MOUNTING INSTRUCTIONS

READ ALL OF THESE INSTRUCTIONS BEFORE INSTALLING FIXTURES

- CAUTION: USE ONLY WITH CLASS 2 POWER UNIT
- Keep all of the instructions for future reference
- Turn off power before installing fixture
- Installation is to be performed by a qualified electrician only
- All installations must conform to the National Electrical Code as well as all local jurisdictional codes and regulations
- Any modification of the luminaire will void any and all written or implied warranties
- The manufacture accepts no responsibility for damage to persons or property arising through improper use or installation