

# Installation Instructions

Luminaires must be installed by a qualified electrician. Check with local and national codes for proper installation.



To prevent electrical shock disconnect electrical supply before installation or servicing.

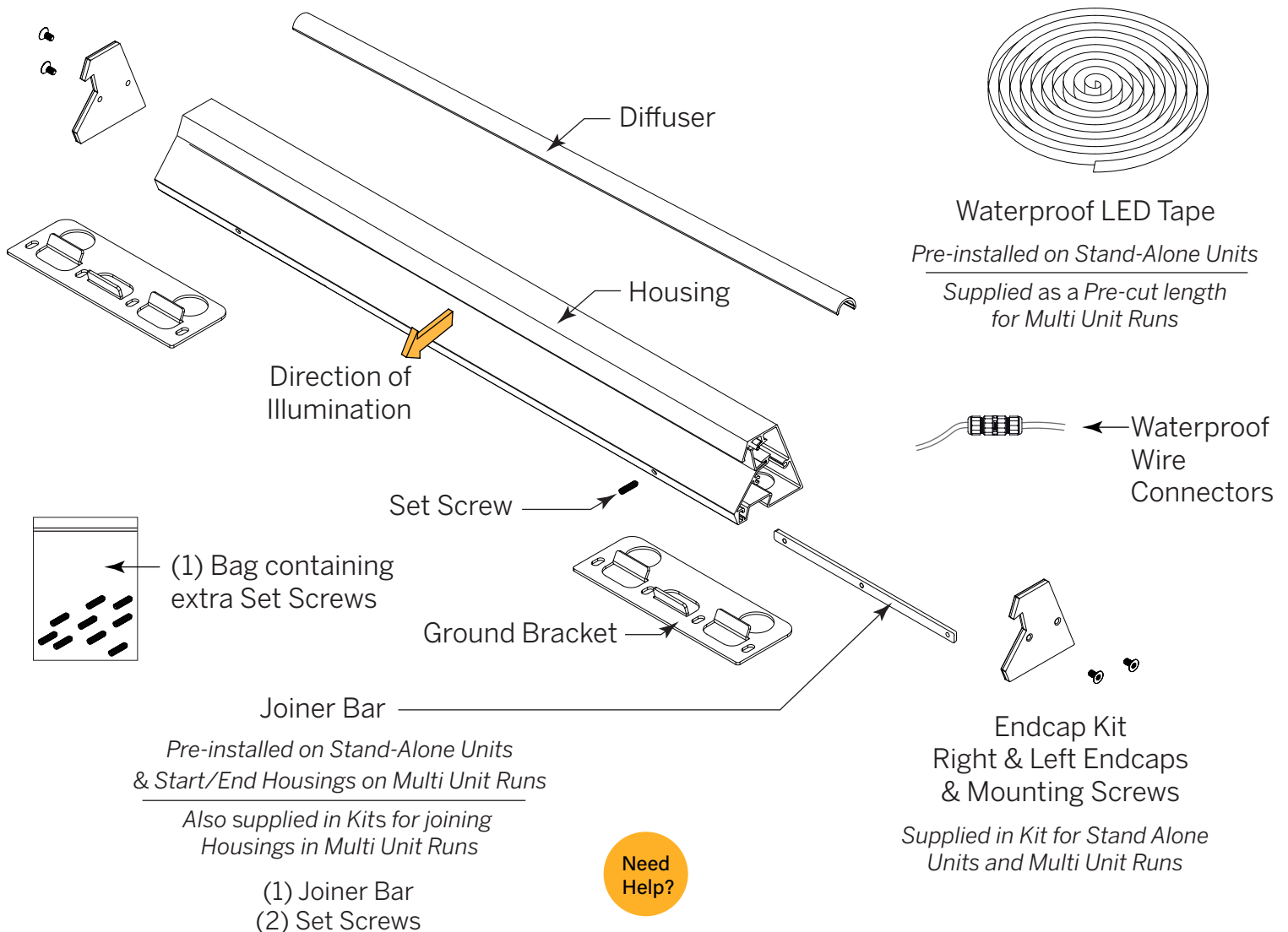
**Never connect a live fixture!!!**

Contractor is responsible for adequately reinforcing walls and/or ceilings to support fixture weight. Provide blocking when necessary.

## Step 1 - Open the Box

Unpack Luminaire unit(s). Your order will have some or all the following items. The **Stand-Alone** unit is supplied assembled, with Joiner Bars pre-installed. Endcaps are supplied in a Kit.

If your order is for a **Multi Unit Run**, it is supplied with Joiner Kits, an End Cap Kit for start and end of run, and a Reel of Waterproof LED Tape - all to be installed on site. Length of LED Tape configured at factory to fit length of Run. Remote drivers and housings supplied by Inter-lux.



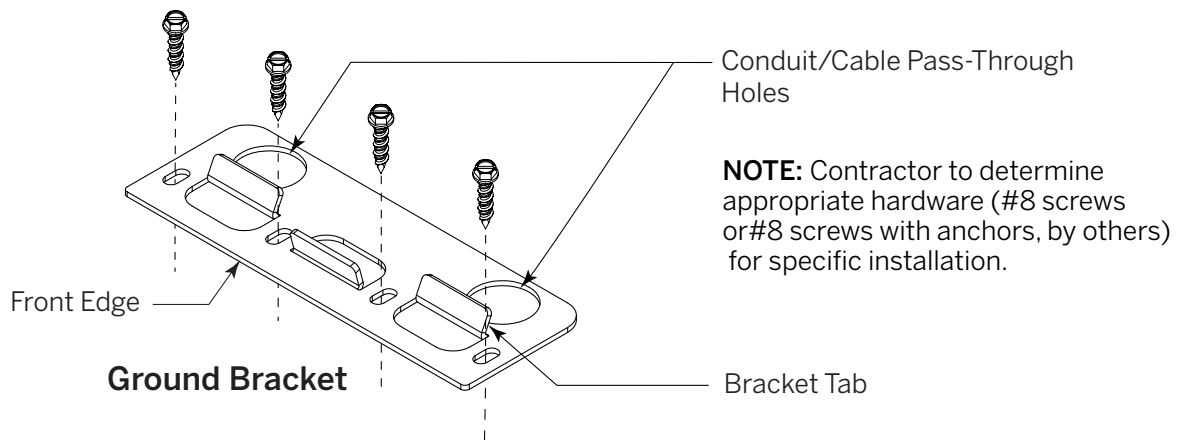
# Installation Instructions

**NOTE:**

Incoming power feed (and control) cables may enter on either side of fixture. Determine the appropriate side for your installation and apply directions accordingly.

## Step 2 - *Install Ground Brackets*

- a** Mark surface with straight line for Bracket locations with respect to power feed. For Multi Unit Runs, mark *entire run* for best accuracy. **NOTE:** (2) Brackets supplied for lengths up to 48", and (1) additional Bracket for lengths over 48".
- b** Mark and drill locations for screws (supplied by others).  
**IMPORTANT:** Orient Bracket such that luminaire faces correct direction. See page 1.

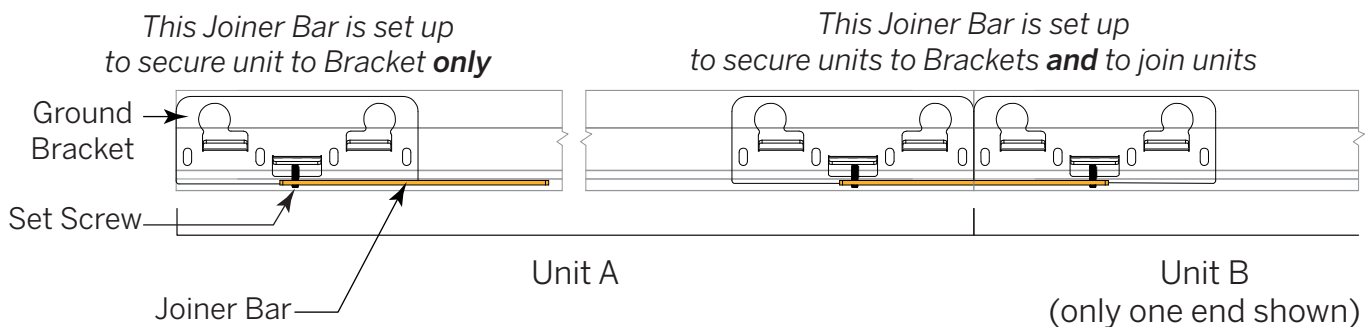


- c** Run cable or conduit from driver through Pass-Through Hole.
- d** Secure Bracket with screws. Repeat for remaining Brackets.

*For a Stand-Alone Unit,  
Skip to **Step 4***

## Step 3 - *Preparing Units for Mounting - Multi Unit Run Only*

**IMPORTANT:** Joiner Bars secure Housings to Brackets and to *join* Housings together.



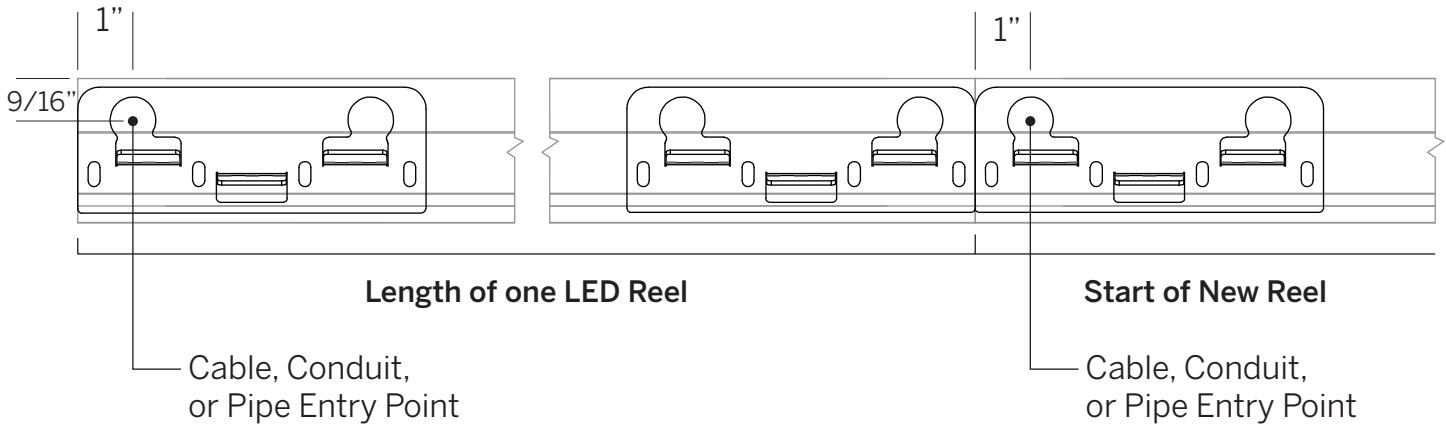
■ Grey = Housing



# Installation Instructions

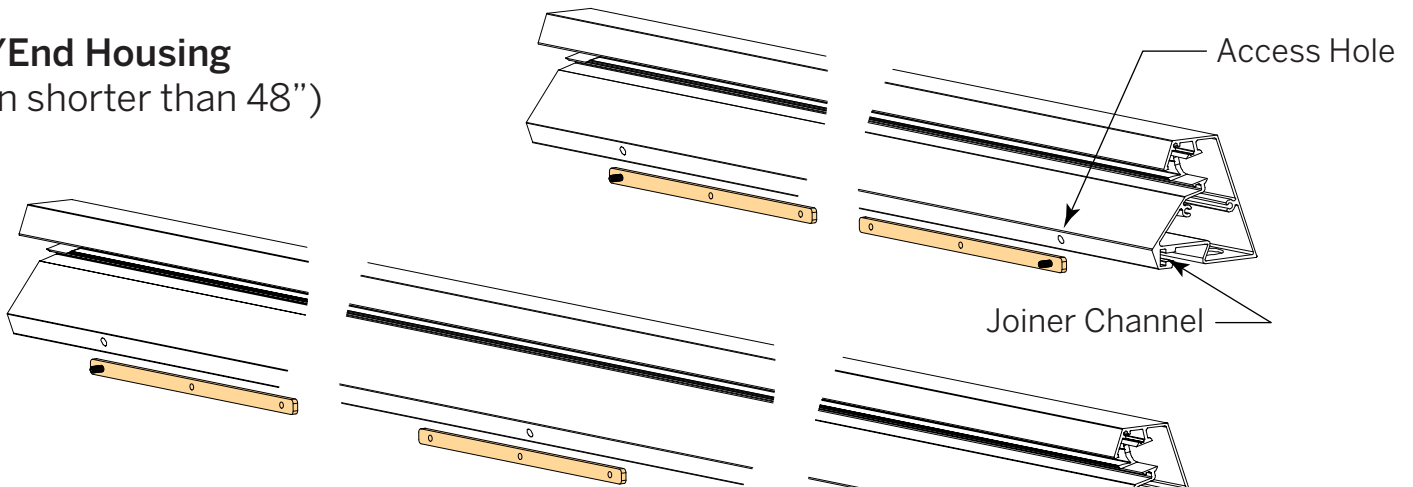
## Step 3 - *Continued*

**IMPORTANT:** Cable, Conduit, or Pipe Entry Point is always 1" from end of Housing



All Joiner Bars on **Start/End Housings** of a Multi Unit Run are pre-installed at factory. Each Joiner Bar corresponds to an *individual* Ground Bracket.

### Start/End Housing (shown shorter than 48")



### Start/End Housing (shown longer than 48")

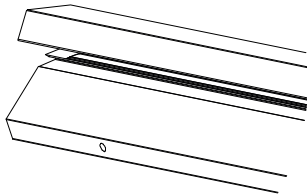
Joiner Bars are shown in approximate location in relation to their respective Access Hole.



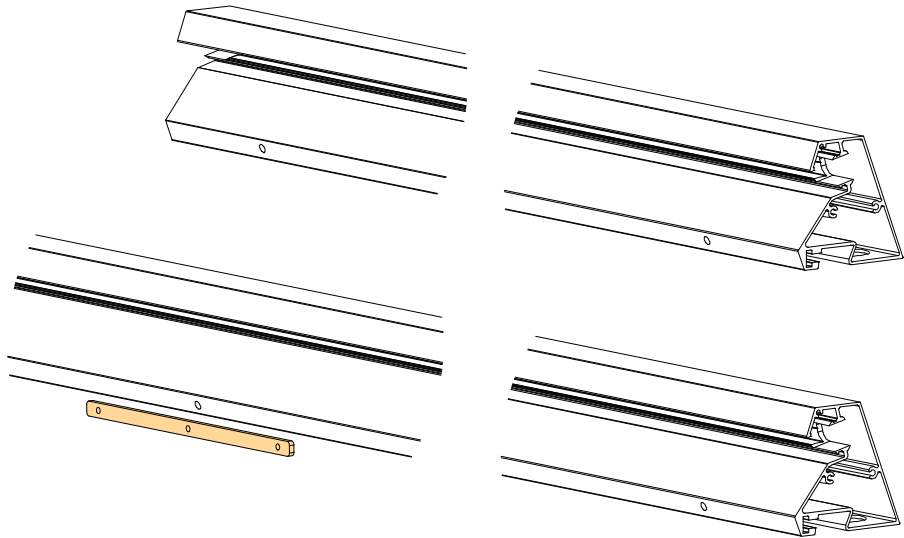
# Installation Instructions

## Step 3 - *Continued*

**Middle Housing**  
(Shorter than 48")

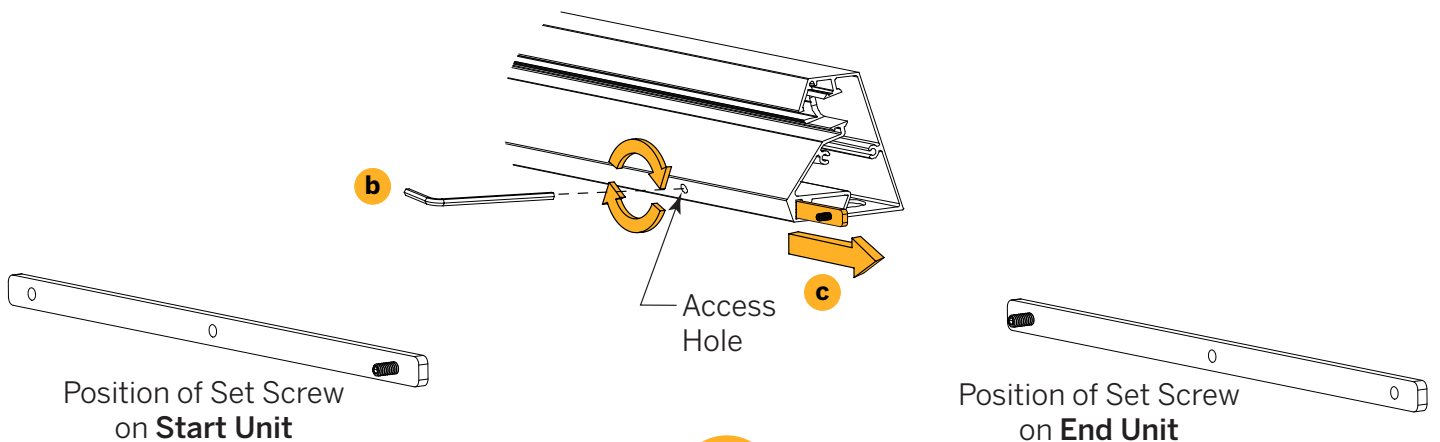


**Middle Housing**  
(Longer than 48")



Prepare a **Start/End Housing** for mounting to join an **Adjacent Middle Housing**

- a** Remove Diffusers from Housings and set aside.
- b** Insert 2mm Hex key into Access Hole on Housing. Turn Set Screw clockwise to tighten. Tighten only enough to clear Access Hole. This will allow Joiner Bar to slide.
- c** Curl fingers underneath profile and pull out Joiner Bar along with Set Screw.

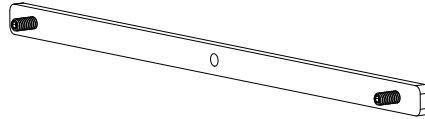


# Installation Instructions

## Step 3 - *Continued*

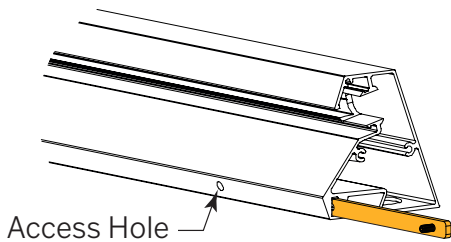
- d** Locate Bag of additional set screws. Add Set Screw to opposite end.

New Positions of Set Screws  
for **Start Unit** or **End Units**

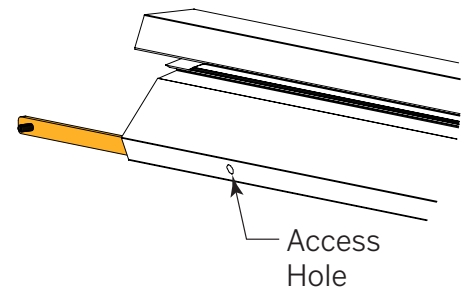


- e** Reinsert Joiner Bar. Back out Set Screw through Access Hole to lock Joiner Bar in place until unit is mounted.

**Start Unit** ready to join to a **Middle Housing**



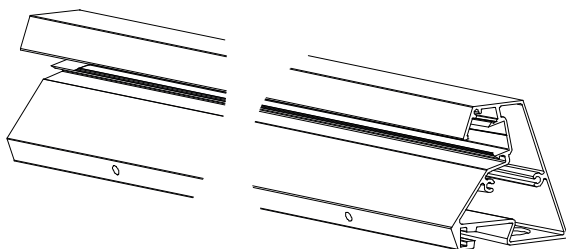
**End Unit** ready to join to a **Middle Housing**



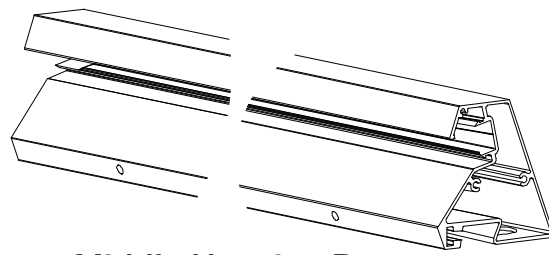
## Prepare a **Middle Housing** for mounting that is to join an **Adjacent Middle Housing**

Middle Housings *do not* have Joiner Bars on their ends. Your order may have several Middle Housings. These units need preparation for mounting via the Joiner Kits.

- a** Remove Diffusers from Housings and set aside.
- b** Locate Joiner Kit, consisting of (1) Joiner and (2) Set Screws



Middle Housing A



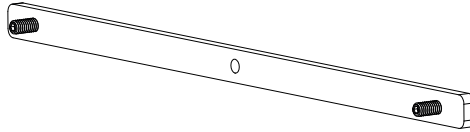
Middle Housing B



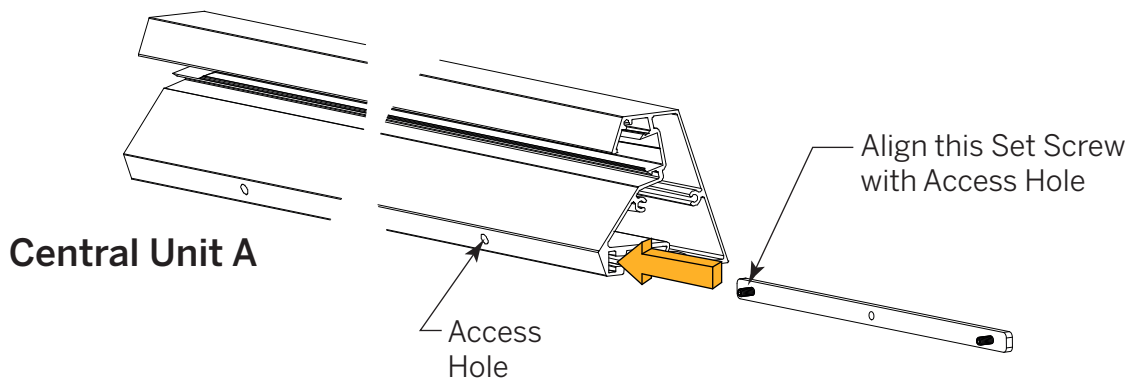
# Installation Instructions

## Step 3 - *Continued*

- c** Arrange Joiner Bar and Set Screws from Kit like this:



- d** Insert Joiner Bar into Joiner Channel. Align Set Screw with Access Hole. Back Set Screw out to lock Joiner Bar in position.



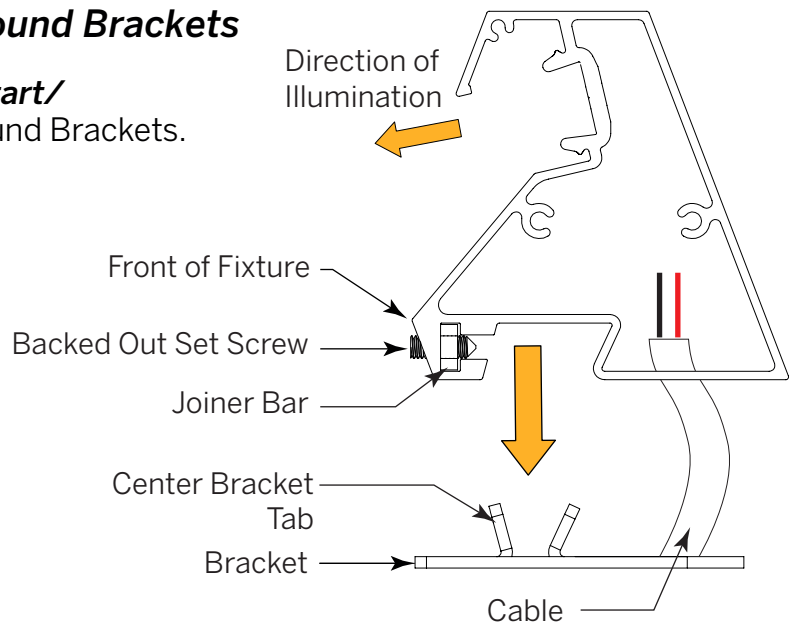
## Step 4 - *Mounting Housings to Ground Brackets*

- a** Begin with **Stand-Alone** or prepared **Start/End** Housing. Lower Housing onto Ground Brackets. Pull cable or conduit through hole.

Place Housing such that Access Hole is directly in front of Center Bracket Tab.

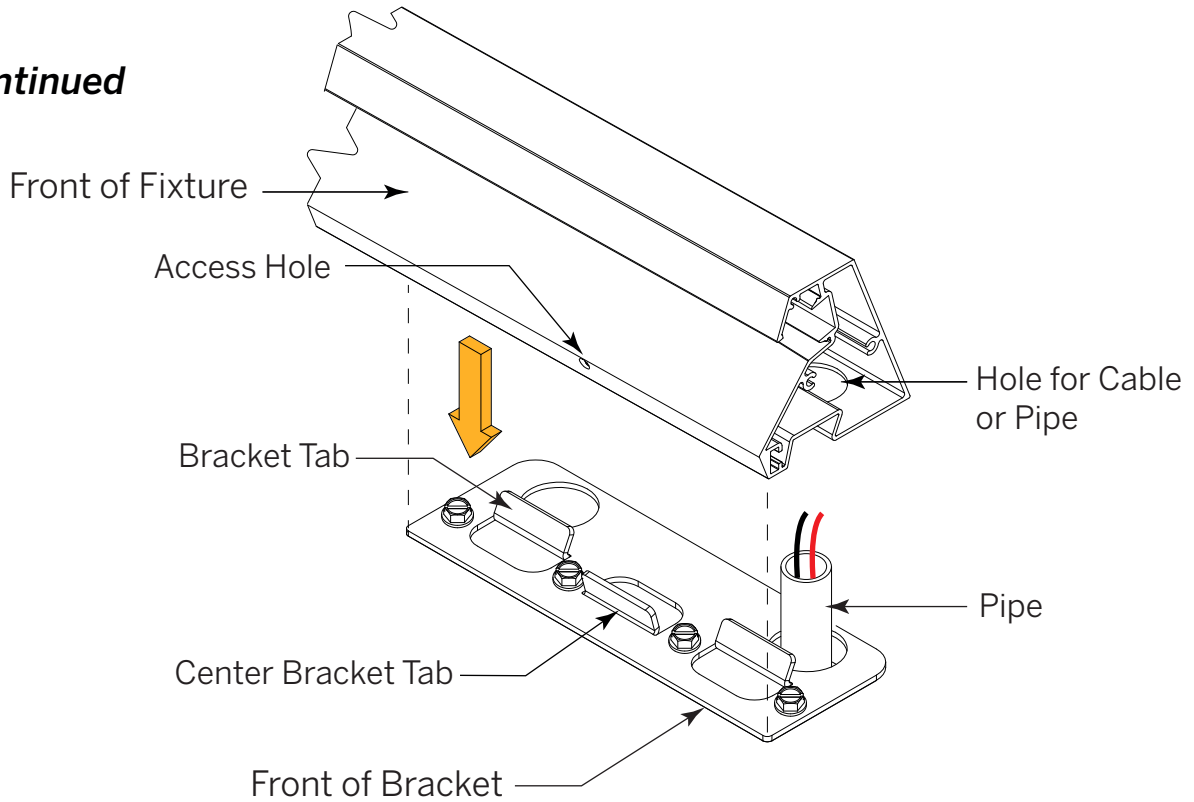
- b** Trim Cable or Pipe as needed.

**NOTE:** The Set Screws on Stand-Alone Units will already be backed out since the Joiner Bars are locked in place before leaving the factory.

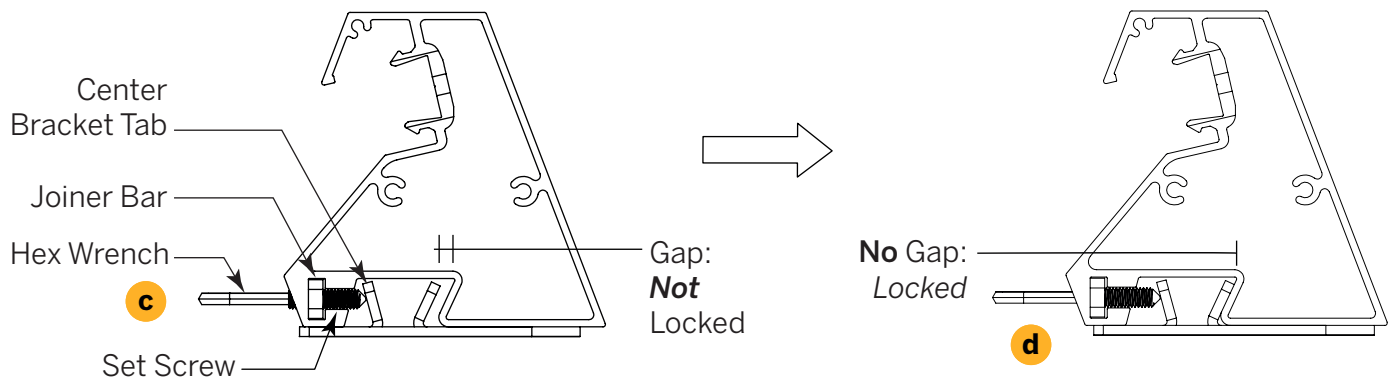


# Installation Instructions

## Step 4 - *Continued*



- c** Tighten Set Screw to advance and engage Center Tab...
- d** ...Continue to tighten until Housing engages Bracket. Do not overtighten.



For a Multi Unit Run  
Skip to **Step 6**

Need  
Help?

# Installation Instructions

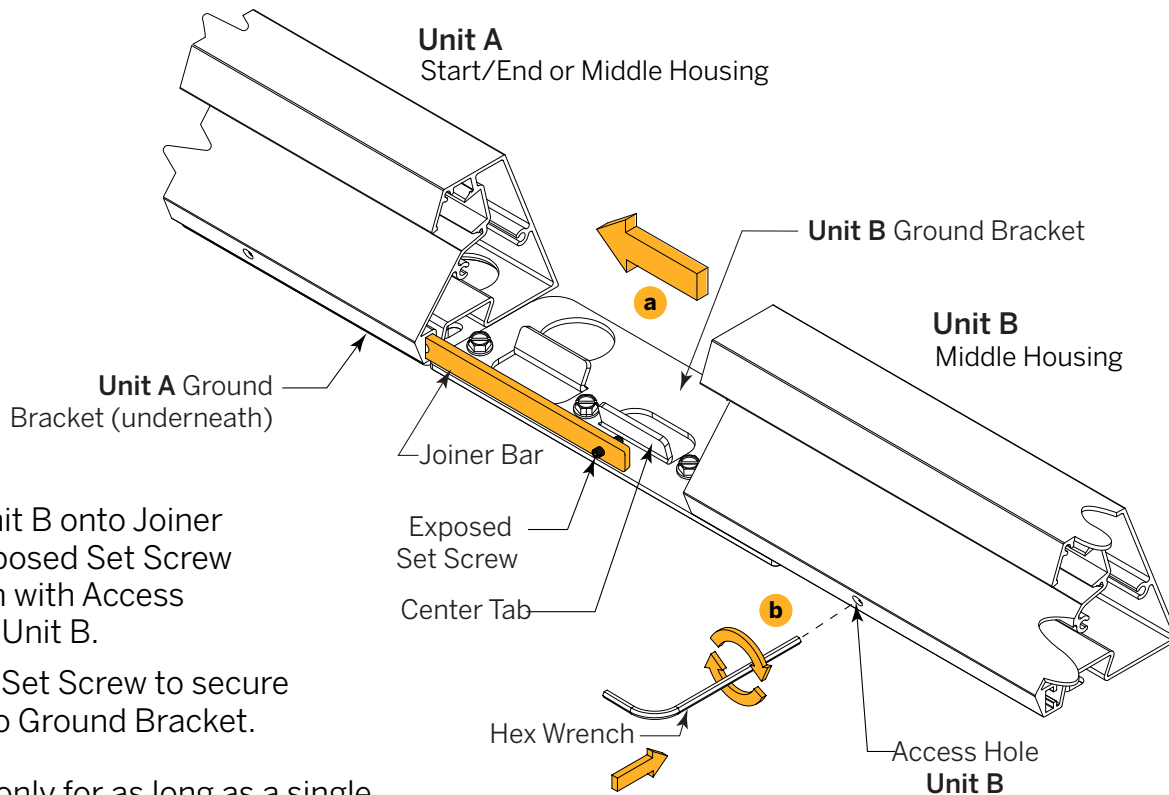
## Step 5 - **Wiring** - Stand Alone Unit only

- a** Connect leads of LED Tape to incoming power (and control) feed using supplied Waterproof Connectors.
- b** Tuck wires into Housing.

**NOTE:** See Wiring & Driver document for more information

Skip to **Step 7**

## Step 6 - **Joining Adjacent Units/LED Tape Installation and Wiring** - Multi Unit Run only



- a** Slide Unit B onto Joiner Bar. Exposed Set Screw will align with Access Hole on Unit B.
- b** Tighten Set Screw to secure Unit B to Ground Bracket.
- c** Repeat only for as long as a single continuous length of LED Tape.

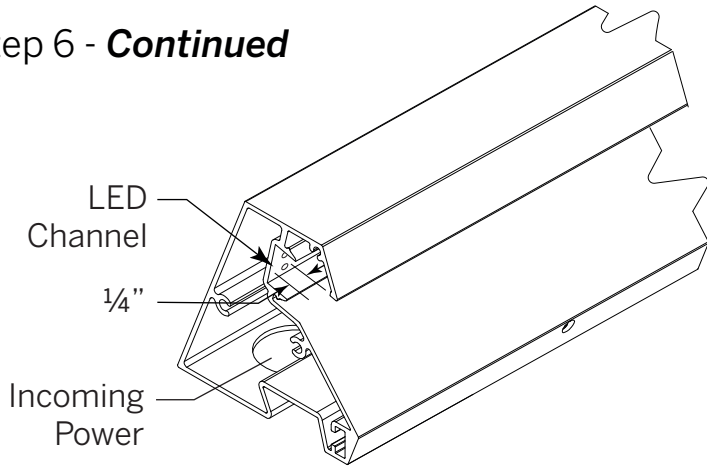
For example, if your entire run is 64', and the length of the LED tapes is 16', install and join only the housings that will receive that 16' length. This will allow wiring access to the next incoming power feed.





# Installation Instructions

## Step 6 - *Continued*



**c** Start laying LED tape 1/4" from powered end of first unit inside LED Channel. Peel backing paper a little at a time to expose adhesive.

**d** Installation of LED tape will proceed **largely by feel** as the LED Channel faces down and away from view.

Peel backing paper a little at a time to expose adhesive. Hold this portion of tape taut and lay tape pressing in spots to adhere to Channel. Continue in like manner, returning to apply heavier pressure.

**e** Connect leads of LED Tape to incoming power (and control) feed using supplied Waterproof Connectors.

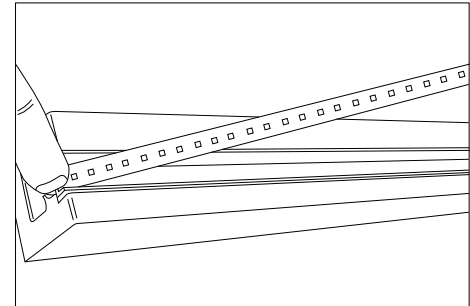
**f** Tuck wires into Housing.

**g** Repeat for next length of LED Tape.

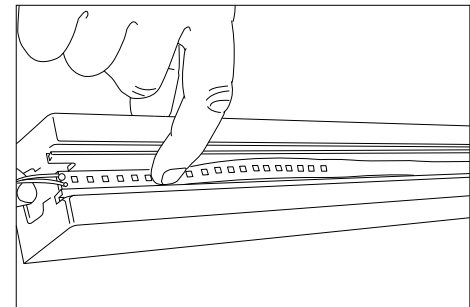
**NOTE:** See Wiring & Driver document at the end of these instructions.



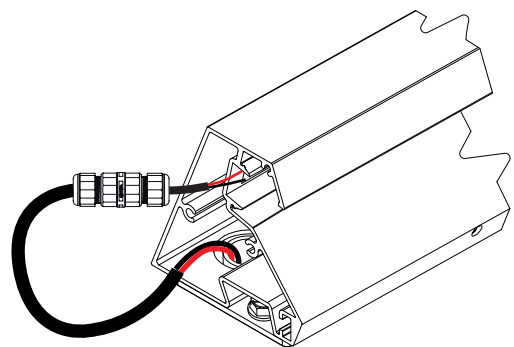
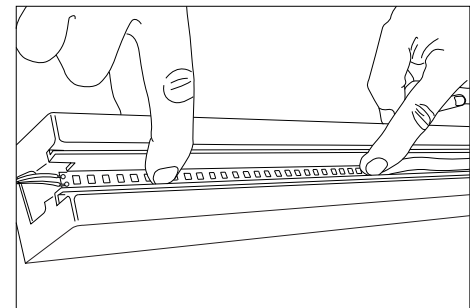
Use the sequence of illustrations below as a general guide (even though profile and tape are different.)



**c**



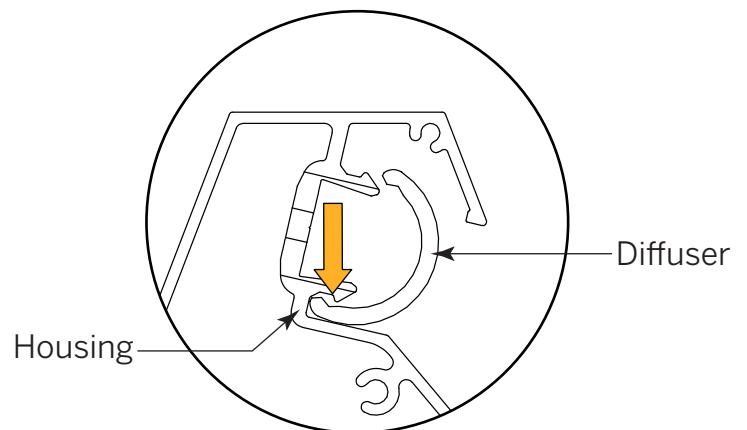
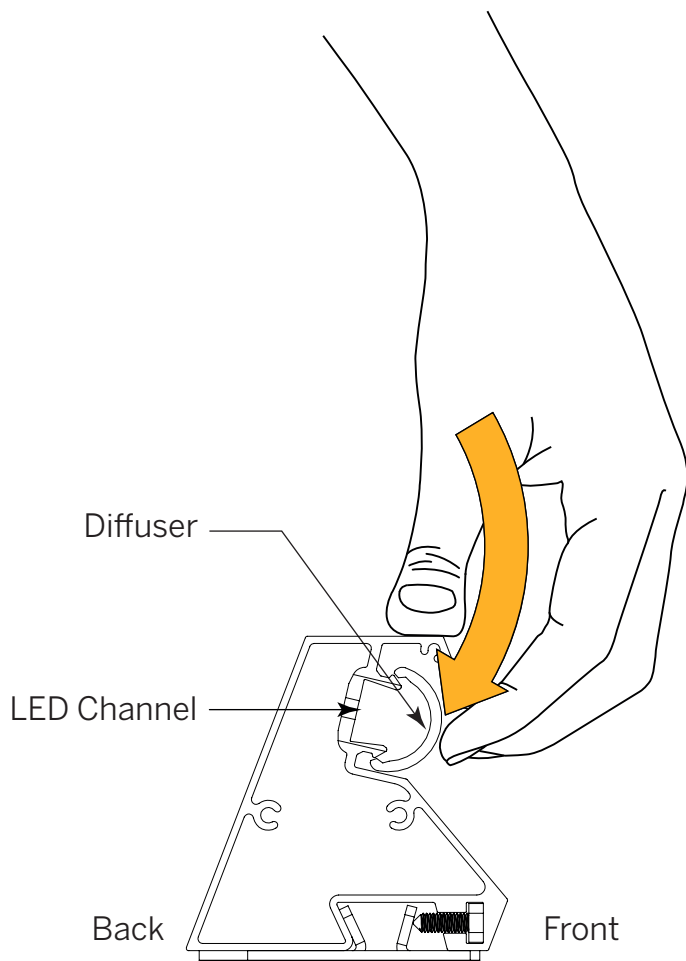
**d**



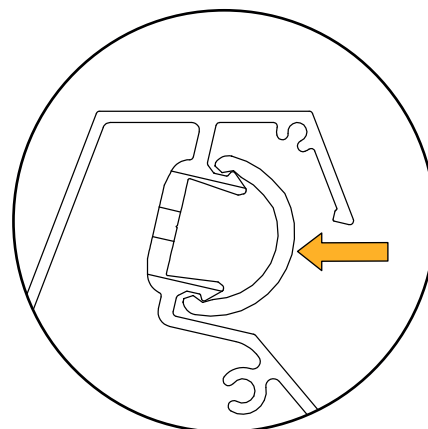
# Installation Instructions

## Step 7 - *Reinstallation of Diffuser*

- a** Approach Luminaire from the back and place diffuser over LED Channel, hooking fingers over top as shown below.
- b** Starting at one end of Luminaire and using a downward motion, press diffuser back towards yourself. Diffuser will seat on edges of Channel.
- c** Continue in like fashion along length of Diffuser. An assistant may be helpful for longer lengths.



The lower half of diffuser gets positioned with the **downward** motion.



The upper and lower halves of diffuser get seated with the **backward** motion.

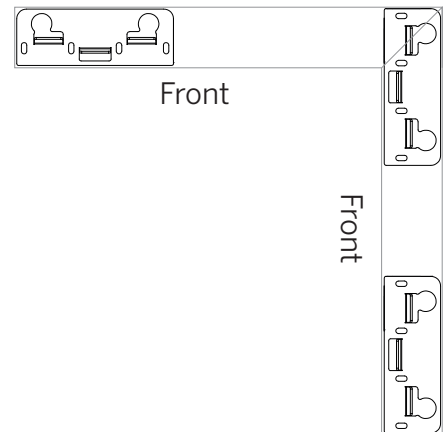
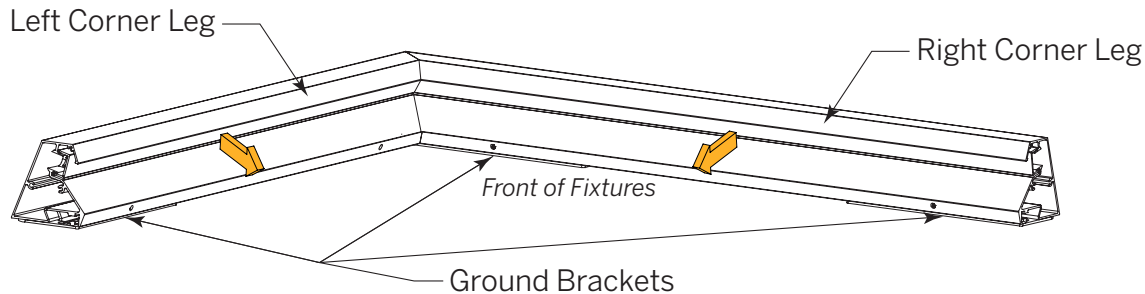


# Installation Instructions

## Step 8 - *Installation of Corners*

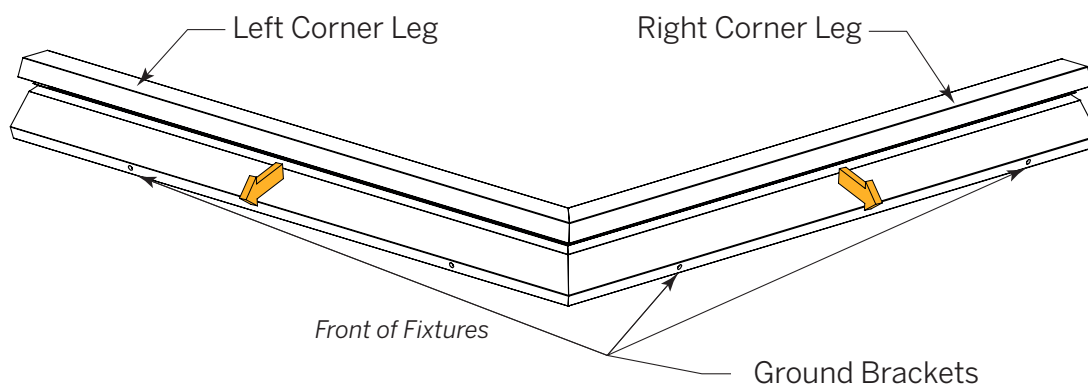
Skip to Step 8 if your order does not include corners.

### *Inside Corner*



All corners are supplied welded. Corners are supplied with (3) Ground Brackets: one at each leg end, and one functioning for the corner mount. See right.

### *Outside Corner*



Corners leave the factory with (2) Joiner Bars installed, each one for the two Ground Brackets on the right leg. Join Left Corner Leg as "Unit B" in **Step 6**. Prepare Right Corner Leg as in **Step 3, Page 5**.



# Installation Instructions

## Step 9 - **Installation of End Caps**

- a** Replace Diffusers on entire run.
- b** Locate Endcap Kit. Install Endcaps at beginning and end of Run using supplied screws.

