

Installation Instructions

Luminaires must be installed by a qualified electrician. Check with local and national codes for proper installation.



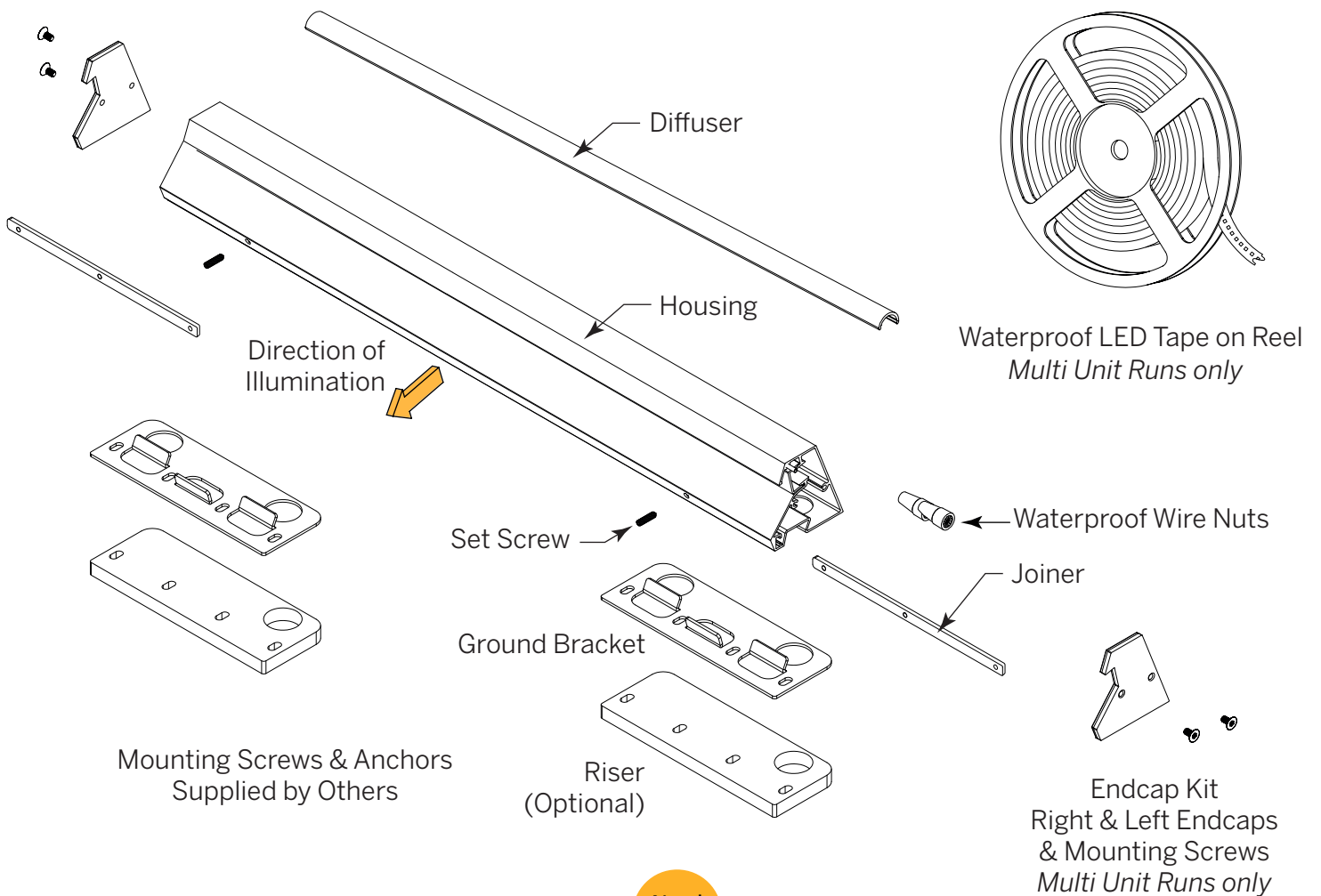
To prevent electrical shock disconnect electrical supply before installation or servicing.
Never connect a live fixture!!!

Contractor is responsible for adequately reinforcing walls and/or ceilings to support fixture weight. Provide blocking when necessary.

Step 1 - Open the Box

Unpack Luminaire unit(s). Your order will have some or all the following items. The **Stand-Alone** unit is comprised of the Housing, (2) Ground Brackets, Diffuser, End Caps, and Waterproof LED tape.

If your order is for a **Multi Unit Run**, it is supplied with Joiner Kits, an End Cap Kit for start and end of run, and a Reel of Waterproof LED Tape - all to be installed on site. Length of LED Tape configured at factory to fit length of Run. The number of Joiners match the number of Brackets needed to secure each unit. Remote drivers and housings supplied by Inter-lux.



Need Help?

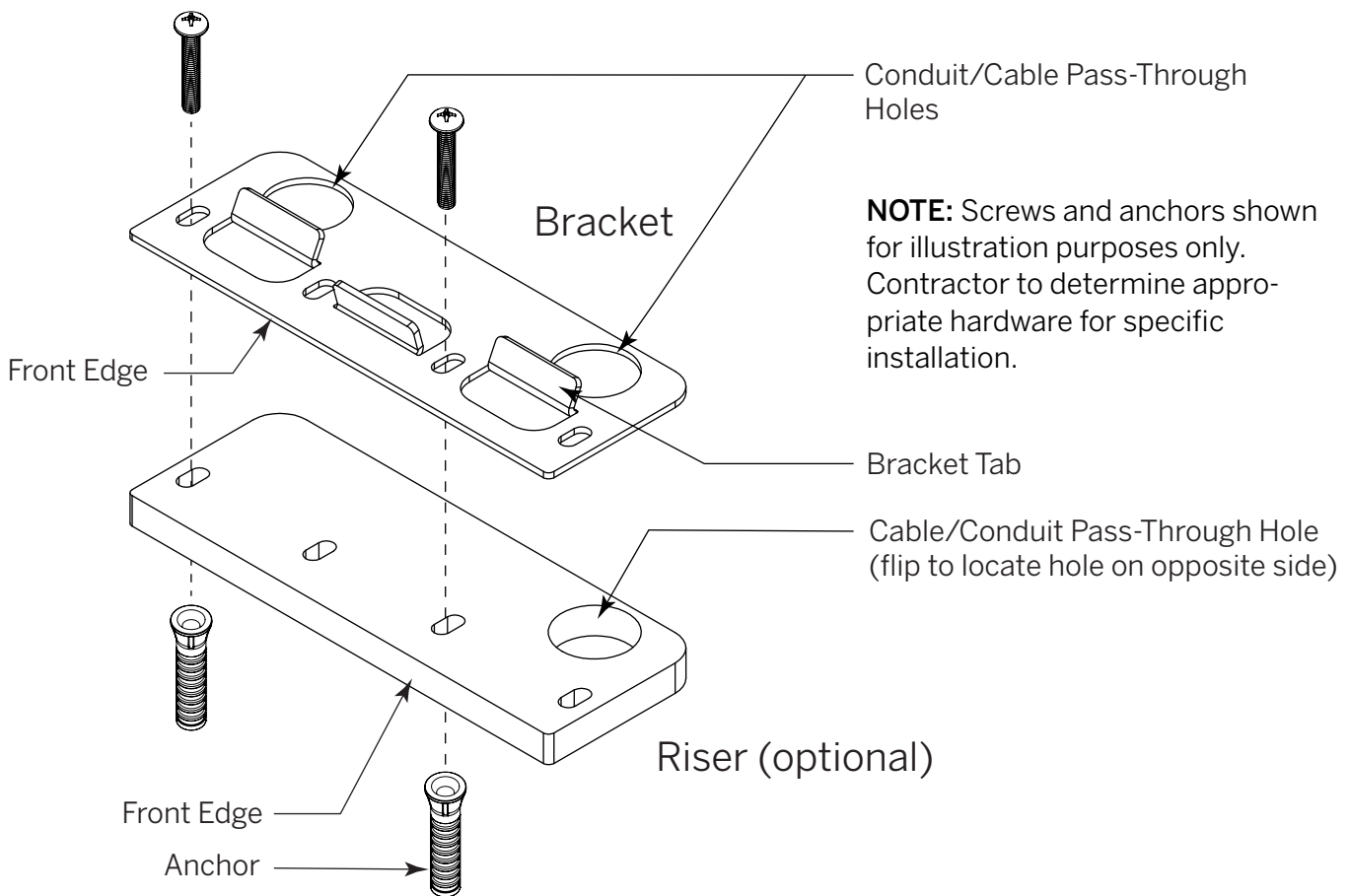
Installation Instructions

NOTE:

Incoming power feed (and control) cables may enter on either side of fixture. Determine the appropriate side for your installation and apply directions accordingly.

Step 2 - *Install Brackets*

- a** Mark surface with straight line for Bracket locations with respect to power feed. For Multi Unit Runs, mark *entire run* for best accuracy. **NOTE:** (2) Brackets for lengths up to 4', and an additional Bracket for every 2' up to a maximum length of 8'.
- b** Mark and drill locations for screws and anchors (supplied by others). Use minimum two per bracket. **IMPORTANT:** Orient Bracket such that luminaire faces correct direction.



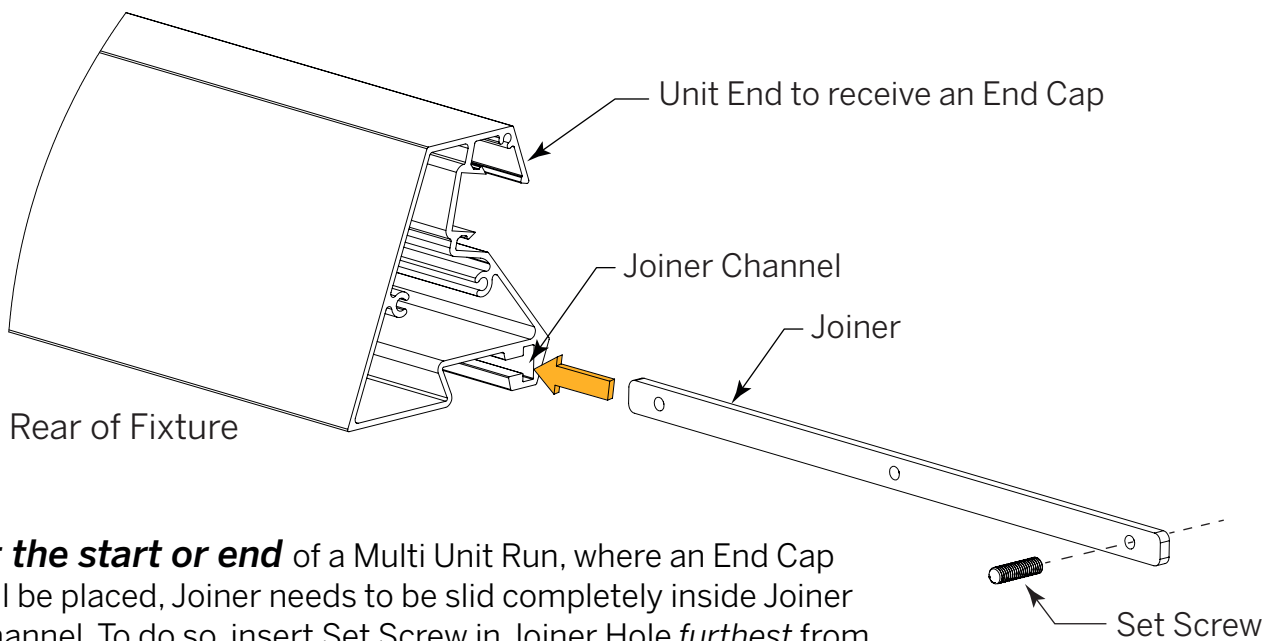
- c** Thread cable or conduit from driver through Pass-Through Hole.
- d** Insert anchors. Secure Bracket with screws. Repeat for remaining Brackets.

Installation Instructions

Step 3 - **Install Joiners** - Multi Unit Run Only

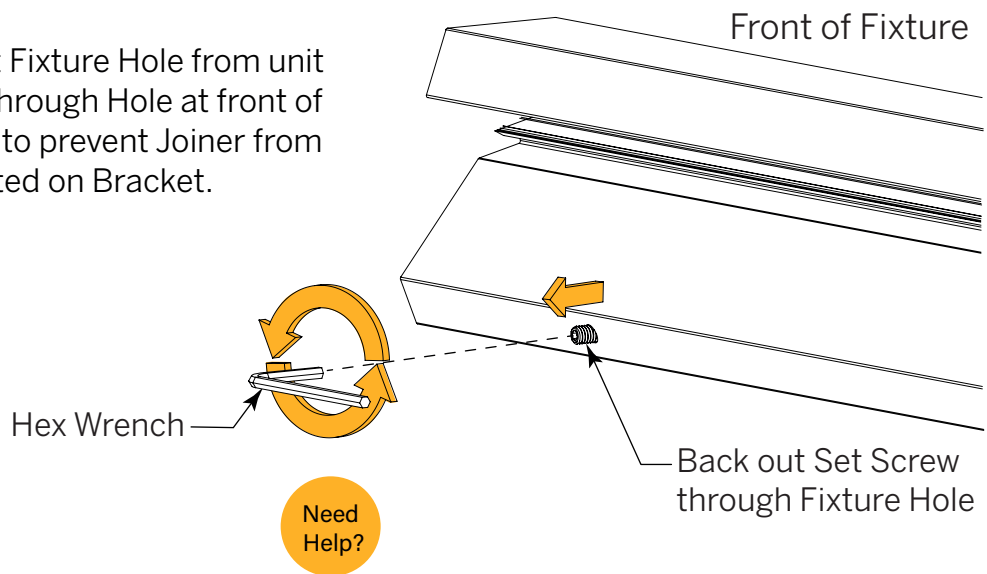
IMPORTANT: Joiner secure units to brackets, even if they are not being used to join two units together. Insert all Joiners into their respective positions before joining individual units.

- a** Remove Diffusers from all units and set aside.



- b** **At the start or end** of a Multi Unit Run, where an End Cap will be placed, Joiner needs to be slid completely inside Joiner Channel. To do so, insert Set Screw in Joiner Hole *furthest* from Joiner Channel entry.

Align Set Screw with first Fixture Hole from unit end. Insert Hex Wrench through Hole at front of unit. Back out Set Screw to prevent Joiner from sliding until unit is mounted on Bracket.

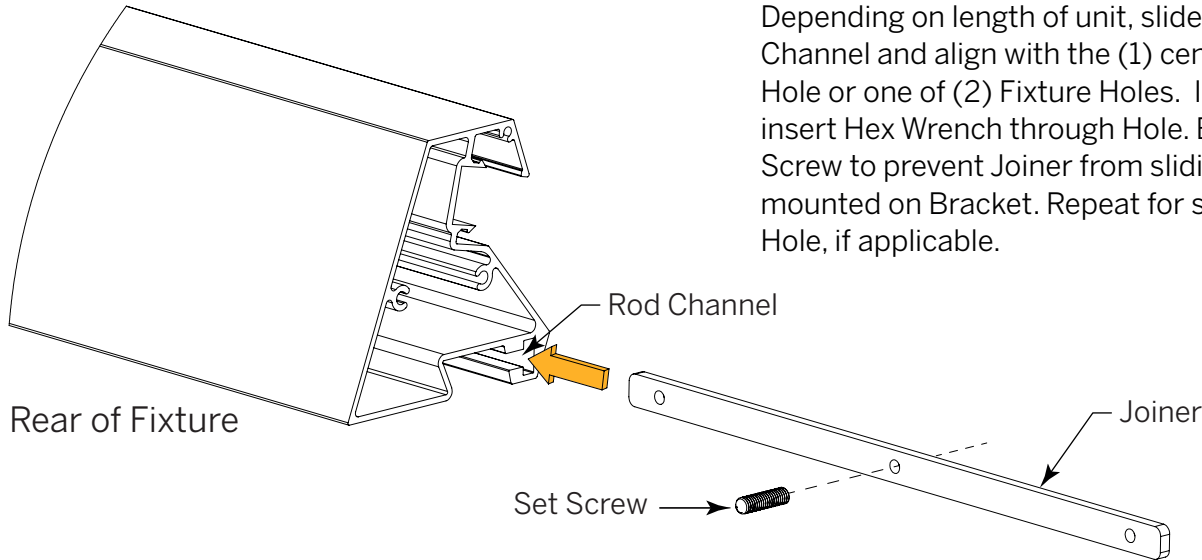


Installation Instructions

Step 3 - *Continued*

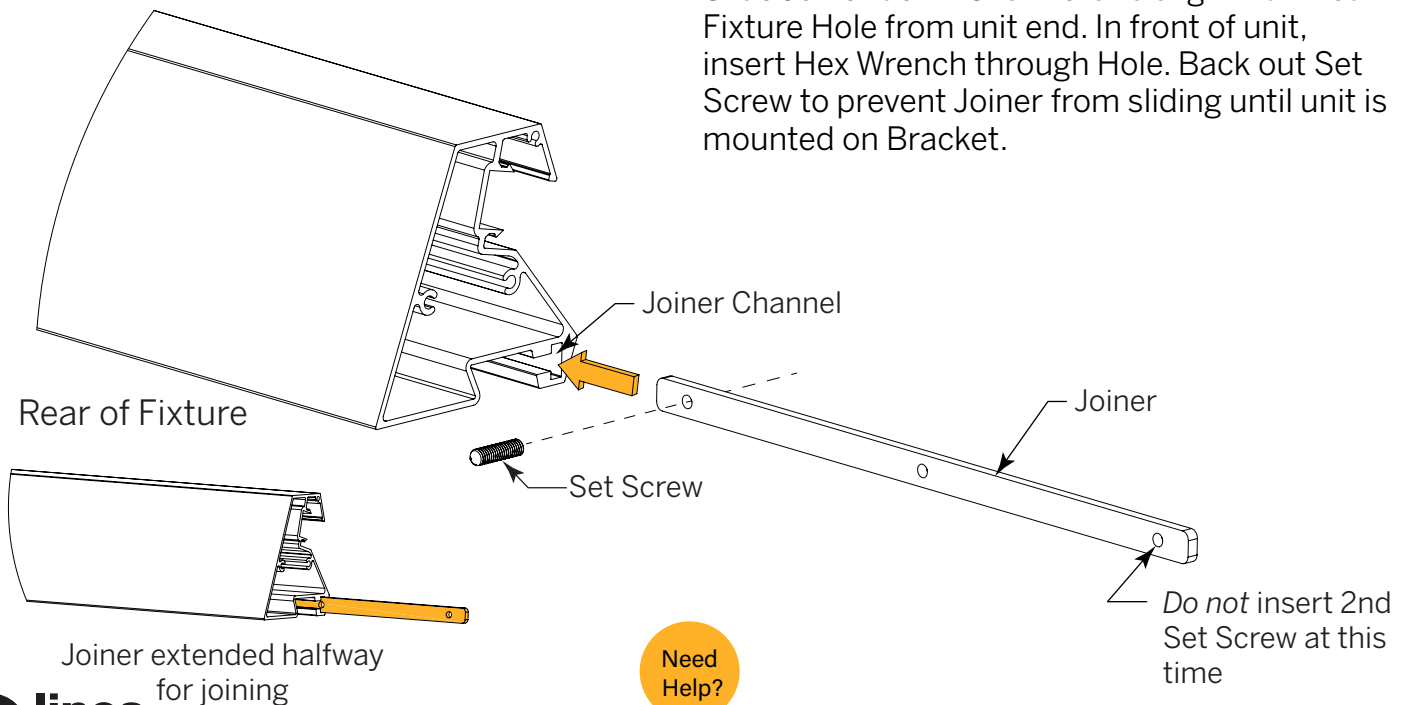
- c** **At the center of a unit** within a Multi Unit Run insert Set Screw at center of Joiner. Units 48"-72" have (1) center Joiner. Units 72"-96" have (2) center Joiners.

Depending on length of unit, slide Joiner down Channel and align with the (1) center Fixture Hole or one of (2) Fixture Holes. In front of unit, insert Hex Wrench through Hole. Back out Set Screw to prevent Joiner from sliding until unit is mounted on Bracket. Repeat for second center Hole, if applicable.



- d** **To join two units** of a Multi Unit Run, insert Set Screw into Hole *nearest* to Joiner Channel entry. Half of Joiner will extend past end of unit.

Slide Joiner down Channel and align with first Fixture Hole from unit end. In front of unit, insert Hex Wrench through Hole. Back out Set Screw to prevent Joiner from sliding until unit is mounted on Bracket.



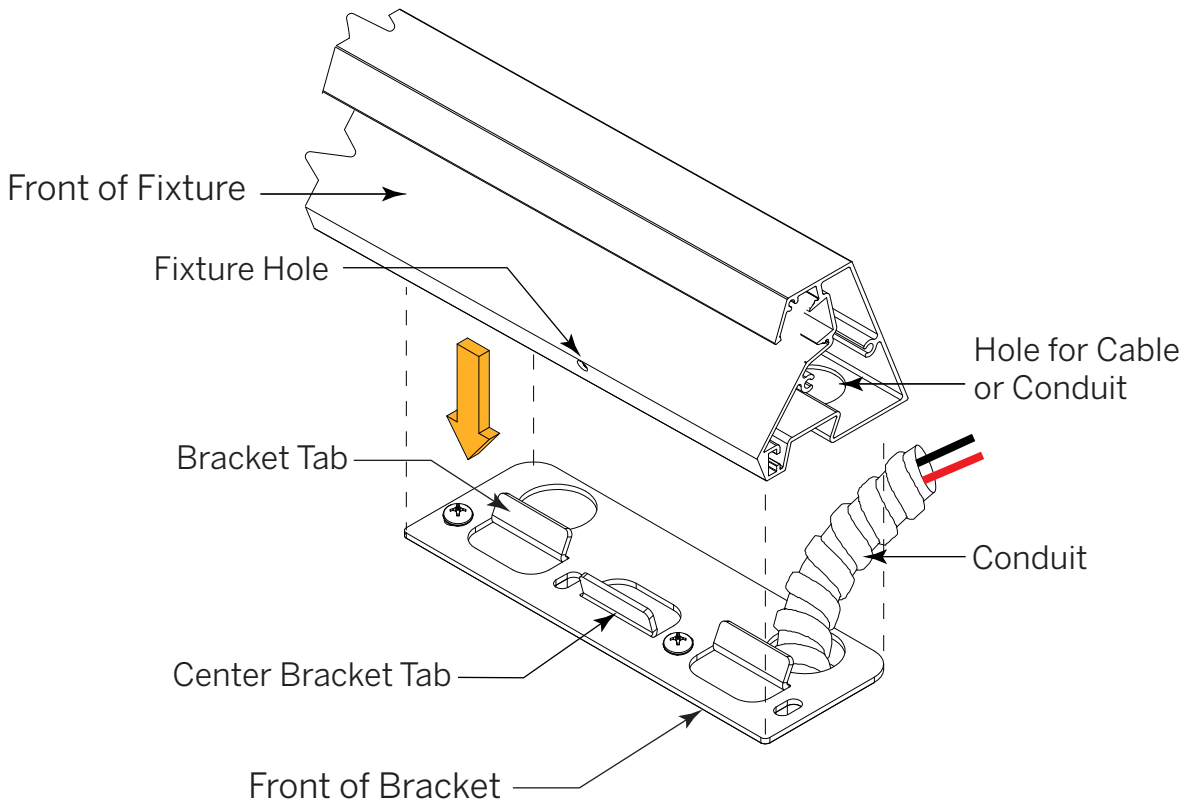
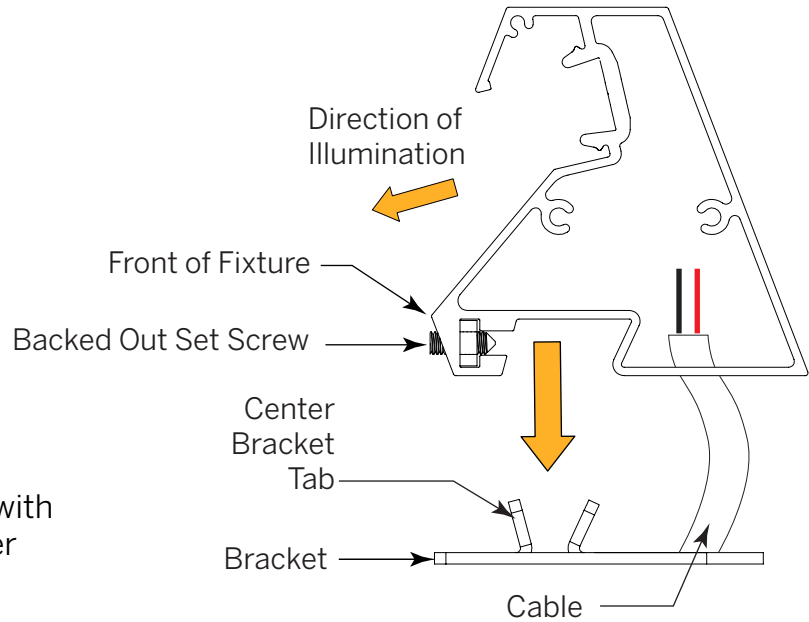
Need Help?

Installation Instructions

Step 4 - **Mount Luminaire Unit(s)**

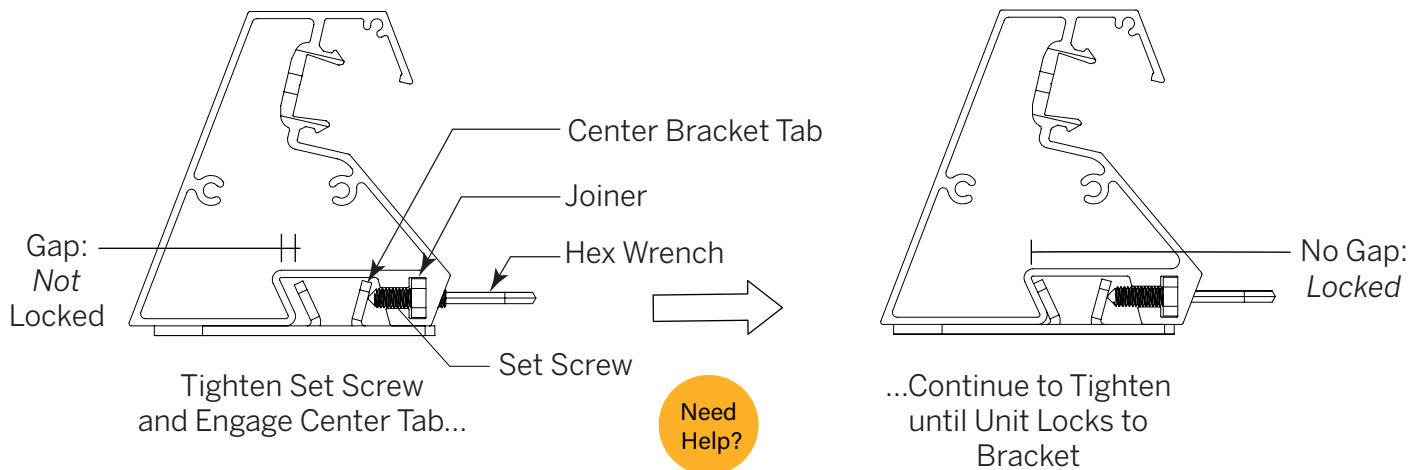
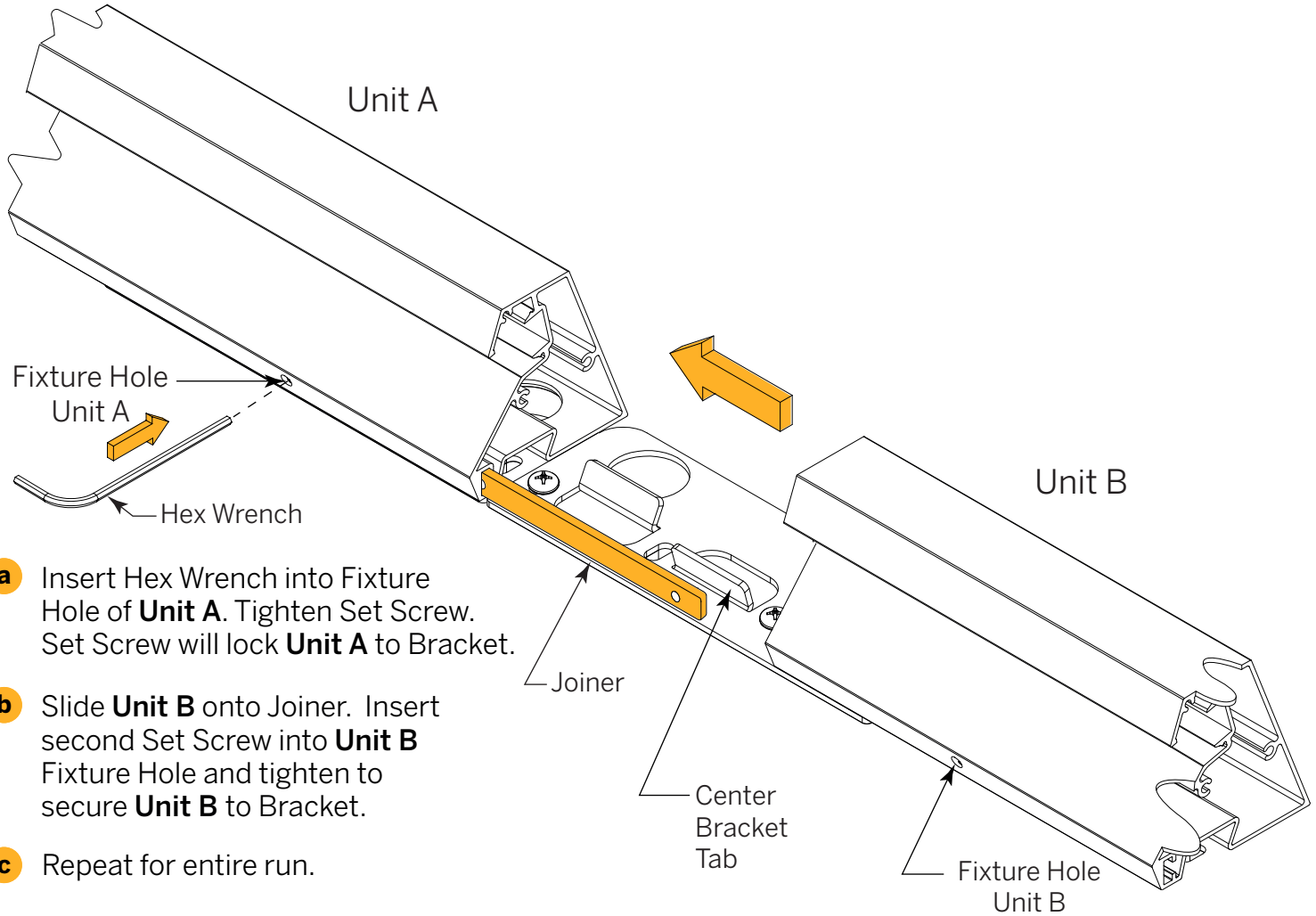
Lower luminaire onto brackets. Pull cable or conduit through hole.

Place Fixture such that Fixture Hole (with Set Screw) is directly in front of Center Bracket Tab.



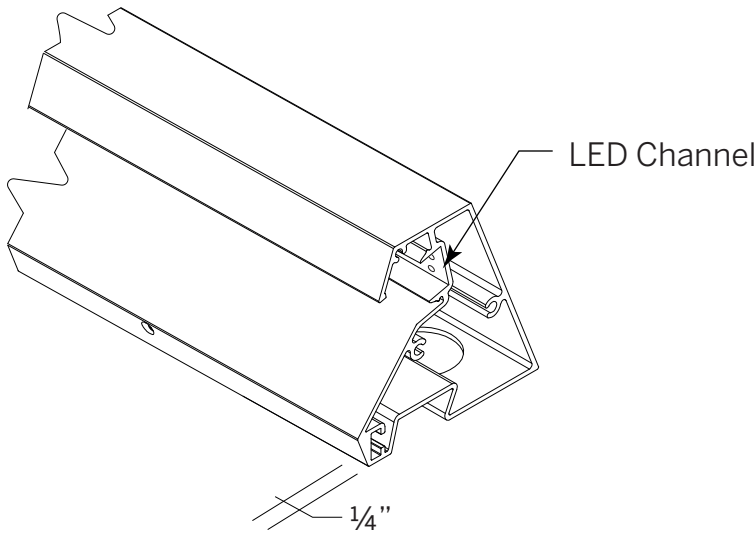
Installation Instructions

Step 5 - *Joining Adjacent Units* - Multi Unit Run Only

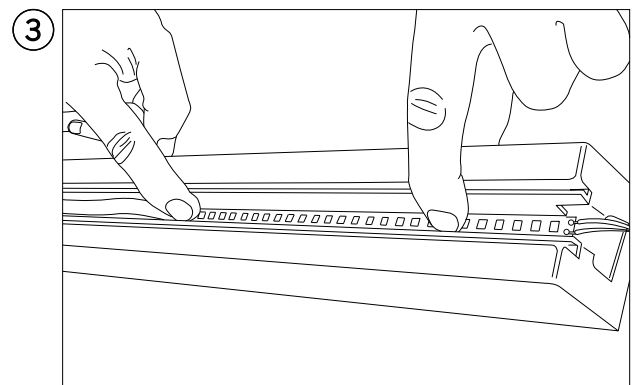
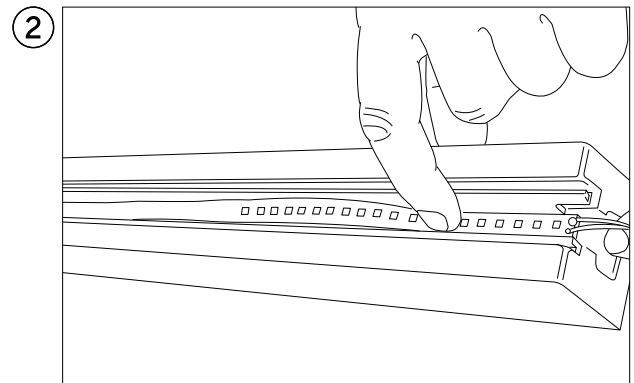
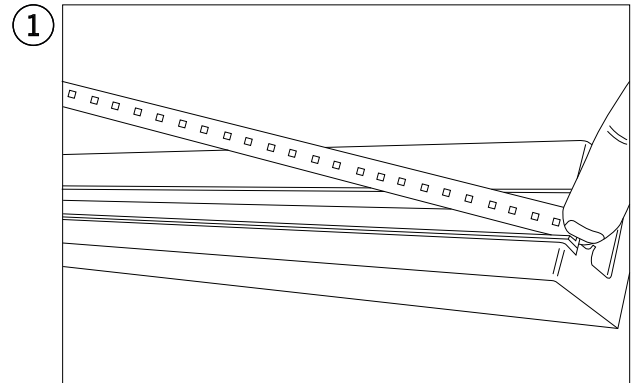


Installation Instructions

Step 5 - *Installation of LED Tape and Wiring* - Multi Unit Run Only



Use the sequence of illustrations below as a general guide (even though profile and tape are different.)



a Start laying LED tape 1/4" from powered end of first unit inside LED Channel. Peel backing paper a little at a time to expose adhesive.

b Installation of LED tape will proceed **largely by feel** as the LED Channel faces down and away from view.

Peel backing paper a little at a time to expose adhesive. Hold this portion of tape taut and lay tape pressing in spots to adhere to Channel. Continue in like manner, returning to apply heavier pressure.

c Connect leads of LED Tape to incoming power (and control) feed using supplied Waterproof Wire Nuts.



Installation Instructions

Step 6 - **Installation of End Caps** - Multi Unit Run Only

- a** Replace Diffusers on entire run.
- b** Locate End Cap Kit. Install End Caps at beginning and end of Run using supplied screws.

