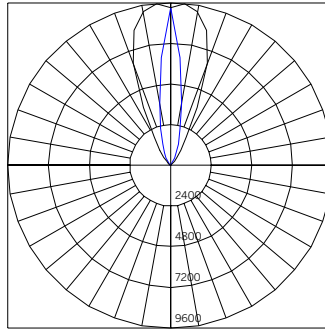


Archiline Frameless

FIXED

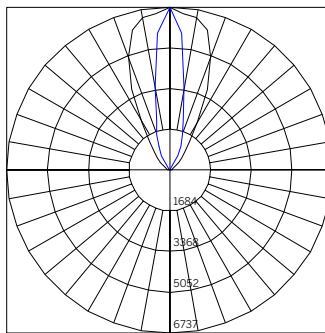
AR-RF-F-...-NSP Delivered Lumens - Narrow Spot			
CCT	Length [Wattage]		
	12 [15]	20 [22]	39 [44]
27	1013	1494	2847
30	1077	1590	3030
35	1077	1590	3030
40	1147	1692	3225
Polar Plot / Cone Of Light Multiplier			
	12 [15]	20 [22]	39 [44]
	0.36	0.52	1.00



Beam Angle (0-180) = 16.4
Beam Angle (90-270) = 46.2

CONE OF LIGHT - 39" 44W 3000K NARROW SPOT AR-RF-F-39-44-ID-30-NSP-...*		
Throw Distance [Ft]	Illuminance [Fc]	Beam Diameter [Ft]
20	24	5.8
18	30	5.2
16	38	4.6
14	49	4.0
12	67	3.5
10	96	2.9
8	150	2.3
6	267	1.7
4	600	1.2
2	2400	0.6

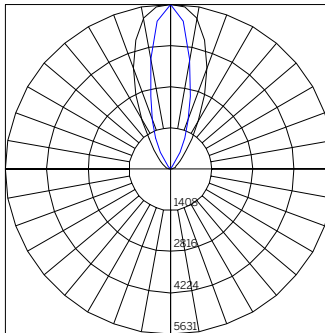
AR-RF-F-...-SP Delivered Lumens - Narrow Spot			
CCT	Length [Wattage]		
	12 [15]	20 [22]	39 [44]
27	1008	1507	3030
30	1071	1603	3223
35	1071	1603	3223
40	1141	1707	3430
Polar Plot / Cone Of Light Multiplier			
	12 [15]	20 [22]	39 [44]
	0.33	0.50	1.00



Beam Angle (0-180) = 20.8
Beam Angle (90-270) = 52.4

CONE OF LIGHT - 39" 44W 3000K SPOT AR-RF-F-39-44-ID-30-SP-...*		
Throw Distance [Ft]	Illuminance [Fc]	Beam Diameter [Ft]
20	17	7.3
18	21	6.6
16	26	5.9
14	34	5.1
12	47	4.4
10	67	3.7
8	105	2.9
6	187	2.2
4	421	1.5
2	1684	0.7

AR-RF-F-...-FL Delivered Lumens - Flood			
CCT	Length [Wattage]		
	12 [15]	20 [22]	39 [44]
27	929	1501	2913
30	987	1577	3098
35	987	1577	3098
40	1051	1680	3298
Polar Plot / Cone Of Light Multiplier			
	12 [15]	20 [22]	39 [44]
	0.32	0.51	1.00



Beam Angle (0-180) = 28.2
Beam Angle (90-270) = 59.8

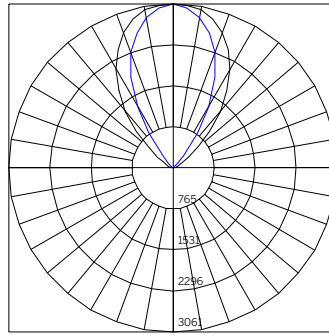
CONE OF LIGHT - 39" 44W 3000K FLOOD AR-RF-F-39-44-ID-30-FL-...*		
Throw Distance [Ft]	Illuminance [Fc]	Beam Diameter [Ft]
20	14	10.0
18	17	9.0
16	22	8.0
14	29	7.0
12	39	6.0
10	56	5.0
8	88	4.0
6	156	3.0
4	352	2.0
2	1408	1.0

*Polar Plot and Cone of Light are applicable to part number noted; use Multiplication Factor table to approximate other models or refer to online photometry.

Archiline Frameless

FIXED

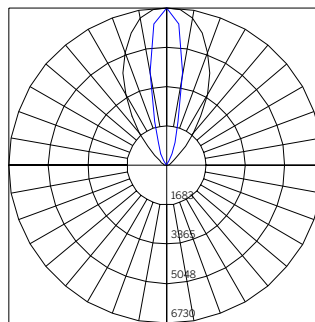
AR-RF-F-...-WFL Delivered Lumens - Wide Flood			
CCT	Length [Wattage]		
	12 [15]	20 [22]	39 [44]
27	1026	1540	3176
30	1091	1639	3378
35	1091	1639	3378
40	1162	1744	3596
Polar Plot / Cone Of Light Multiplier			
CCT	12 [15]	20 [22]	39 [44]
	0.32	0.49	1.00



Beam Angle (0-180) = 56.2
Beam Angle (90-270) = 76.0

CONE OF LIGHT - 39" 44W 3000K WIDE FLOOD AR-RF-F-39-44-ID-30-WFL-...*		
Throw Distance [Ft]	Illuminance [Fc]	Beam Diameter [Ft]
20	8	21.4
18	9	19.2
16	12	17.1
14	16	15.0
12	21	12.8
10	31	10.7
8	48	8.5
6	85	6.4
4	191	4.3
2	765	2.1

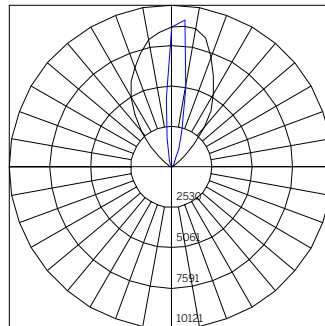
AR-RF-F-...-EL Delivered Lumens - Elliptic			
CCT	Length [Wattage]		
	12 [15]	20 [22]	39 [44]
27	961	1515	3024
30	1021	1610	3213
35	1021	1610	3213
40	1087	1714	3421
Polar Plot / Cone Of Light Multiplier			
CCT	12 [15]	20 [22]	39 [44]
	0.32	0.50	1.00



Beam Angle (0-180) = 23.2
Beam Angle (90-270) = 61.4

CONE OF LIGHT - 39" 44W 3000K ELLIPTIC AR-RF-F-39-44-ID-30-EL-...*		
Throw Distance [Ft]	Illuminance [Fc]	Beam Diameter [Ft]
20	17	8.2
18	21	7.4
16	26	6.6
14	34	5.7
12	47	4.9
10	67	4.1
8	105	3.3
6	187	2.5
4	421	1.6
2	1683	0.8

AR-RF-F-...-WW Delivered Lumens - Wall Wash			
CCT	Length [Wattage]		
	12 [15]	20 [22]	39 [44]
27	1116	1710	3463
30	1187	1799	3683
35	1187	1799	3683
40	1263	1915	3920
Polar Plot / Cone Of Light Multiplier			
CCT	12 [15]	20 [22]	39 [44]
	0.32	0.49	1.00



Beam Angle (0-180) = 19.8
Beam Angle (90-270) = 59.6

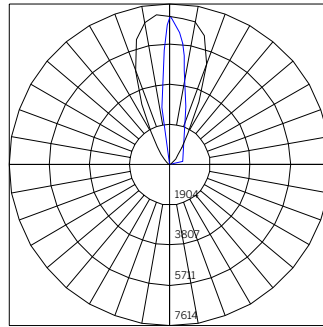
CONE OF LIGHT - 39" 44W 3000K WALL WASH AR-RF-F-39-44-ID-30-WW-...*		
Throw Distance [Ft]	Illuminance [Fc]	Beam Diameter [Ft]
20	25	7.0
18	31	6.3
16	40	5.6
14	52	4.9
12	70	4.2
10	101	3.5
8	158	2.8
6	281	2.1
4	633	1.4
2	2530	0.7

*Polar Plot and Cone of Light are applicable to part number noted; use Multiplication Factor table to approximate other models or refer to online photometry.

Archiline Frameless

DL DARKLIGHT

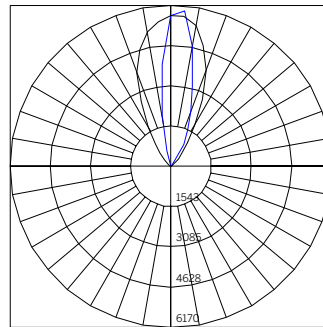
AR-RF-FDL-...-SP Delivered Lumens - Spot				
		Length [Wattage]		
		12 [15]	20 [22]	39 [44]
CCT	27	736	1217	2425
	30	783	1295	2578
	35	783	1295	2578
	40	832	1374	2736
Polar Plot / Cone Of Light Multiplier				
		15 [13]	20 [22]	39 [44]
		0.30	0.50	1.00



Beam Angle (0-180) = 24.9
Beam Angle (90-270) = 50.8

CONE OF LIGHT - 39" 44W 3000K SPOT AR-RF-FDL-39-44-ID-30-SP-...*		
Throw Distance [Ft]	Illuminance [Fc]	Beam Diameter [Ft]
20	19	8.8
18	24	7.9
16	30	7.1
14	39	6.2
12	53	5.3
10	76	4.4
8	119	3.5
6	212	2.6
4	476	1.8
2	1904	0.9

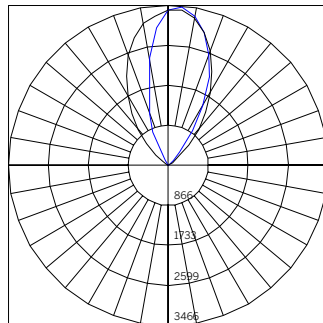
AR-RF-FDL-...-FL Delivered Lumens - Flood				
		Length [Wattage]		
		12 [15]	20 [22]	39 [44]
CCT	27	660	1140	2357
	30	702	1214	2509
	35	702	1214	2509
	40	746	1288	2663
Polar Plot / Cone Of Light Multiplier				
		15 [13]	20 [22]	39 [44]
		0.28	0.48	1.00



Beam Angle (0-180) = 33.0
Beam Angle (90-270) = 49.4

CONE OF LIGHT - 39" 44W 3000K FLOOD AR-RF-FDL-39-44-ID-30-FL-...*		
Throw Distance [Ft]	Illuminance [Fc]	Beam Diameter [Ft]
20	15	11.8
18	19	10.7
16	24	9.5
14	31	8.3
12	43	7.1
10	62	5.9
8	96	4.7
6	171	3.6
4	386	2.4
2	1543	1.2

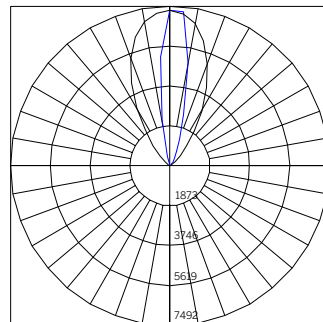
AR-RF-FDL-...-WFL Delivered Lumens - Wide Flood				
		Length [Wattage]		
		12 [15]	20 [22]	39 [44]
CCT	27	796	1352	2446
	30	845	1439	2603
	35	845	1439	2603
	40	897	1527	2762
Polar Plot / Cone Of Light Multiplier				
		15 [13]	20 [22]	39 [44]
		0.32	0.55	1.00



Beam Angle (0-180) = 57.0
Beam Angle (90-270) = 63.4

CONE OF LIGHT - 39" 44W 3000K WIDE FLOOD AR-RF-FDL-39-44-ID-30-WFL-...*		
Throw Distance [Ft]	Illuminance [Fc]	Beam Diameter [Ft]
20	9	21.7
18	11	19.5
16	14	17.4
14	18	15.2
12	24	13.0
10	35	10.9
8	54	8.7
6	96	6.5
4	217	4.3
2	867	2.2

AR-RF-FDL-...-EL Delivered Lumens - Elliptic				
		Length [Wattage]		
		12 [15]	20 [22]	39 [44]
CCT	27	759	1336	2611
	30	807	1421	2777
	35	807	1421	2777
	40	857	1508	2948
Polar Plot / Cone Of Light Multiplier				
		15 [13]	20 [22]	39 [44]
		0.29	0.51	1.00



Beam Angle (0-180) = 25.4
Beam Angle (90-270) = 54.4

CONE OF LIGHT - 39" 44W 3000K ELLIPTIC AR-RF-FDL-39-44-ID-30-EL-...*		
Throw Distance [Ft]	Illuminance [Fc]	Beam Diameter [Ft]
20	19	9.0
18	23	8.1
16	29	7.2
14	38	6.3
12	52	5.4
10	75	4.5
8	117	3.6
6	208	2.7
4	468	1.8
2	1873	0.9

*Polar Plot and Cone of Light are applicable to part number noted; use Multiplication Factor table to approximate other models or refer to online photometry.