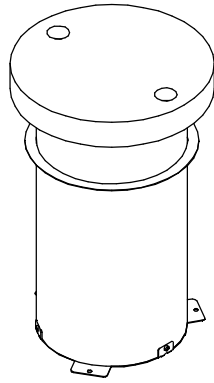
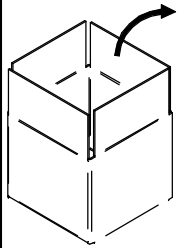
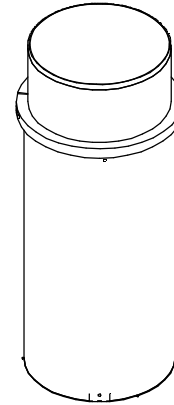


**SUELO TELESCOPIC****OUTER CASING  
E99747****SUELO TELESCOPIC  
E81475  
E81476****WARNING**

INSTALL PRODUCT IN ACCORDANCE WITH LOCAL AND NATIONAL ELECTRICAL CODES BY A QUALIFIED ELECTRICIAN

**WARNING**

FAILURE TO COMPLY WITH THE INSTALLATION INSTRUCTIONS MAY RESULT IN DEATH OR SERIOUS INJURY.

**WARNING**

READ ALL SAFETY INSTRUCTIONS INCLUDED WITH LUMINAIRE BEFORE INSTALLING LUMINAIRE. SAVE INSTRUCTIONS FOR FUTURE USE.

**CAUTION**

THIS IS AN ELECTRIC DEVICE. CARE MUST BE TAKEN DURING STORAGE AND HANDLING. STORE IN A CLEAN, COOL AND DRY LOCATION. ELECTROSTATIC DISCHARGE (ESD) CAN HARM THIS PRODUCT. AVOID STATIC DISCHARGE WHILE HANDLING THIS PRODUCT.

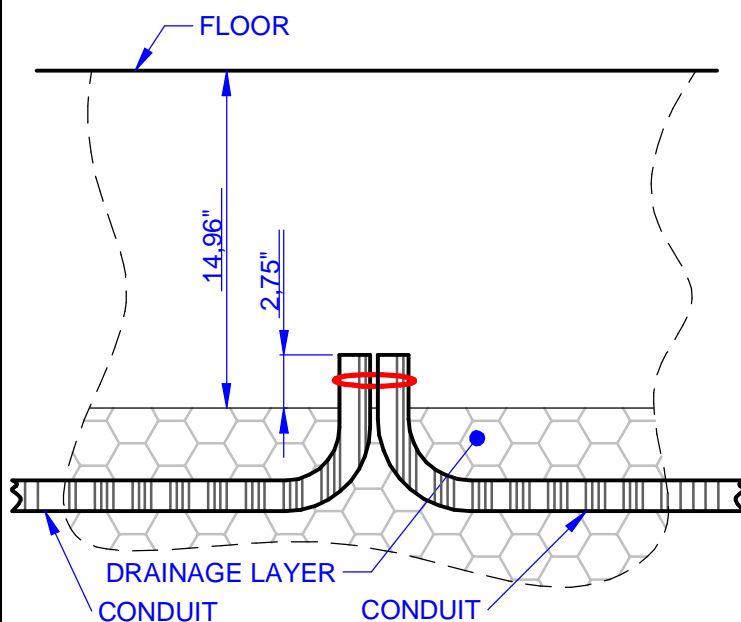
**CAUTION**

INTER-LUX IS NOT RESPONSIBLE FOR THE STRUCTURAL INTEGRITY OF THE BUILDING TO SUPPORT THE LUMINAIRE. ADDITIONAL BACKING MAY BE REQUIRED.

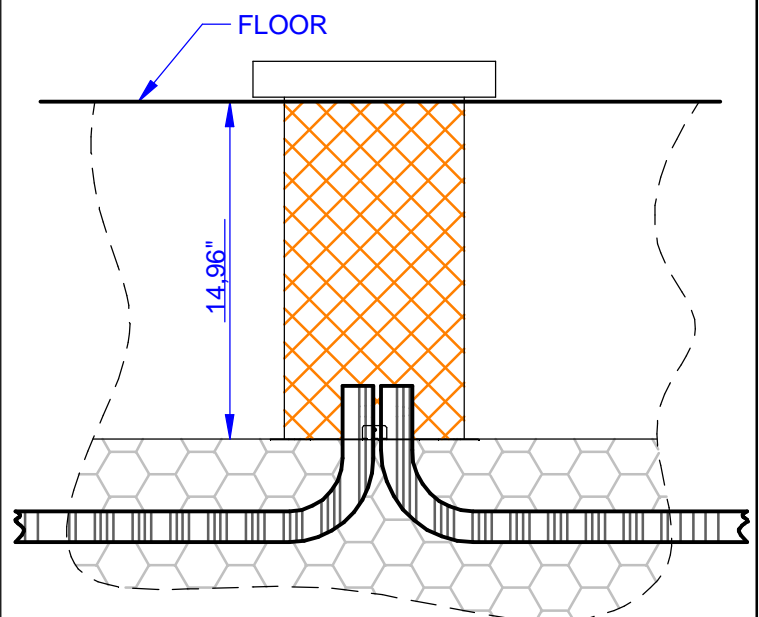
LOCATE AND REVIEW ANY CONSTRUCTION PLANS AND INTER-LUX RECORD DRAWINGS FOR ALL FIXTURE RUNS. IT IS RECOMMENDED TO LOCATE AND LAY OUT ALL COMPONENTS FOR EACH FIXTURE "RUN". A FIXTURE RUN TYPICALLY CONSISTS OF JOINTERS, LENGTHS OF HOUSING, AND ENDCAPS. BE SURE TO IDENTIFY ALL CORRECT LENGTHS FOR EACH FIXTURE RUN.

**OUTER CASING INSTALLATION INSTRUCTIONS**

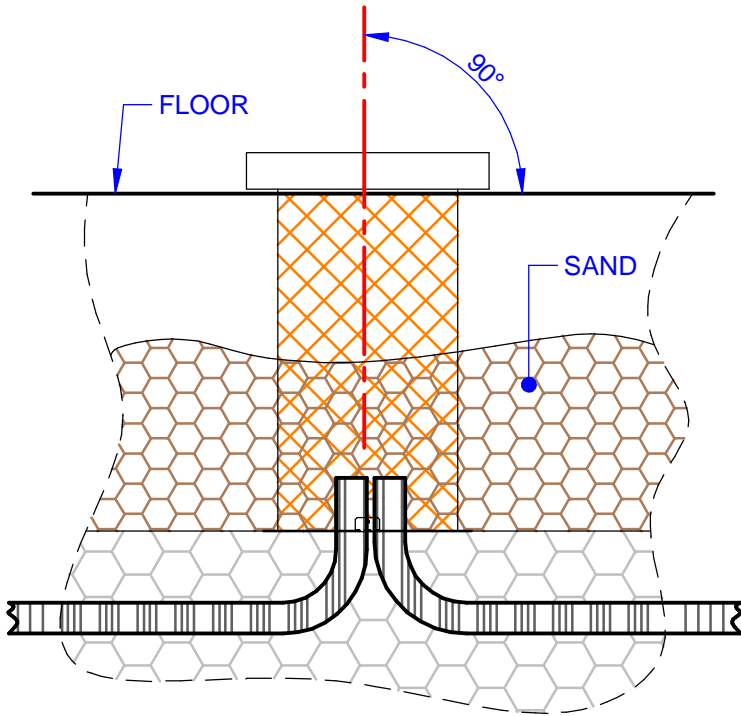
1) Place conduits and drainage layer.



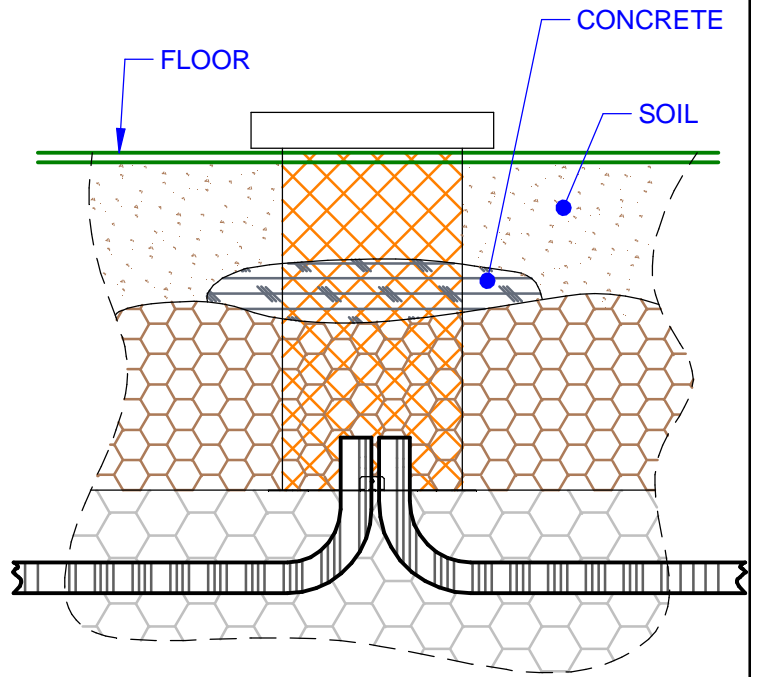
2) Place the outer casing and ensure the conduits fits into the two holes on the casing base.



3) Stabilize the outer casing with sand and ensure it is perpendicular to the floor.

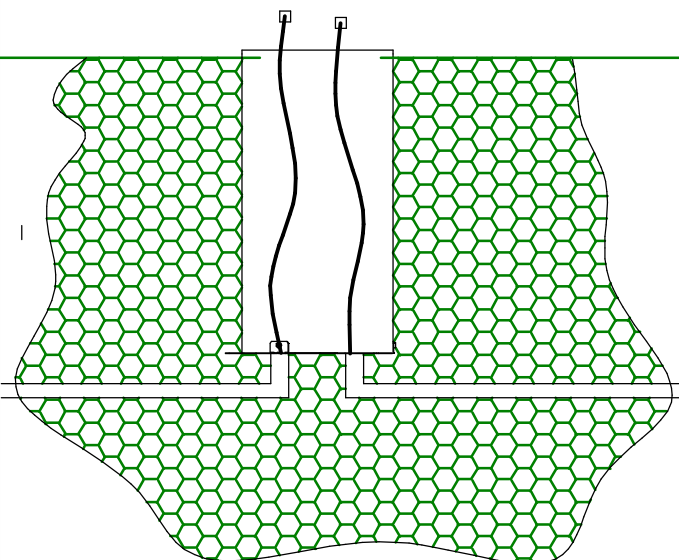


4) Finish the flooring if necessary. The polystyrene template must remain completely exposed.

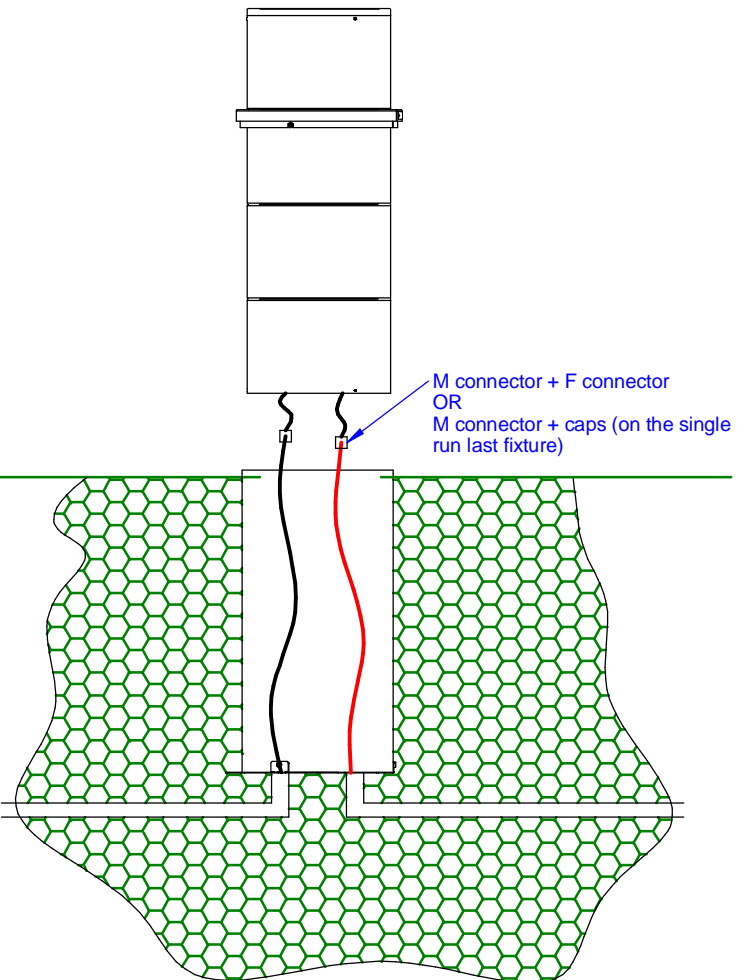


## SUELO TELESCOPIC INSTALLATION INSTRUCTIONS

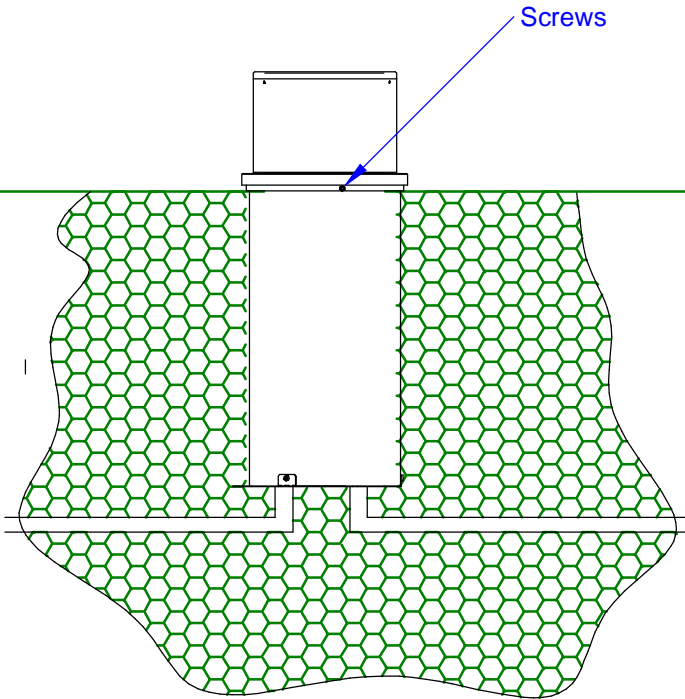
1) Once the outer casing is installed, make the wiring on the connectors as shown on page 4. If a single fixture wiring is needed, wire the IN connector only.



2) Connect the cables to the fixture. If a single fixture wiring is required, or on the last fixture of a run, the red highlighted cable is unnecessary. Keep the cap inserted on the OUT connector on the fixture.



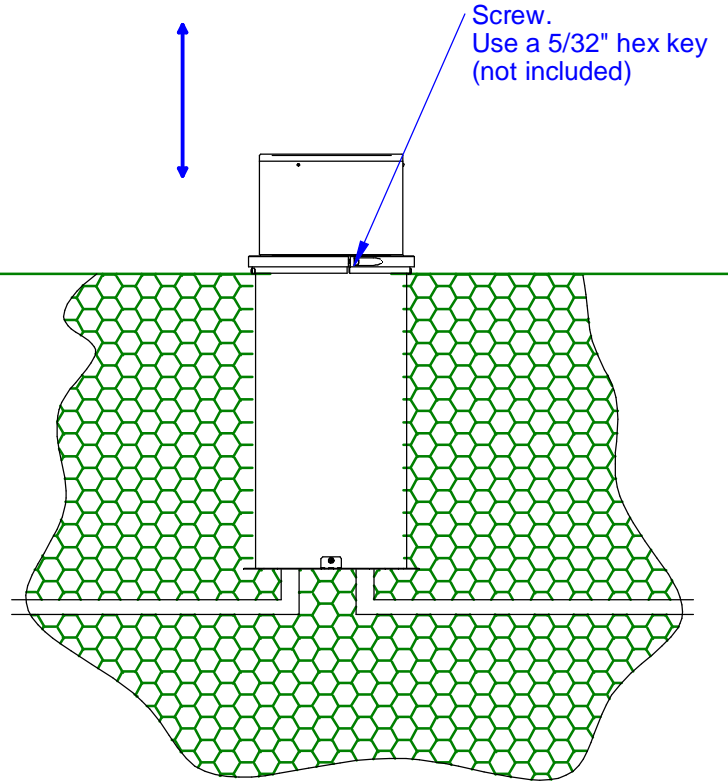
3) Insert the fixture into the outer casing and tighten the two screws using a 7/64" hex key (not included).



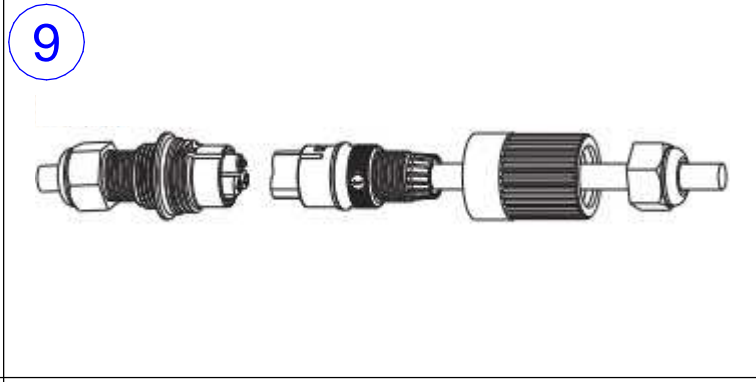
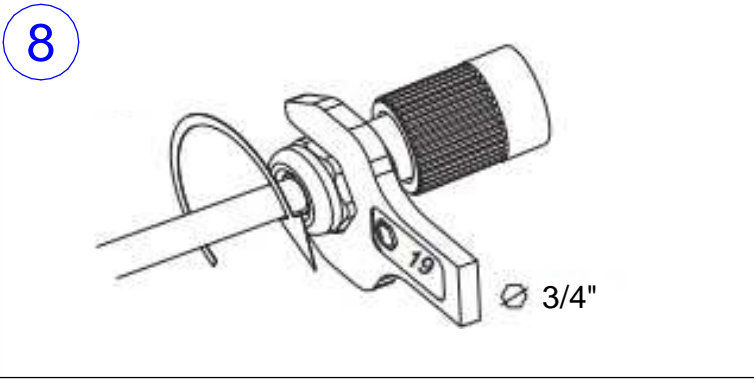
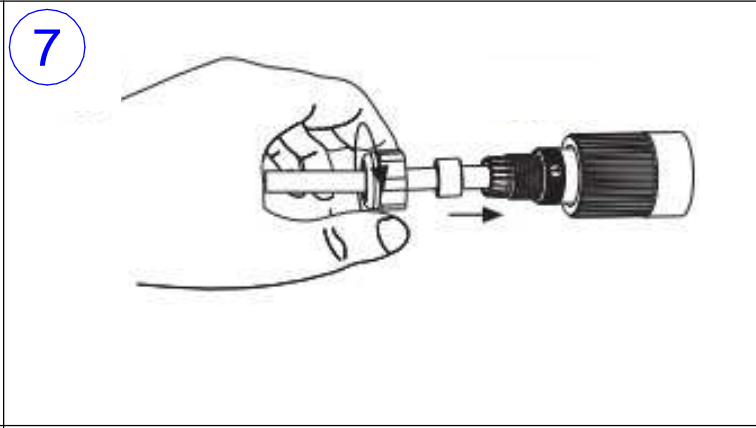
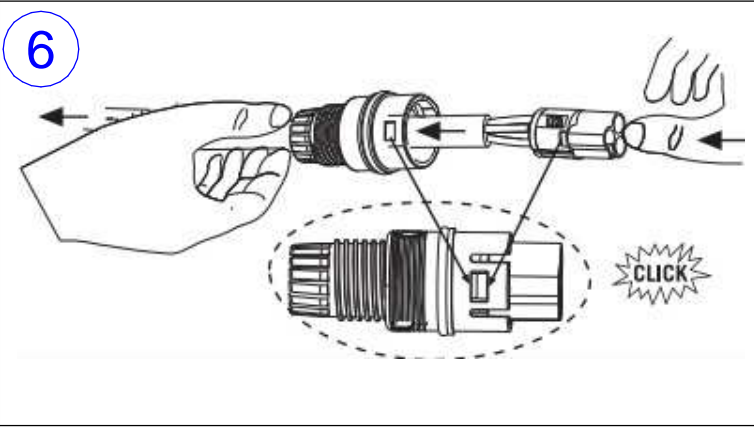
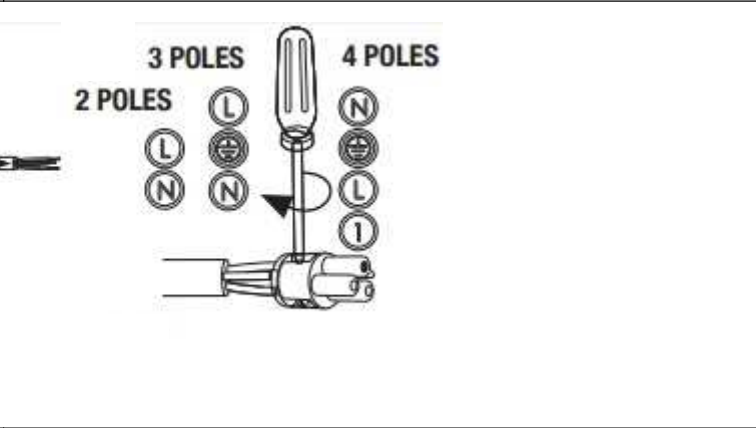
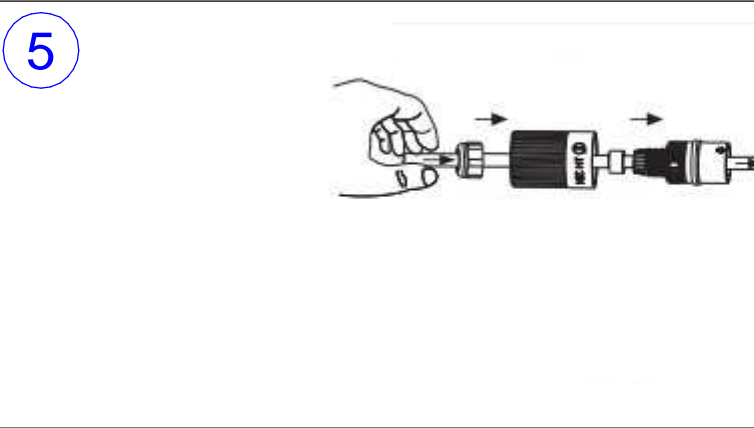
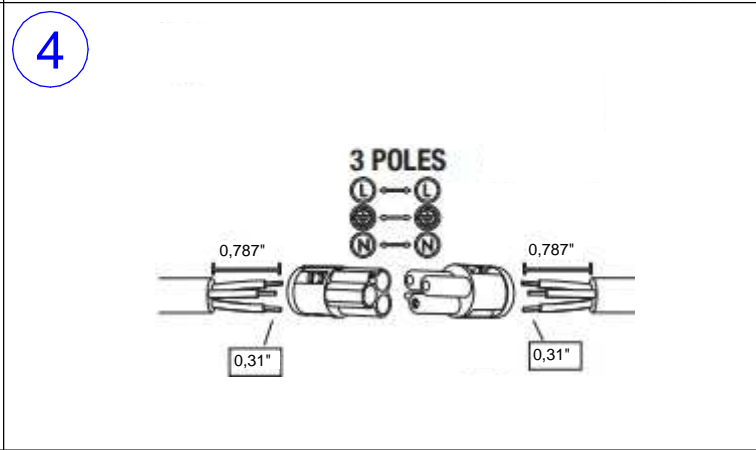
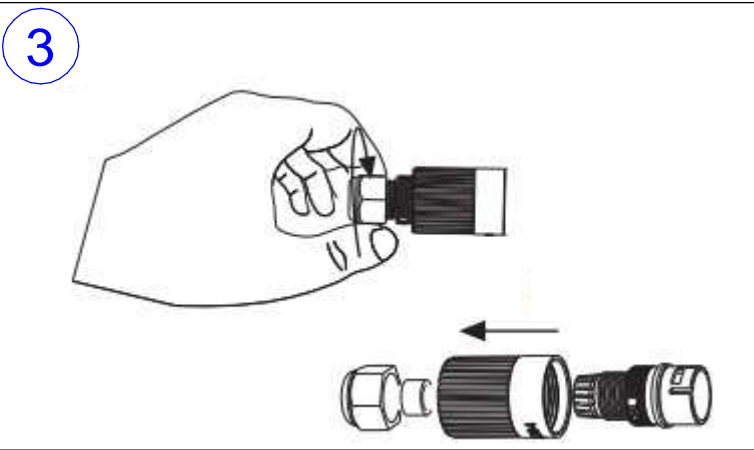
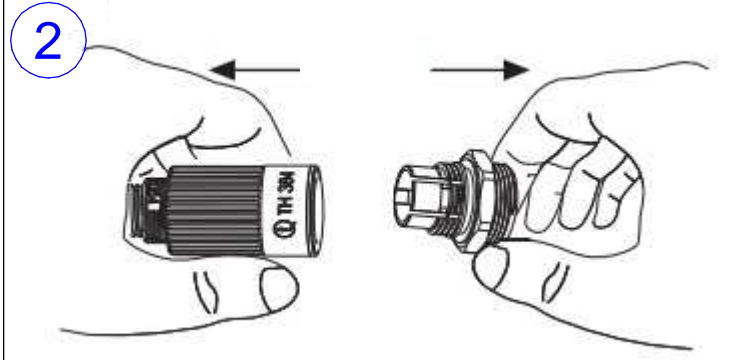
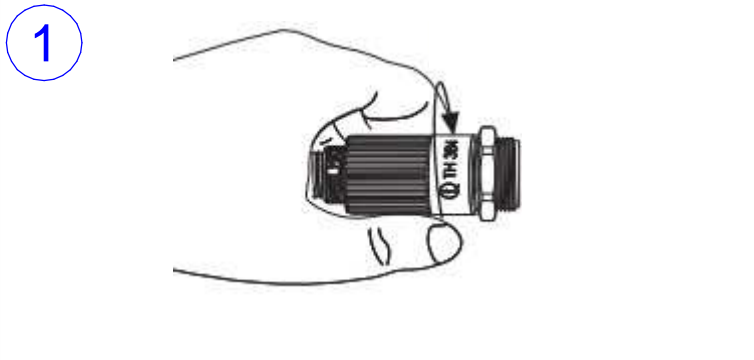
4) Slightly loosen the screw to adjust fixture height. Once set the desired height, tighten the screw.

Min height: 5"

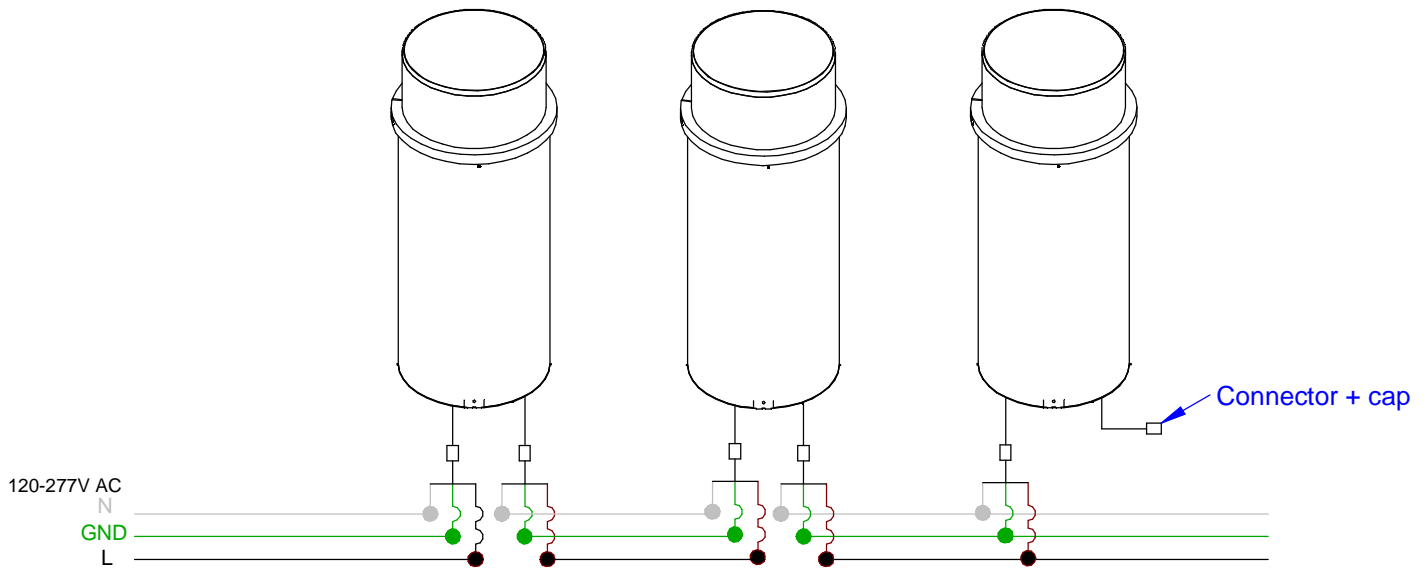
Max height: 18"



**CONNECTORS FOR CABLE REEL:** 20 AWG min - 12 max AWG  
O.D. CABLE 0,275" min - 0,47" max



## WIRING DIAGRAM



The connector with inserted cap is the feed-thru out. Cap have not to be removed in the last fixture of the run.

THIS PRODUCT MUST BE INSTALLED IN ACCORDANCE WITH THE APPLICABLE INSTALLATION CODE BY A PERSON FAMILIAR WITH THE CONSTRUCTION AND OPERATION OF THE PRODUCT AND THE HAZARDS INVOLVED

## MOUNTING INSTRUCTIONS

READ ALL OF THESE INSTRUCTIONS BEFORE INSTALLING FIXTURES

- CAUTION: USE ONLY WITH CLASS 2 POWER UNIT
- Keep all of the instructions for future reference
- Turn off power before installing fixture
- Installation is to be performed by a qualified electrician only
- All installations must conform to the National Electrical Code as well as all local jurisdictional codes and regulations
- Any modification of the luminaire will void any and all written or implied warranties
- The manufacture accepts no responsibility for damage to persons or property arising through improper use or installation

## INSTALLATION SEQUENCE

- Cut correct size opening in ceiling
- Mount remote driver in accessible well ventilated space
- Ensure power is off before connecting driver to line voltage
- Connect secondary wiring to fixture wiring
- Press the springs and insert the article into the ceiling opening
- WARNING: Be sure secondary wiring is connected to driver BEFORE energizing to avoid LED failure
- Energize

<b>Mains Cable Colours</b>	<b>Pole</b>
Black wire	L
White wire	N
Green wire	Earth