

# 4" ProTools Adjustable Round Recessed



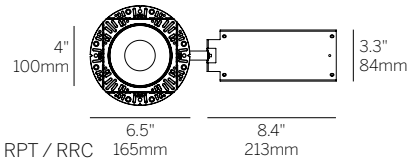
RPT / RRC / MPL



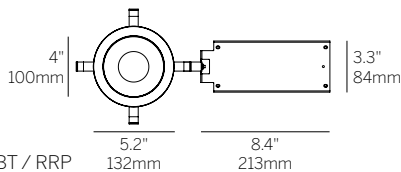
RBT / RRP / RSC



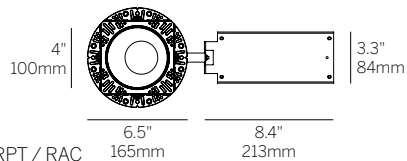
RPT / RAC / MPL



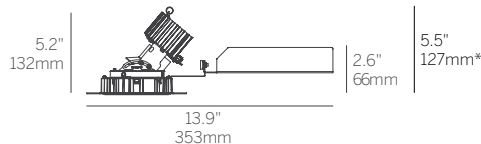
RPT / RRC



RBT / RRP



RPT / RAC



\*Minimum of 5.5" (127mm) ceiling void is required to install the integral driver from below the ceiling.  
Cut Out: Ø 4.75" / 121mm

## Ordering Information

Model	Fixation	Power <sup>1</sup>	CRI	CCT <sup>2</sup>	Driver <sup>3</sup>	Cover	Lens	Beam	Trim Finish	Cover Finish	Housing <sup>4</sup>	Options
WG-100RPTDLX	RPT	L	92	27	S010	RRC	OA	16	W	W	LP	SOL
	RBT	M	98	30	D010	RRP	MPL	32	B	B	NC	LSL
		H		35	SPH	RAC	RSC	41	S	S	IC	HL
		XH		40	PEQ0			8	F	F	CP	TC
		TW	92	TW	D2S			18-36			X	MLC
		WD	95	WD	D2T							AS
												ASL
												EM

### Luminaire

- Part of a complete family of 4" aperture matching downlights.
- 4" (100mm) round aperture adjustable downlight for general and accent illumination. Available with round recessed cone, regressed pinhole or asymmetric cone with 0.5" regressed 2" round light aperture.
- Tilt 40°, rotation 365°, 144 step.
- Efficacy up to 76 lumens per watt (delivered).
- UGR < 19 for some configurations to comply with WELL requirements.
- Cree 2-step McAdam LEDs.
- CRI >92+ standard, 98+ optional.
- L70 (TM21 Projected 85C) Static White 55,400 hours, TW + WD 55,000 hours, 8° (Narrow) = 109,000 hours.
- ETL and ETL-C for dry and damp location standard, Wet location optional.
- Luminaire and driver installed and maintained from below the ceiling. Maximum ceiling thickness 1".
- Housings available (see housings page).
- Multiple luminaire configurations for plaster trim (see detail page).
- 5-year warranty.

### Fixation

- RPT = Recessed Plaster Trim
- RBT = Recessed Bezel Trim

### Power<sup>1</sup>

- L = Low Power, 5.7W @ 350mA (3.9W for 8° Narrow)
- M = Mid Power, 8.4W @ 500mA (5.8W for 8° Narrow)
- H = High Power, 12W @ 700mA (8.3W for 8° Narrow)
- XH = Extra High Power, 18.6W @ 1050mA (13.1W for 8° Narrow)
- TW = 9W @ 500mA
- WD = 0.4 - 11.8W @ 350mA

### CRI

- 92 = 92 CRI (Static White, TW only)
- 98 = 98 CRI (Static White)
- 95 = 95 CRI (WD only)

### CCT<sup>2</sup>

- 27 = 2700K
- 30 = 3000K
- 35 = 3500K
- 40 = 4000K
- TW = Tunable White 1800 - 4000K
- WD = Warm Dimming 1800 - 3000K

<sup>1</sup> Wattage shown does not include power supplies/drivers.

<sup>2</sup> See photometric data sheet for delivered lumens.

<sup>3</sup> See driver information for details.

<sup>4</sup> See housings pages for details.

### Driver<sup>3</sup>

- S010 = eldoLED 0-10V 1% dimming, 120-277V (30W)
- D010 = eldoLED 0-10V 0.1% dimming, 120-277V (30W)
- SPH = Phase (2-wire) 3% dimming, 120V only (20W) [n/a for XH power]
- PEQ0 = Lutron Hi-Lume Premier 0.1% EcoSystem dimming, 120-277V (20W)
- D2S = DALI-2 for Static White 0.1% dimming, 120-277V (30W)
- D2T = DALI-2 (DT8) for Tunable White 0.1% dimming, 120-277V (30W)

### Cover

- RRC = Round Recessed Cone
- RRP = Round Regressed Pinhole
- RAC = Round Asymmetric Cone

### Lens

- OA = Open Aperture
- MPL = Micro-prismatic Lens
- RSC = Recessed Satin Clear Lens

### Beam

- 16 = 16° Beam Angle
- 32 = 32° Beam Angle
- 41 = 41° Beam Angle
- 8 = 8° Beam Angle (Narrow) (TIR Optic) (N/A for TW / WD)
- 18-36 = 18-36° Beam Angle (Zoom) (TIR Optic) (OA only) (N/A for TW / WD)

### Trim / Cover Finish

- W = White, 15% gloss, RAL 9003 (standard)
- B = Black, 15% gloss, RAL 9005
- S = Silver, 15% gloss, RAL 9006
- F = Custom finish, specify RAL code

### Housing (optional)<sup>4</sup>

- LP = Landing Pan
- NC = New Construction Housing
- IC = Insulated Ceiling Housing
- CP = Chicago Plenum Housing
- X = No Housing

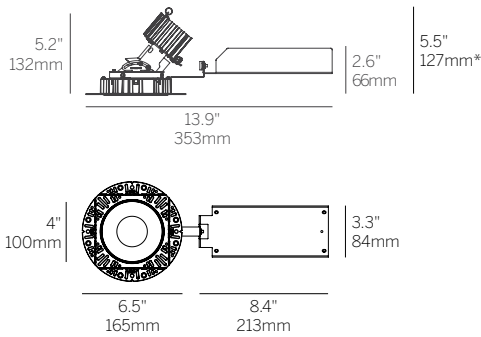
### Options

- SOL = Solite Lens
- LSL = Linear Spread Lens
- HL = Honeycomb Louver
- TC = Thick Ceiling Clip (see detail page)
- MLC = Multiple luminaire configurations (see detail page)
- AS = Aim stick
- ASL = Aim Stick w/ Laser
- EM = Emergency (remote only)

# 4" ProTools Adjustable Round Recessed

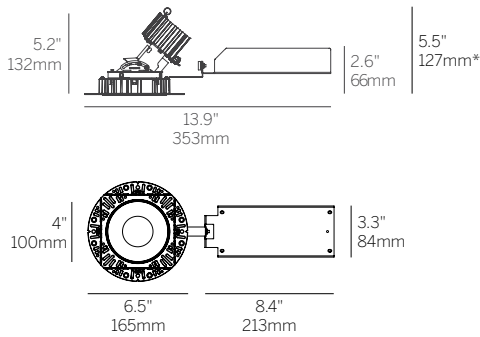
## Round Recessed Cone (RRC)

Recessed Plaster Trim (RPT)



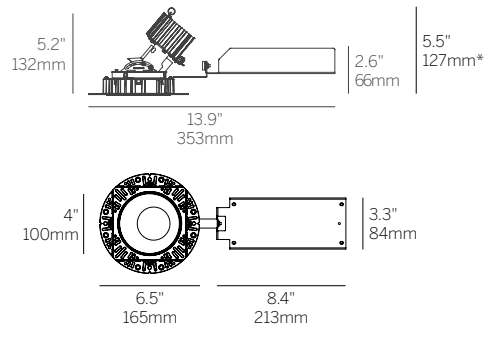
## Round Regressed Pinhole (RRP)

Recessed Plaster Trim (RPT)

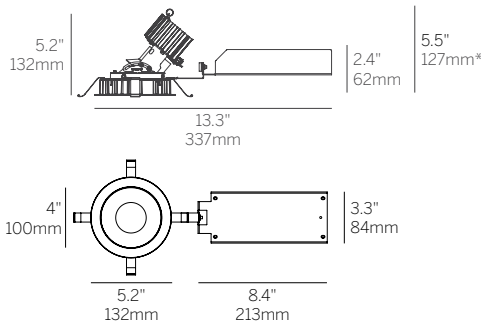


## Round Asymmetric Cone (RAC)

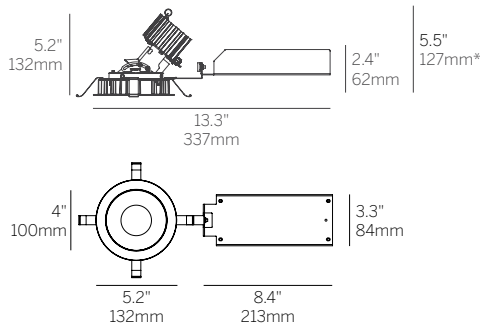
Recessed Plaster Trim (RPT)



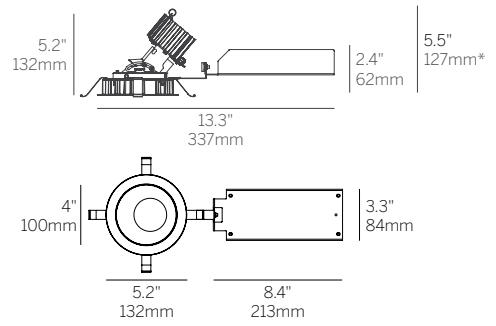
Recessed Bezel Trim (RBT)



Recessed Bezel Trim (RBT)



Recessed Bezel Trim (RBT)



\*Minimum of 5.5" (127mm) ceiling void is required to install the integral driver from below the ceiling.

Cut Out: Ø 4.75" / 121mm