

4" ProTools Downlight

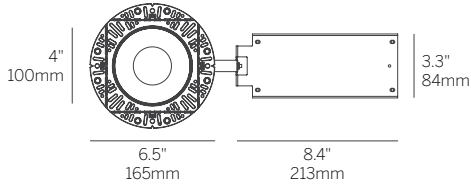
Round Recessed



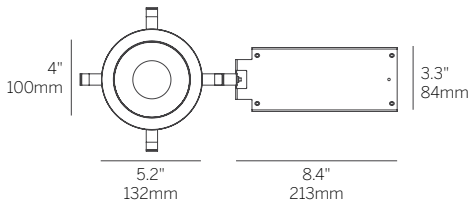
RPT / RRC / MPL



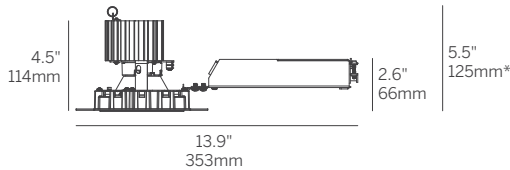
RBT / RRP / RSC



RPT / RRC



RBT / RRP



*Minimum of 5.5" (127mm) ceiling void is required to install the integral driver from below the ceiling.

Cut Out: Ø 4.75" / 121mm

Ordering Information

Model	Fixation	Power ¹	CRI	CCT ²	Driver ³	Cover	Lens	Beam	Trim Finish	Cover Finish	Housing ⁴	Options
WG-100RPTDLF												
WG-100RPTDLF	RPT RBT	L M H XH TW WD	92 98	27 30 35 40 TW WD	S010 D010 SPH PEQO D2S D2T	RRC RRP	OA MPL RSC	16 32 41 65	W B S F	W B S F	LP NC IC CP X	WL TC MLC EM

Luminaire

- Part of a complete family of 4" aperture matching downlights.
- 4" (100mm) round aperture downlight for general illumination. Available with round recessed cone or regressed pinhole with 0.5" regressed 2" round light aperture.
- Efficacy up to 67 lumens per watt (delivered).
- UGR < 19 for some configurations to comply with WELL requirements.
- Cree 2-step McAdam LEDs.
- CRI >92+ standard. 98+ optional.
- L70 (TM21 Projected 85C) Static White 55,400 hours, TW + WD 55,000 hours.
- ETL and ETL-C for dry and damp location standard, Wet location optional.
- Luminaire and driver installed and maintained from below the ceiling. Maximum ceiling thickness 1".
- Housings available (see housings page).
- Multiple luminaire configurations for plaster trim (see detail page).
- 5-year warranty.

Fixation

- RPT = Recessed Plaster Trim
- RBT = Recessed Bezel Trim

Power¹

- L = Low Power, 5.7W @ 350mA
- M = Mid Power, 8.4W @ 500mA
- H = High Power, 12W @ 700mA
- XH = Extra High Power, 17.8W @ 1050mA
- TW = 9W @ 500mA
- WD = 0.4 - 11.8W @ 350mA

CRI

- 92 = 92 CRI (Static White, TW only)
- 98 = 98 CRI (Static White)
- 95 = 95 CRI (WD only)

CCT²

- 27 = 2700K
- 30 = 3000K
- 35 = 3500K
- 40 = 4000K
- TW = Tunable White 1800 - 4000K
- WD = Warm Dimming 1800 - 3000K

¹ Wattage shown does not include power supplies/drivers.

² See photometric data sheet for delivered lumens.

³ See driver information for details.

⁴ See housings pages for details.

Driver³

- S010 = eldoLED 0-10V 1% dimming, 120-277V (30W)
- D010 = eldoLED 0-10V 0.1% dimming, 120-277V (30W)
- SPH = Phase (2-wire) 3% dimming, 120V only (20W) [n/a for XH power]
- PEQO = Lutron Hi-Lume Premier 0.1% EcoSystem dimming, 120-277V (20W)
- D2S = DALI-2 for Static White 0.1% dimming, 120-277V (30W)
- D2T = DALI-2 (DT8) for Tunable White 0.1% dimming, 120-277V (30W)

Cover

- RRC = Round Recessed Cone
- RRP = Round Regressed Pinhole

Lens

- OA = Open Aperture
- MPL = Micro-prismatic Lens
- RSC = Recessed Satin Clear Lens

Beam

- 16 = 16° Beam Angle
- 32 = 32° Beam Angle
- 41 = 41° Beam Angle
- 65 = 65° Beam Angle

Trim / Cover Finish

- W = White, 15% gloss, RAL 9003 (standard)
- B = Black, 15% gloss, RAL 9005
- S = Silver, 15% gloss, RAL 9006
- F = Custom finish, specify RAL code

Housing (optional)⁴

- LP = Landing Pan
- NC = New Construction Housing
- IC = Insulated Ceiling Housing
- CP = Chicago Plenum Housing
- X = No Housing

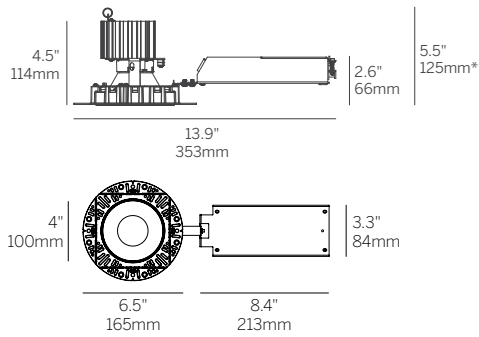
Options

- WL = Wet Location (RRC only)
- TC = Thick Ceiling Clip (see detail page)
- WC = Wood Ceiling Adapter (specify ceiling thickness)
- MLC = Multiple luminaire configurations (see detail page)
- EM = Emergency (remote only)

4" ProTools Downlight Round Recessed

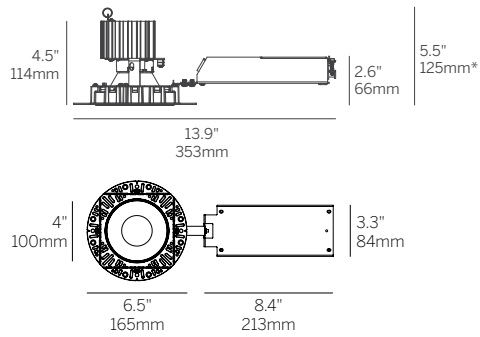
Round Recessed Cone (RRC)

Recessed Plaster Trim (RPT)

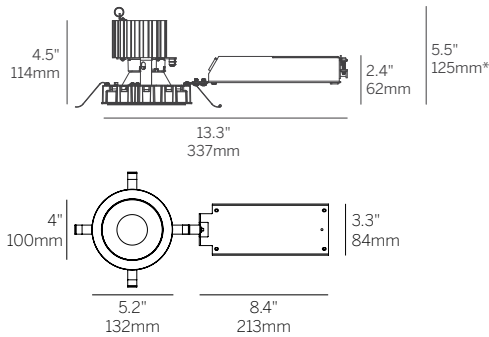


Round Regressed Pinhole (RRP)

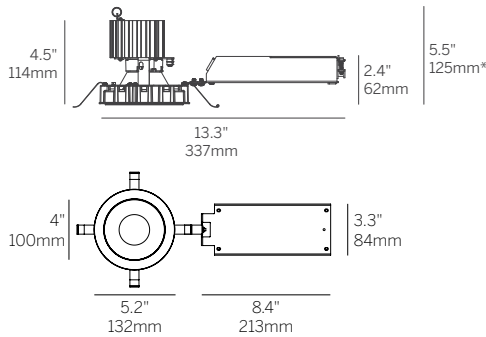
Recessed Plaster Trim (RPT)



Recessed Bezel Trim (RBT)



Recessed Bezel Trim (RBT)



*Minimum of 5.5" (127mm) ceiling void is required to install the integral driver from below the ceiling.

Cut Out: Ø 4.75" / 121mm