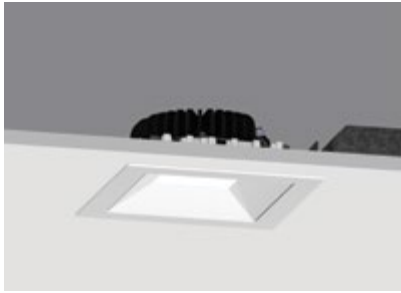


4" ProTools Downlight (Shallow)

Square Recessed



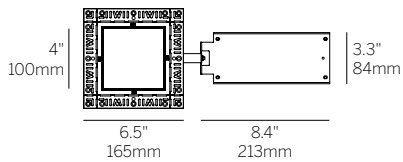
RPT / SFD / SOD



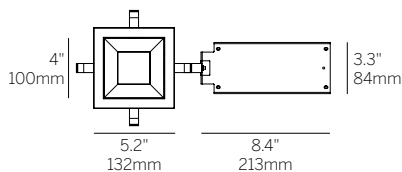
RBT / SRC / RSC



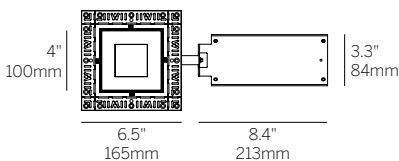
RPT / SRP / RSC



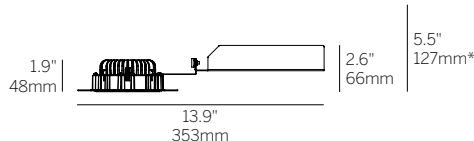
RPT / SFD



RBT / SRC



RPT / SRP



Ordering Information

| Model | Fixation | Power ¹ | CRI | CCT ² | Driver ³ | Cover | Lens | Beam | Trim Finish | Cover Finish | Housing ⁴ | Options |
|------------|------------|--------------------|-----|----------------------|------------------------------------|-------------------|------------|------------|------------------|------------------|---------------------------|-----------------------------|
| WG-100SPTD | | | 92 | | | | | | | | | |
| WG-100SPTD | RPT RBT | L M H | 92 | 27 30 35 40 | S010 D010 SPH PEQ0 D2S | SFD SRC SRP | SOD RSC | LAM 110 | W B S F | W B S F | LP NC IC CP X | WL TC WC MLC EM |

Luminaire

- Part of a complete family of 4" aperture matching downlights.
- 4" (100mm) square aperture downlight for wide distribution general illumination. Available with square recessed cone or regressed pinhole with 0.5" regressed 2" square light aperture or high transmission, evenly illuminated flush full aperture diffuser.
- Efficacy up to 77 lumens per watt (delivered).
- CREE 3-step McAdam LEDs.
- CRI >92+ standard.
- L70 (TM21 Projected 85° C) Static White = 102,000 hours.
- ETL and ETL-C for dry and damp location standard, Wet location optional.
- Luminaire and driver installed and maintained from below the ceiling. Maximum ceiling thickness 1".
- Housings available (see housings page).
- Multiple luminaire configurations for plaster trim (see detail page).
- 5-year warranty.

Fixation

- RPT = Recessed Plaster Trim
- RBT = Recessed Bezel Trim

Power¹

- L = Low Power, 11W @ 350mA
- M = Mid Power, 15W @ 500mA
- H = High Power, 22.5W @ 700mA

CRI

- 92 = 92+ CRI

CCT²

- 27 = 2700K
- 30 = 3000K
- 35 = 3500K
- 40 = 4000K

¹ Wattage shown does not include power supplies/drivers.

² See photometric data sheet for delivered lumens.

³ See driver information for details.

⁴ See housings pages for details.

* Minimum of 5.5" (127mm) ceiling void is required to install the integral driver from below the ceiling.

Cut Out: \square 4.75" / 121mm

Driver³

- S010 = eldoLED 0-10V 1% dimming, 120-277V (30W)
- D010 = eldoLED 0-10V 0.1% dimming, 120-277V (30W)
- SPH = Phase (2-wire) 3% dimming, 120V only (20W) [N/A for H power]
- PEQ0 = Lutron Hi-Lume Premier 0.1% EcoSystem dimming, 120-277V (20W) [N/A for High Power]
- D2S = DALI-2 for Static White 0.1% dimming, 120-277V (30W)

Cover

- SFD = Square Flush Diffuser
- SRC = Square Recessed Cone
- SRP = Square Regressed Pinhole

Lens

- SOD = Satin Opal Diffuser
- RSC = Recessed Satin Clear Lens

Beam

- LAM = Lambertian
- 110 = 110° Beam Angle

Trim / Cover Finish (Cover N/A for SFD)

- W = White, 15% gloss, RAL 9003 (standard)
- B = Black, 15% gloss, RAL 9005
- S = Silver, 15% gloss, RAL 9006
- F = Custom finish, specify RAL code

Housing (optional)⁴

- LP = Landing Pan
- NC = New Construction Housing
- IC = Insulated Ceiling Housing
- CP = Chicago Plenum Housing
- X = No Housing

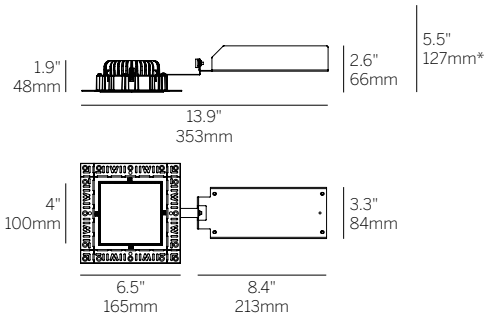
Options

- WL = Wet Location (SRC only)
- TC = Thick Ceiling Clip (see detail page)
- WC = Wood Ceiling Adapter (RPT only - specify ceiling thickness)
- MLC = Multiple luminaire configurations (see detail page)
- EM = Emergency (remote only)

4" ProTools Downlight (Shallow) Square Recessed

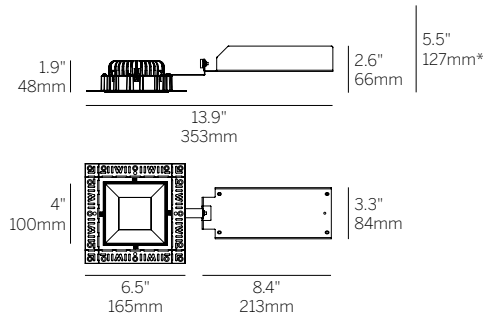
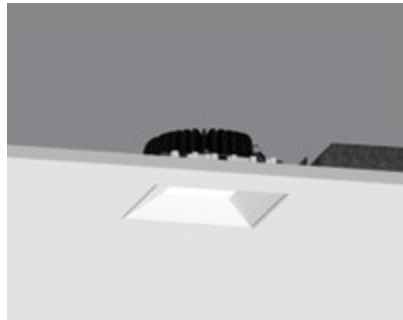
Square Flush Diffuser (SFD)

Recessed Plaster Trim (RPT)



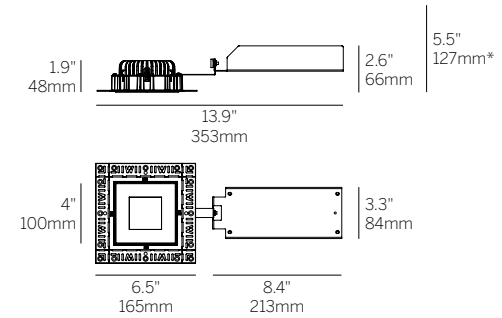
Square Recessed Cone (SRC)

Recessed Plaster Trim (RPT)

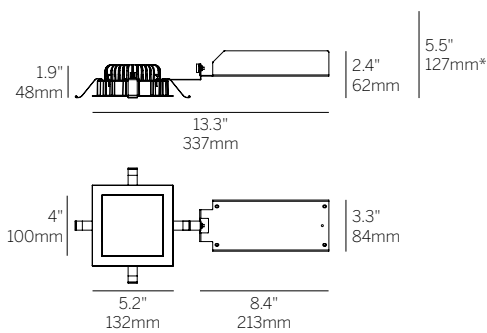


Square Regressed Pinhole (SRP)

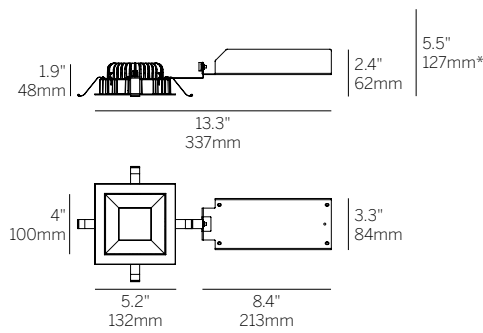
Recessed Plaster Trim (RPT)



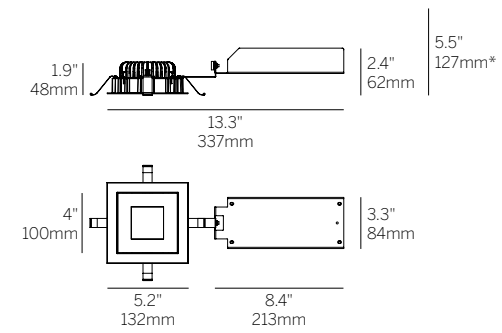
Recessed Bezel Trim (RBT)



Recessed Bezel Trim (RBT)



Recessed Bezel Trim (RBT)



*Minimum of 5.5" (127mm) ceiling void is required to install the integral driver from below the ceiling.

Cut Out: \varnothing 4.75" / 121mm