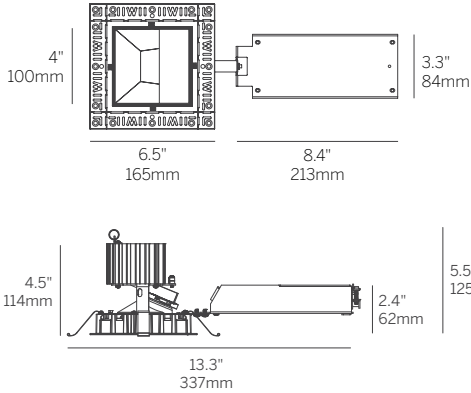
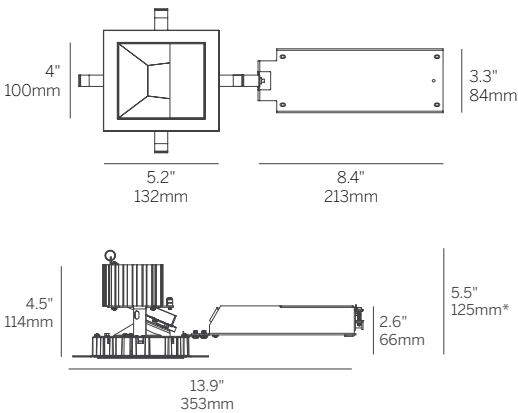


4" ProTools Wall Wash Square Recessed

RPT



RBT



*Minimum of 5.5" (127mm) ceiling void is required to install the integral driver from below the ceiling.

Cut Out: \varnothing 4.75" / 121mm

Ordering Information

Model	Fixation	Power ¹	CRI	CCT ²	Driver ³	Cover	Lens	Beam	Trim Finish	Cover Finish	Housing ⁴	Options
WG-100SPTDLWW	RPT RBT	L M H XH TW WD	92 98	27 30 35 40 TW WD	S010 D010 SPH PEQO D2S D2T	SWW	WWL	WW	W S F	W S F	LP NC IC CP X	WL TC MLC EM

Luminaire

- Part of a complete family of 4" aperture matching downlights.
- 4" (100mm) square recessed wall washer with rectangular regressed light aperture and flush kick reflector.
- Efficacy up to 49 lumens per watt (delivered).
- CREE 2-step McAdam LEDs.
- CRI >92+ standard, 98+ optional.
- L70 (TM21 Projected 85C) Static White 55,400 hours, TW + WD 55,000 hours.
- ETL and ETL-C for dry and damp location standard, Wet location optional.
- Luminaire and driver installed and maintained from below the ceiling. Maximum ceiling thickness 1".
- Housings available (see housings page).
- Multiple luminaire configurations for plaster trim (see detail page).
- 5-year warranty.

Fixation

- RPT = Recessed Plaster Trim
- RBT = Recessed Bezel Trim

Power¹

- L = Low Power, 5.7W @ 350mA
- M = Mid Power, 8.4W @ 500mA
- H = High Power, 12W @ 700mA
- XH = Extra High Power, 17.8W @ 1050mA
- TW = 9W @ 500mA
- WD = 0.4 - 11.8W @ 350mA

CRI

- 92 = 92 CRI (Static White, TW only)
- 98 = 98 CRI (Static White)
- 95 = 95 CRI (WD only)

CCT²

- 27 = 2700K
- 30 = 3000K
- 35 = 3500K
- 40 = 4000K
- TW = Tunable White 1800 - 4000K
- WD = Warm Dimming 1800 - 3000K

Driver³

- S010 = eldoLED 0-10V 1% dimming, 120-277V (30W)
- D010 = eldoLED 0-10V 0.1% dimming, 120-277V (30W)
- SPH = Phase (2-wire) 3% dimming, 120V only (20W) [n/a for XH power]
- PEQO = Lutron Hi-Lume Premier 0.1% EcoSystem dimming, 120-277V (20W)
- D2S = DALI-2 for Static White 0.1% dimming, 120-277V (30W)
- D2T = DALI-2 (DT8) for Tunable White 0.1% dimming, 120-277V (30W)

Cover

- SWW = Square Wall Wash

Lens

- WWL = Wall Wash Spread Lens

Beam

- WW = Wall Wash

Trim / Cover Finish

- W = White, 15% gloss, RAL 9003 (standard)
- S = Silver, 15% gloss, RAL 9006
- F = Custom finish, specify RAL code

Housing (optional)⁴

- LP = Landing Pan
- NC = New Construction Housing
- IC = Insulated Ceiling Housing
- CP = Chicago Plenum Housing
- X = No Housing

Options

- WL = Wet Location
- TC = Thick Ceiling Clip (see detail page)
- MLC = Multiple luminaire configurations (see detail page)
- EM = Emergency (remote only)

¹ Wattage shown does not include power supplies/drivers.

² See photometric data sheet for delivered lumens.

³ See driver information for details.

⁴ See housings pages for details.