

60 Linear Direct or Indirect Surface Wall

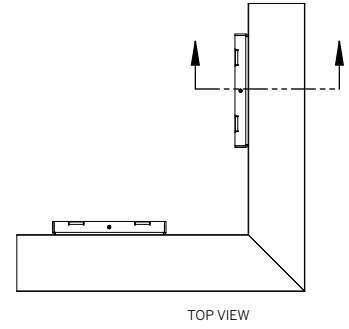
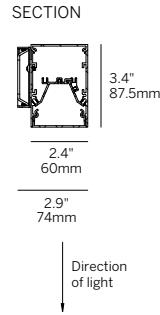
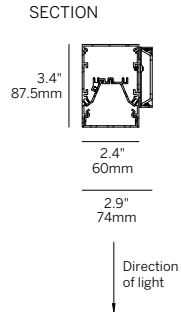
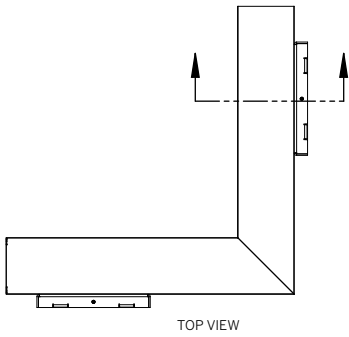
DIRECT

INSIDE CORNER (PI)

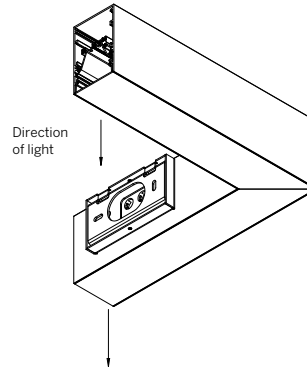
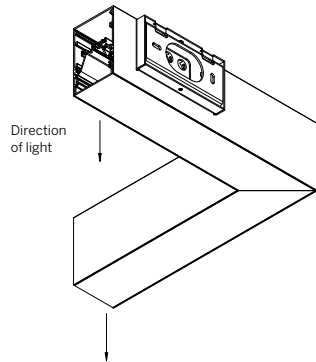
WG-60LD-SW-PI

OUTSIDE CORNER (PO)

WG-60LD-SW-PO



Mitered + Welded Housing
Mitered + Butted Lens



Mitered + Welded Housing
Mitered + Butted Lens

60 Linear Direct or Indirect Surface Wall

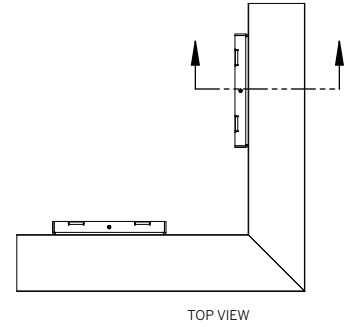
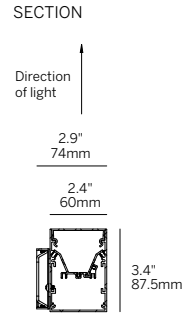
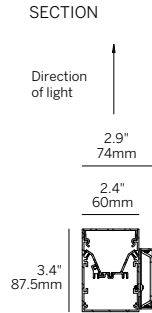
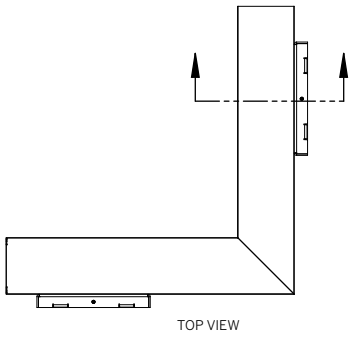
INDIRECT

INSIDE CORNER (PI)

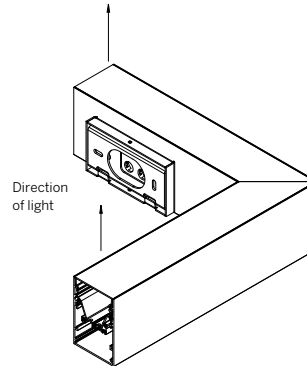
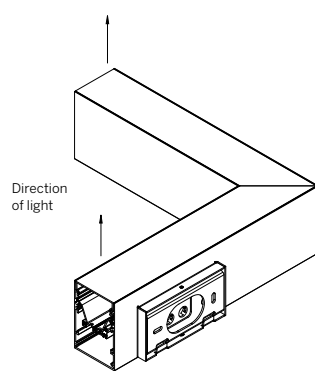
WG-60LI-SW-PI

OUTSIDE CORNER (PO)

WG-60LI-SW-PO

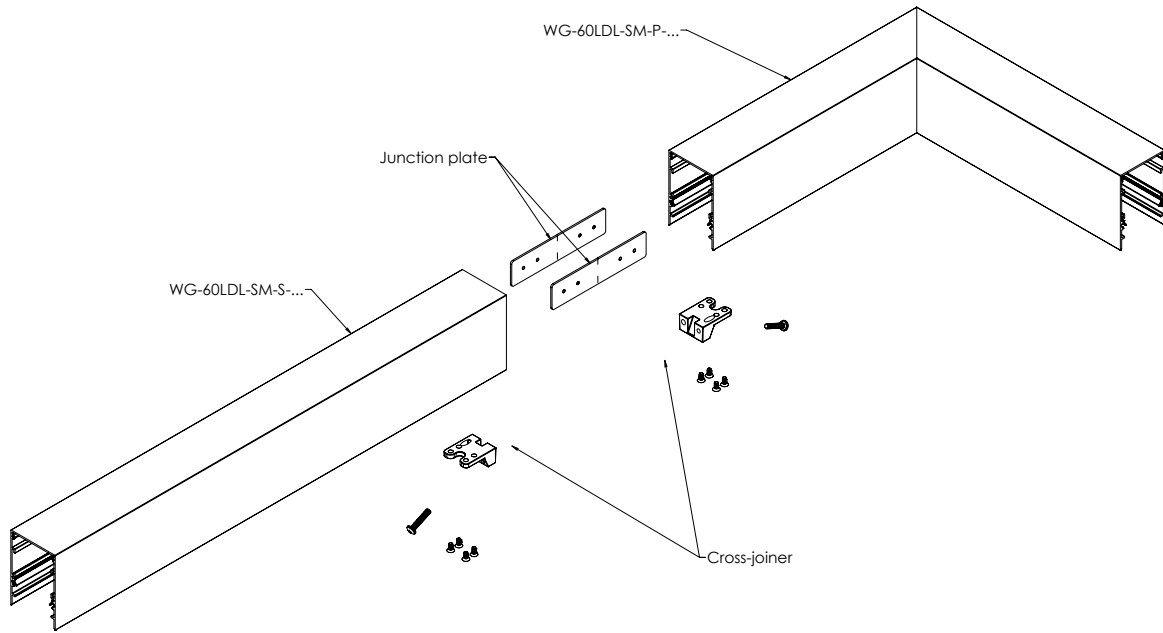


Mitered + Welded Housing
Mitered + Butted Lens

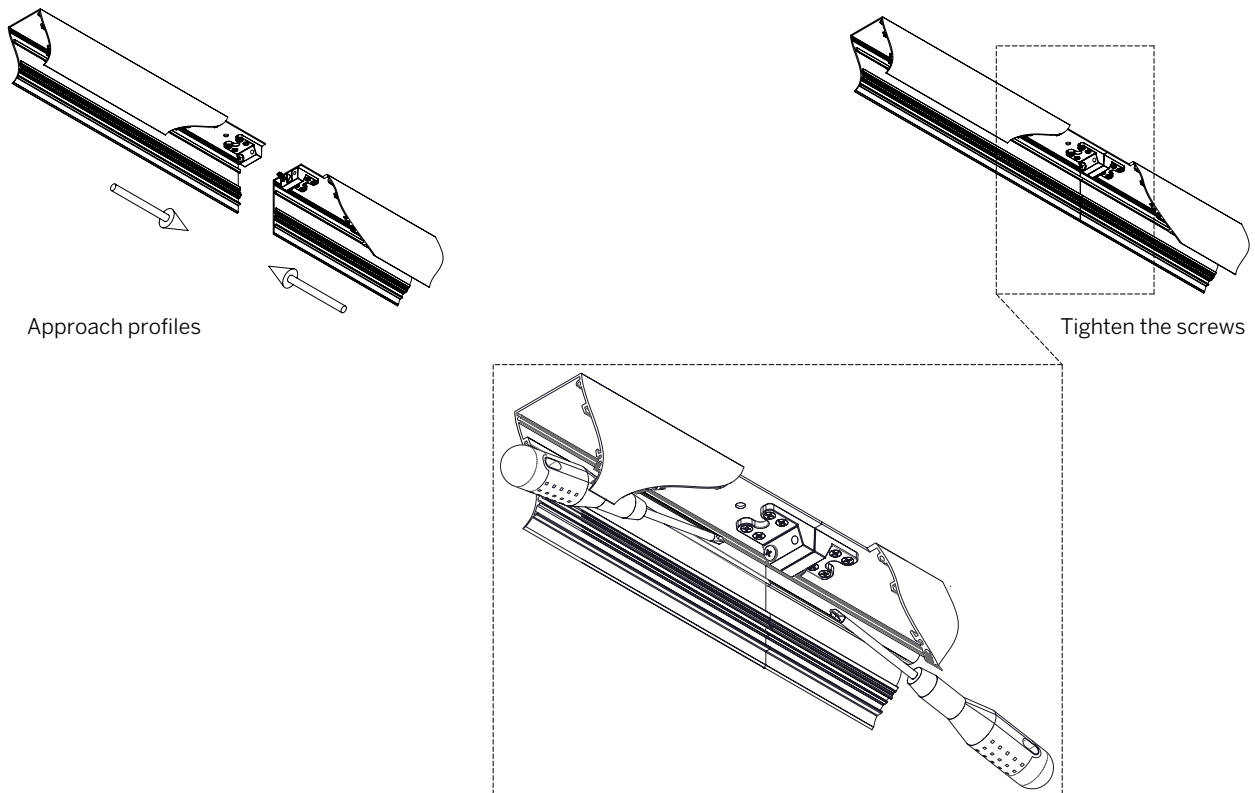


Mitered + Welded Housing
Mitered + Butted Lens

CORNER + STRAIGHT RUN CONNECTIONS



CROSS JOINER



60 Linear Direct or Indirect Surface Wall

PROFILE DIMENSIONS

