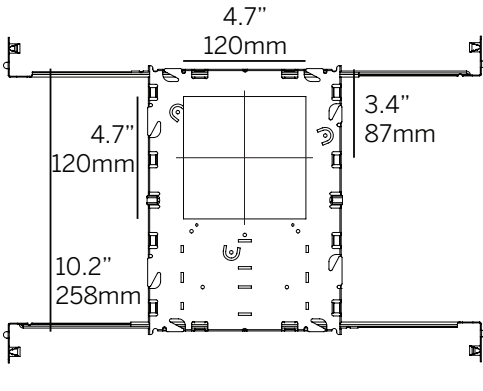
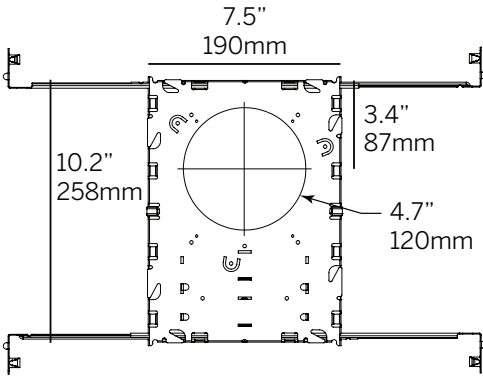
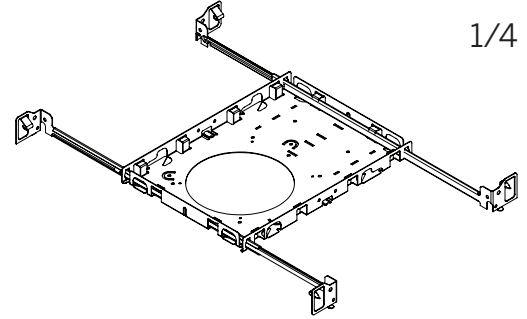
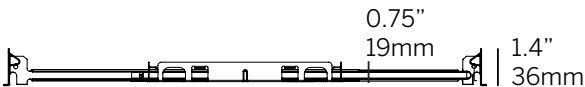


Housing Information

1/4



Hanger bars adjustable from
13.6 to 24.5"
345 to 622mm



Landing Pan

- Galvanized steel constructions
- Integral junction box and driver accessible through ceiling aperture.
- Supplied with hanger bars that adjust between 13.6" and 24.5"

Opening

- R = Round
- S = Square

Integral Driver

- S010 = eldoLED 1%
0-10V dimming, 120-277V
- D010 = eldoLED 0.1%
0-10V dimming, 120-277V
- SPH = Triac/ELV 3%
dimming, 120V *only*
- PEQ0 = Lutron Hi-lume
Premier 0.1% EcoSystem,
120-277V
- D2S = eldoLED 0.1%,
DALI-2 (DT-6), 120-277V
- D2T = eldoLED 0.1%,
DALI-2 (DT-8) dimming,
120-277V. *Not available
on D Series.*
- EM = Bodine 6W
Emergency Driver, 120-277V
- EM = Iota 7W or 12W
Emergency Driver, 120-277V
(Remote only)

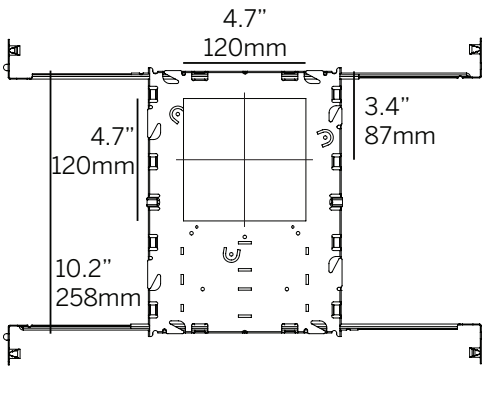
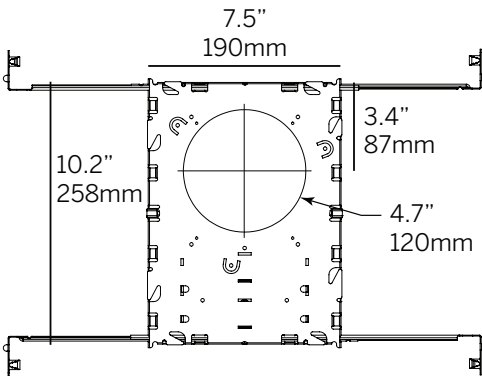
*Refer to the chart on page 4 for
more information on Housing/
Driver compatibility.*

4" ProTools Downlights

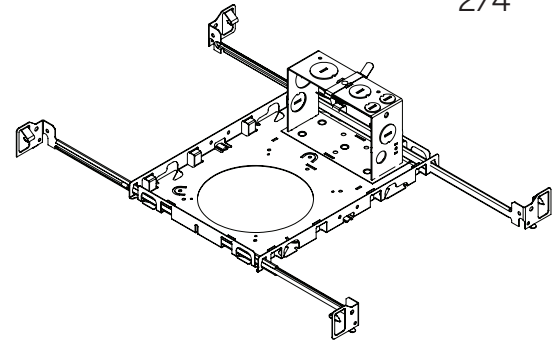
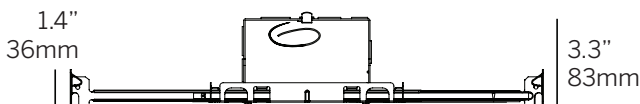
New Construction

Housing Information

2/4



Hanger bars adjustable from
13.6 to 24.5"
345 to 622mm



New Construction

- New Construction housing for accessible ceilings only
- Galvanized steel constructions
- Integral junction box and driver accessible through ceiling aperture.
- Supplied with hanger bars that adjust between 13.6" and 24.5"

Opening

- R = Round
- S = Square

Integral Driver

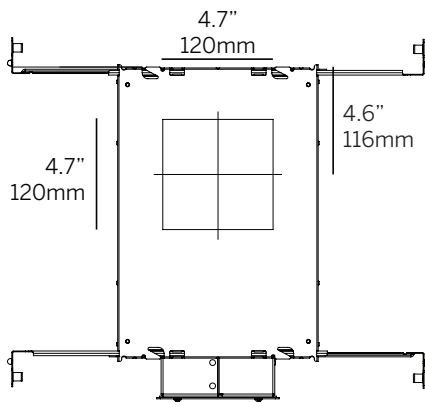
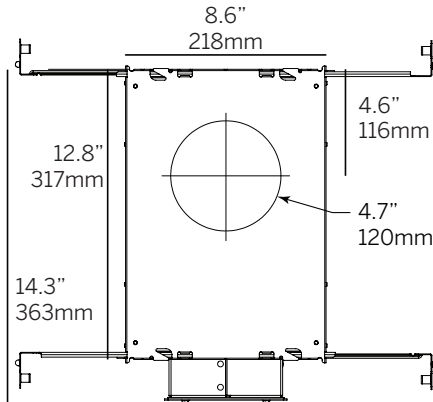
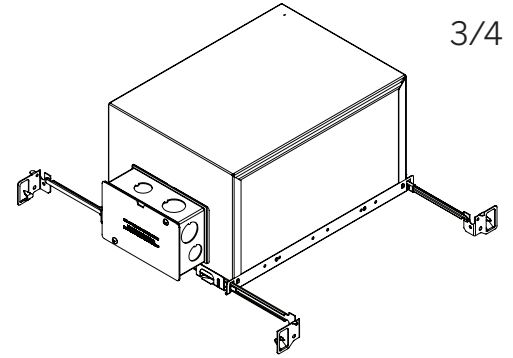
- S010 = eldoLED 1% 0-10V dimming, 120-277V
- D010 = eldoLED 0.1% 0-10V dimming, 120-277V
- SPH = Triac/ELV 3% dimming, 120V *only*
- PEQ0 = Lutron Hi-lume Premier 0.1% EcoSystem, 120-277V
- D2S = eldoLED 0.1%, DALI-2 (DT-6), 120-277V
- D2T = eldoLED 0.1%, DALI-2 (DT-8) dimming, 120-277V. *Not available on D Series.*
- EM = Bodine 6W EmergencyDriver, 120-277V
- EM = Iota 7W or 12W EmergencyDriver, 120-277V (Remote only)

Refer to the chart on page 4 for more information on Housing/Driver compatibility.

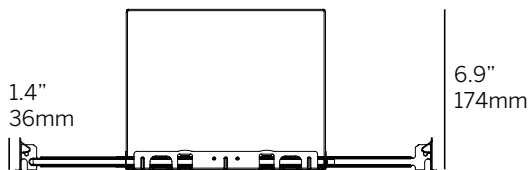
4" ProTools Downlights

Housing Information

Insulated Ceiling Chicago Plenum



Hanger bars adjustable from
13.6 to 24.5"
345 to 622mm



IC/CP

- IC/CP housing for accessible ceilings only
- Galvanized steel construction
- Fully caulked corners
- Gasketed mating plaster frame surfaces and of integral junction box
- Integral junction box for wire splice from external power source (optional)
- Supplied with hanger bars that adjust between 13.6" and 24.5"
- Anti-vibration embossing
- Designed for an airflow rate not to exceed 2 CFM

Opening

- R = Round
- S = Square

Integral Driver

- S010 = eldoLED 1% 0-10V dimming, 120-277V
- D010 = eldoLED 0.1% 0-10V dimming, 120-277V
- SPH = Triac/ELV 3% dimming, 120V *only*
- PEQ0 = Lutron Hi-lume Premier 0.1% EcoSystem, 120-277V
- D2S = eldoLED 0.1%, DALI-2 (DT-6) dimming, 120-277V
- D2T = eldoLED 0.1%, DALI-2 (DT-8) dimming, 120-277V. *Not available on D Series.*
- EM = Bodine 6W Emergency Driver, 120-277V
- EM = Iota 7W or 12W Emergency Driver, 120-277V (Remote only)

Refer to the chart on page 4 for more information on Housing/Driver compatibility.

4" ProTools Downlights

Landing Pan New Construction Insulated Ceiling Chicago Plenum

Driver Charts

4" ProTools Downlight (Shallow)

4/4

Driver	Driver Wattage	Control Protocol	Dim Level	Fixtures/Driver			Housing (Integral)	Housing (Remote)
				Low 11W @ 350mA	Medium 15W @ 500mA	High 22.5W @ 700mA		
S010	30W	0-10V	1%	1	1	1	LP - NC - IC - CP	-
D010	30W	0-10V	0.1%	1	1	1	LP - NC - IC - CP	-
SPH	20W	Triac/ELV	3%	1	1	-	LP - NC - IC - CP	-
PEQ0	20W	EcoSystem	0.1%	1	1	-	LP - NC - IC - CP	-
D2S	30W	DALI-2 (DT-6)	0.1%	1	1	1	LP - NC - IC - CP	-
EM	6W	Emergency	-	-	1	-	LP - NC - IC - CP	-
EM	7W	Emergency	-	-	1	-	-	LP - NC - IC - CP

4" ProTools Downlight/Adjustable/Wall Wash

Driver	Driver Wattage	Control Protocol	Dim Level	Fixtures/Driver						Housing (Integral)	Housing (Remote)
				Low 5.7W @350mA	Medium 8.4W @500mA	High 12W @700mA	Extra High 18.6W @1050mA	Tunable White 9W @500mA	Warm Dim 9W @500mA		
S010	30W	0-10V	1%	1 - 2	1 - 2	1 - 2	1	-	1	LP - NC - IC - CP	-
D010	30W	0-10V	0.1%	1 - 2	1 - 2	1 - 2	1	-	1	LP - NC - IC - CP	-
SPH	20W	Triac/ELV	3%	1 - 2	1 - 2	1	-	-	1	LP - NC - IC - CP	-
PEQ0	20W	EcoSystem	0.1%	1 - 2	1 - 2	1	1	-	1	LP - NC - IC - CP	-
D2S	30W	DALI-2 (DT-6)	0.1%	1 - 2	1 - 2	1 - 2	1	-	1	LP - NC - IC - CP	-
D2T	30W	DALI-2 (DT-8)	0.1%	-	-	-	-	1 - 2	-	LP - NC - IC - CP	-
EM	6W	Emergency	-	-	1	-	-	-	-	LP - NC - IC - CP	-
EM	7W, 12W	Emergency	-	-	1	-	-	-	-	-	LP - NC - IC - CP