

Luminaires must be installed by a qualified electrician. Check with local and national codes for proper installation.

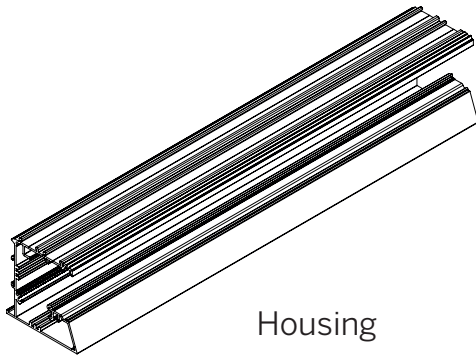


To prevent electrical shock disconnect electrical supply before installation or servicing.
Never connect a live fixture!!!

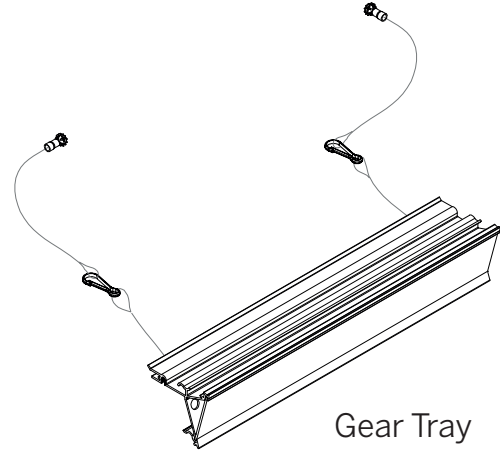
Contractor is responsible for adequately reinforcing walls and/or ceilings to support fixture weight. Provide blocking when necessary.

Step 1 - Open the Box

Unpack luminaire unit. Unit is comprised of:

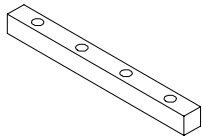


Housing

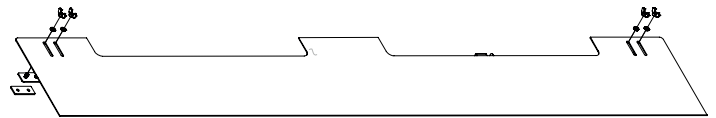


Gear Tray

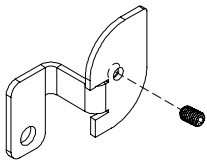
(LED board, Driver, and Safety Cables pre-installed at factory)



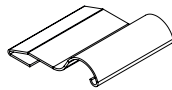
Alignment Pin
(Multi-Unit Run only)



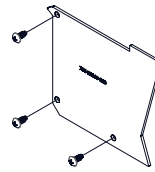
Infill Panel Kit
(Optional)



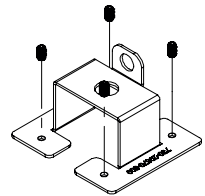
Grid Brackets



Mounting Clips
(4 per Fixture)



End Cap Kit (2)
(Multi-Unit Run only)



Hanging Brackets

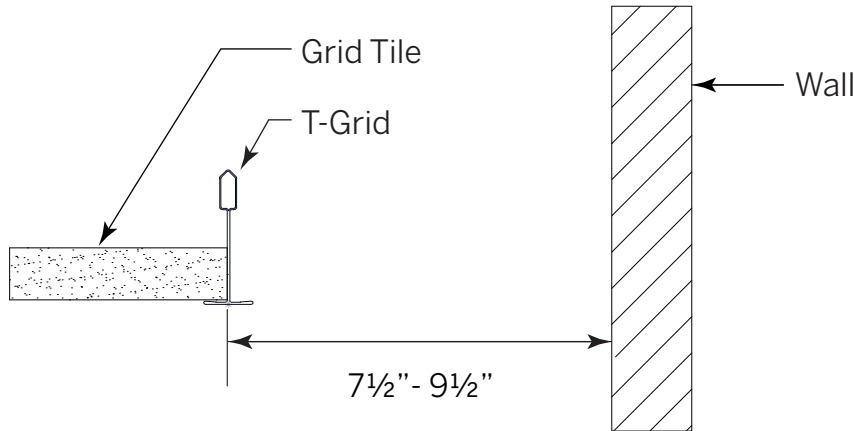
Infill Panels, End Caps, Hanging Brackets, and Grid Brackets are supplied with mounting screws.

Need
Help?



Step 2 - Ceiling Prep

If your order includes the factory-supplied Infill Panel, construct ceiling grid such that there is a 7½" - 9½" space between center line of grid and wall. Dimensional range due to adjustable depth of Infill Panel. See **Step 6** for more details.

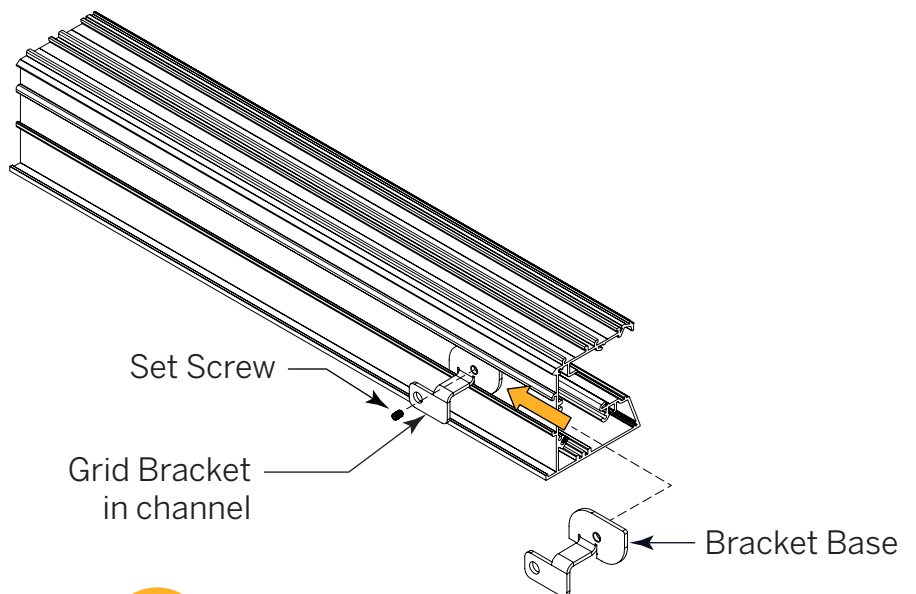


Step 3 - Installation of Grid Brackets

- a** Secure Grid Brackets on Housing by sliding base along major channel on back of extrusion.
- b** Fasten to Housing with supplied **M4 Hex** Set Screw, as shown.

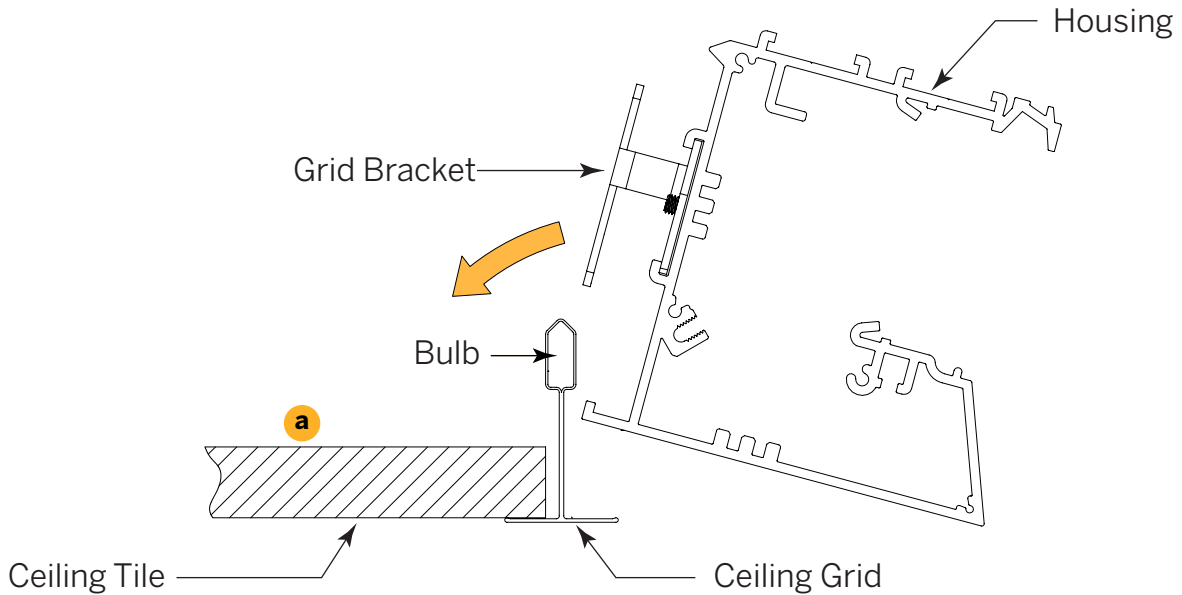
Repeat as necessary.

See **Step 4** for side view of installed Grid Bracket

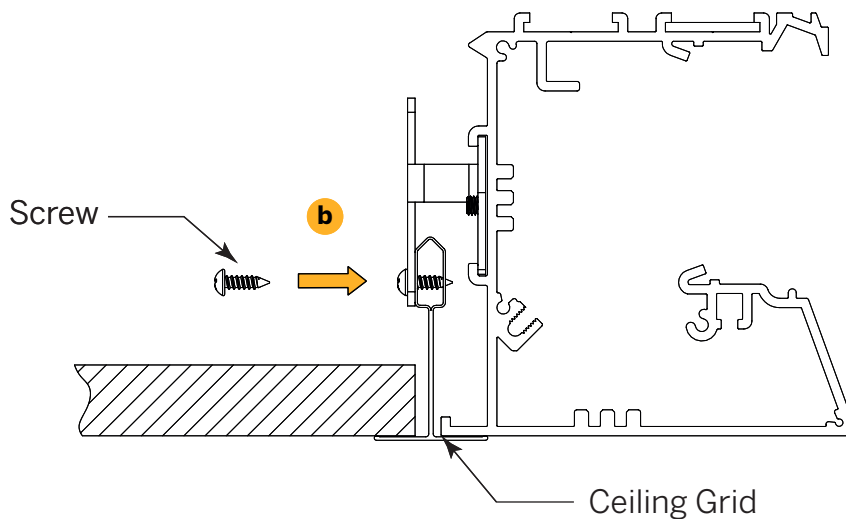


Step 4 - Installation of Housing into Grid Ceiling

- a** Hook Grid Bracket over bulb of Ceiling Grid.

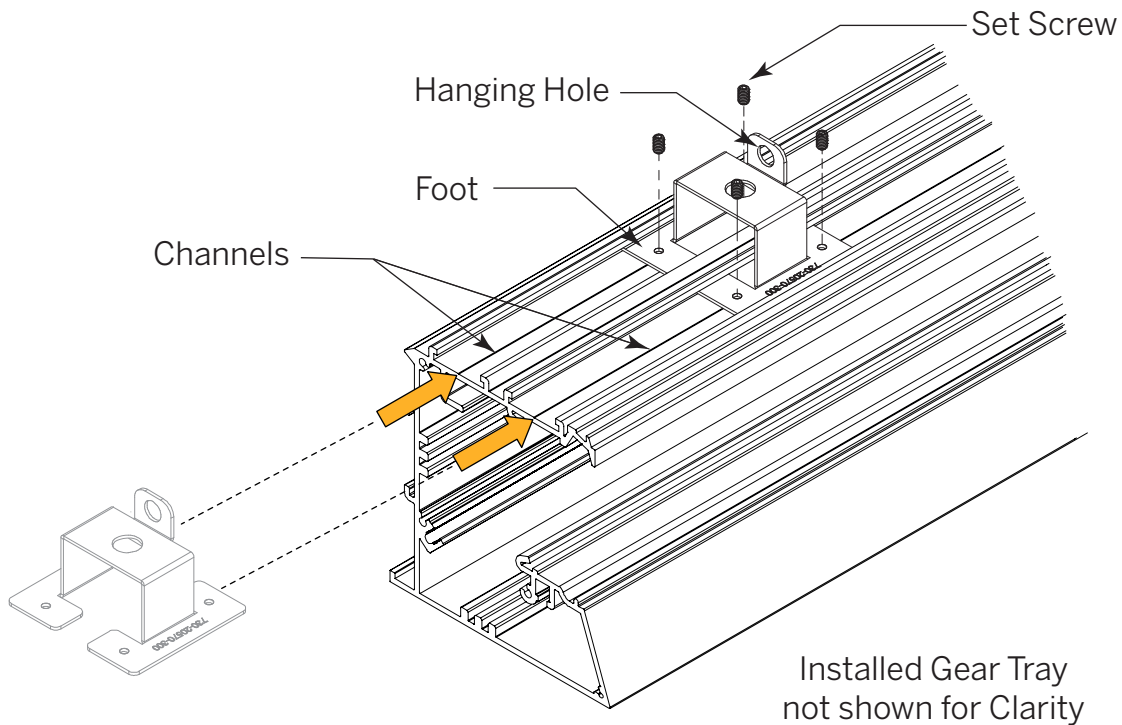


- b** Drive a Thread-Forming Screw (supplied by others) through hole located on Grid Bracket to Secure. Repeat as necessary.



Step 5 - Installation of Hanging Brackets

- a** If required to attach fixtures to ceiling structure, slide Hanging Brackets into Housing's top double channel such that they capture the Brackets' two "feet."
- b** Secure Brackets with supplied **M3 Hex** Set Screws.
- c** Attach hanging wire or suspension rod (both supplied by others) to Hanging Hole on top of each Bracket, as shown.

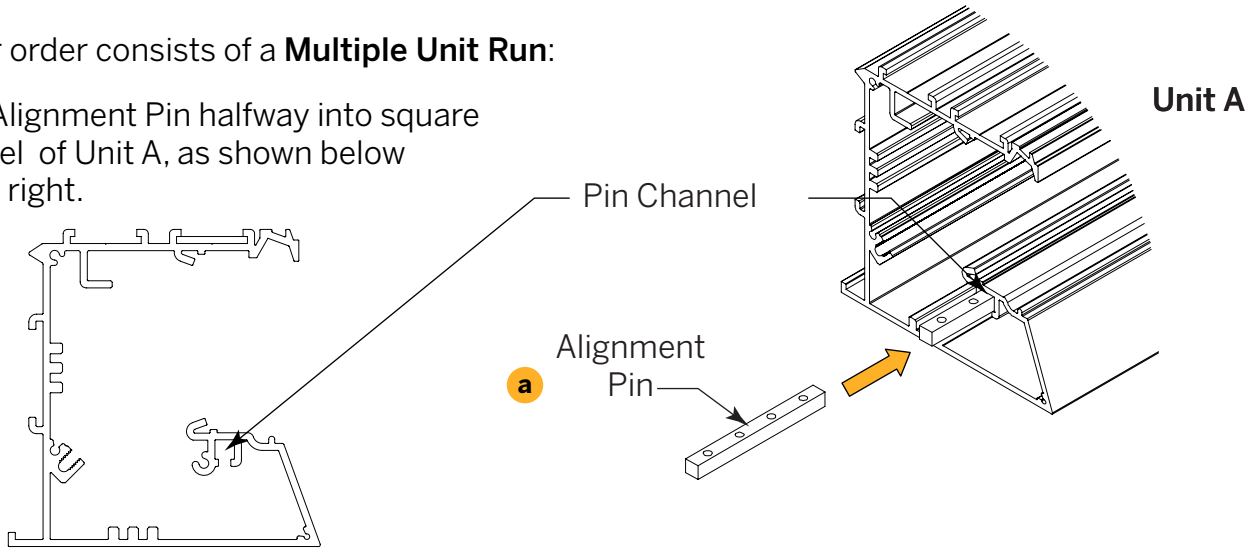


Step 6 - Installation of Alignment Pins

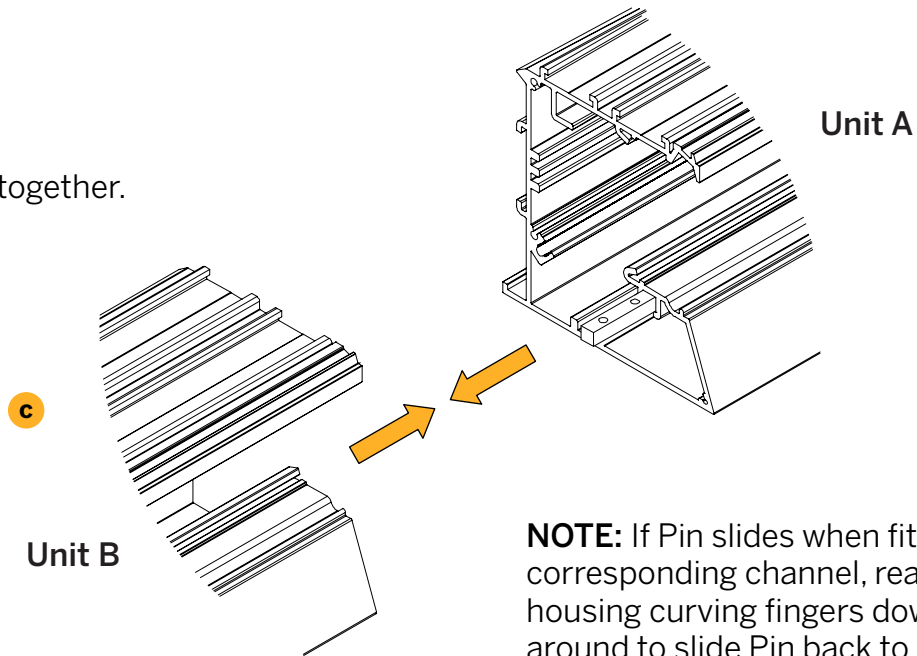
If your order consists of **Stand-Alone** fixtures and includes Infill Panels skip to **Step 6**. If not, skip to **Step 7**.

If your order consists of a **Multiple Unit Run**:

- a** Slide Alignment Pin halfway into square channel of Unit A, as shown below and at right.



- b** Draw Unit A and Unit B together. Fit Alignment Pin into corresponding channel in Unit B.



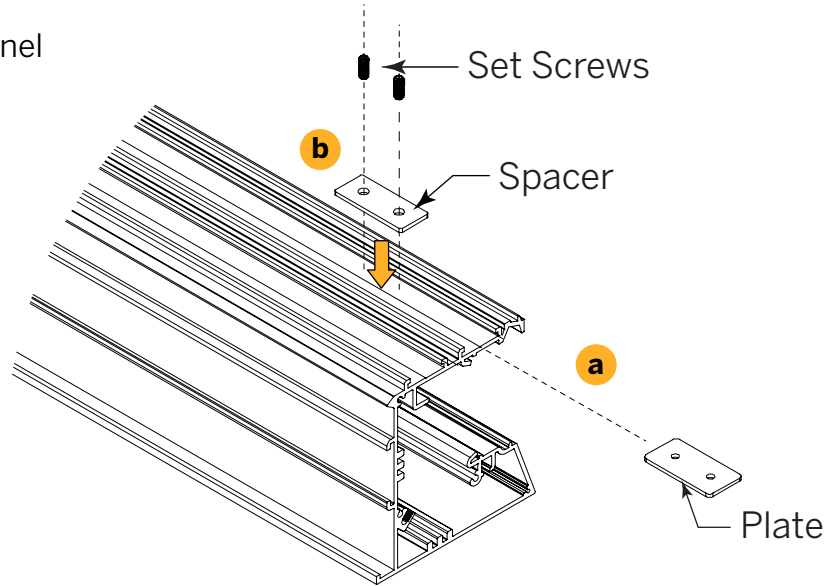
NOTE: If Pin slides when fitting into corresponding channel, reach into housing curving fingers down and around to slide Pin back to center between the two units.



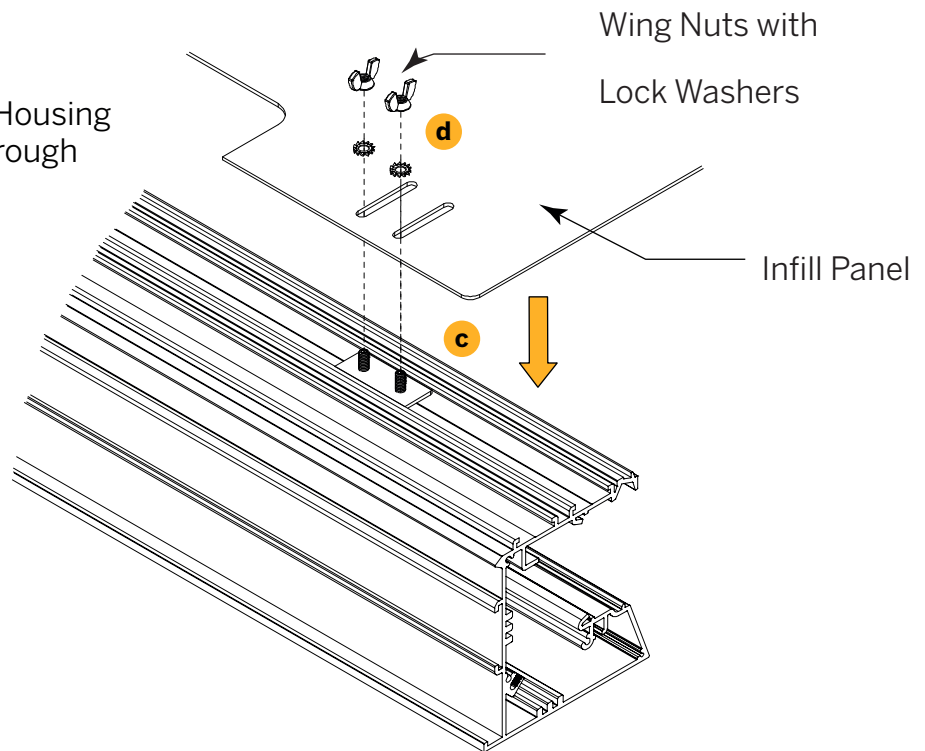
Step 7 - Installation of Infill Panel

If your order includes an Infill Panel,

- a** Slide Z Cove Plate through front channel on top of Housing.
- b** Place Z Cove Spacer on top of Plate. Fasten together with supplied **M4 Flat Head Set Screws**.

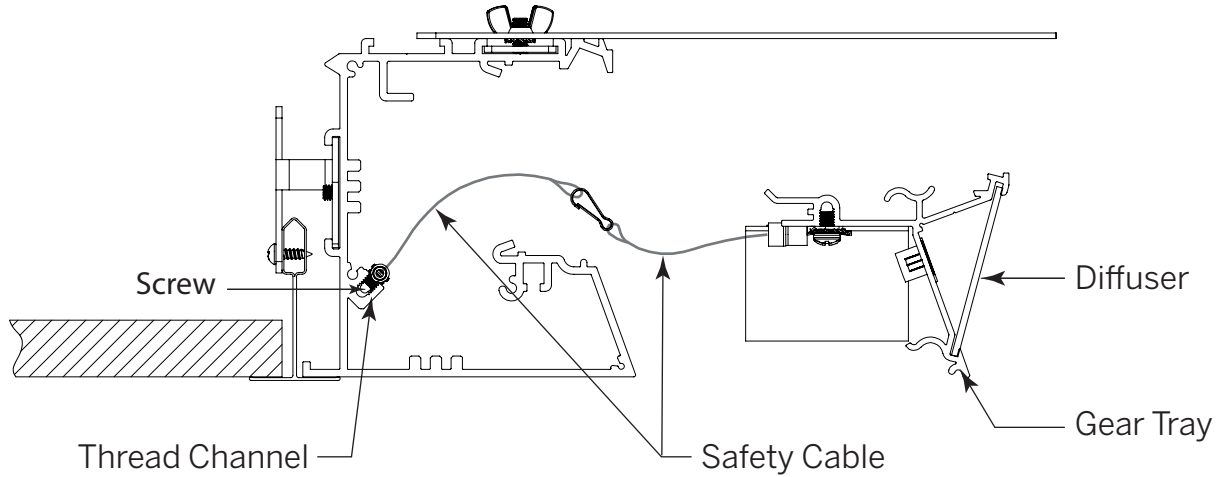


- c** Lower Infill Panel onto top of Housing such that Set Screws pass through slots in Panel.
- d** Fasten with Wing Nuts and Lock Washers.



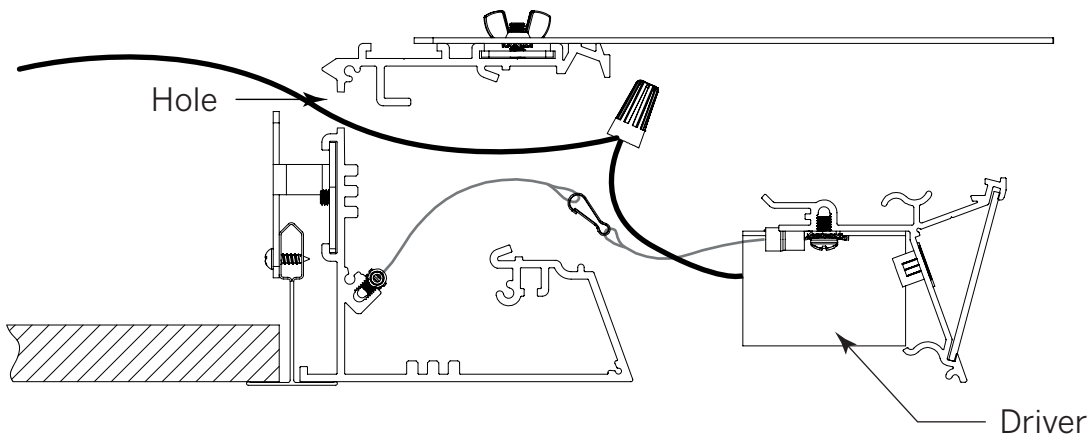
Step 8 - Installation of Safety Cable

The factory attaches the two-part Safety Cable to the Gear Tray. The free end with screw is now fastened to the Thread Channel in Housing, as shown below.



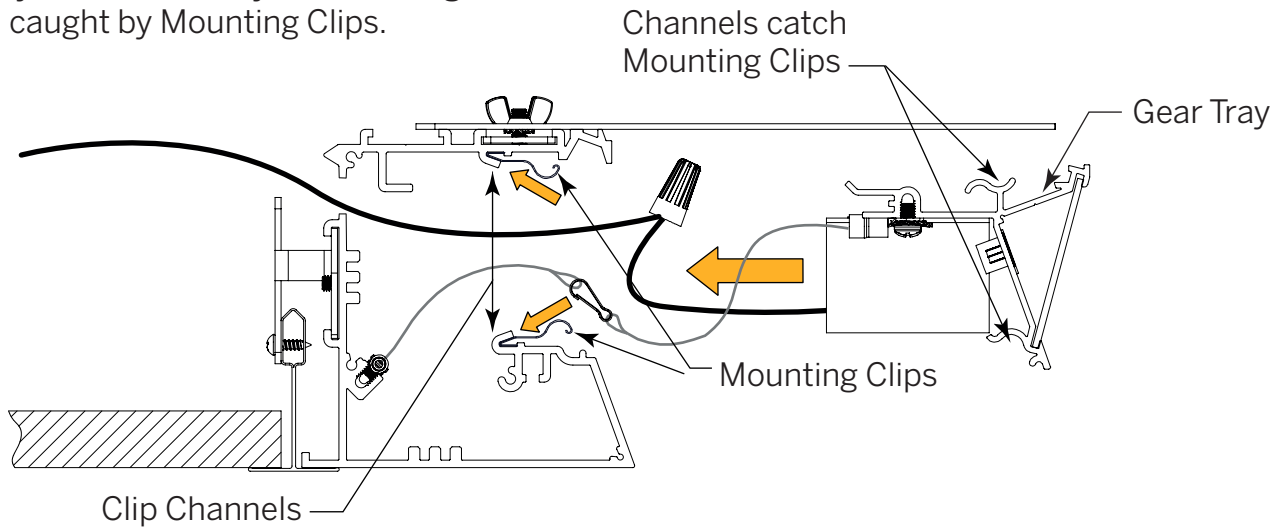
Step 9 - Wiring

- a** Pull Power (and Control) Feed wires through holes in Housing.
- b** Connect wires from Driver to Power Feed. A 7/8" hole is drilled in Housing at start of run.



Step 10 - Installation of Gear Tray

- a** Push Mounting Clips into Housing - see small arrows below. (half of supplied quantity above, half below).
- b** Gently insert Gear Tray into Housing until caught by Mounting Clips.



Step 11 - Install End Caps

If your order is for **Stand-Alone** fixtures, End Caps are pre-installed at factory.

- a** If your order is for a **Multi-Unit run**, install End Cap on first unit at beginning of run and last unit at end of run, using supplied #4-40 Phillips head screws.
- b** Apply power to test operation.

