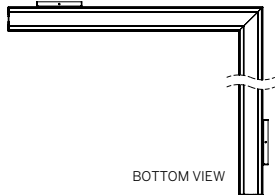
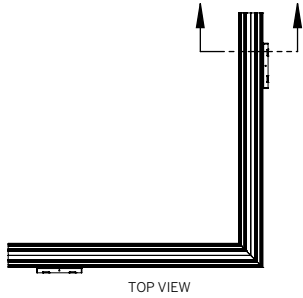


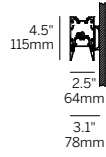
ProTools 60 Linear Direct Wall – Mullion Mount

INSIDE CORNER (PI)

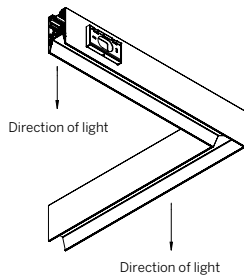
WG-60PTLDI-SW-PI-...-RML



SECTION

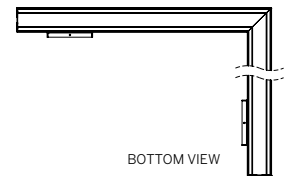
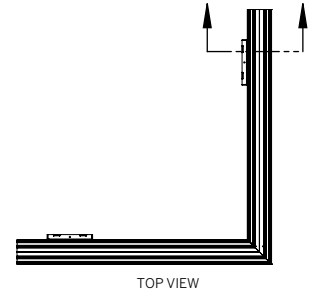


Direction of light ↓

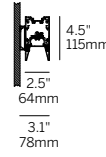


OUTSIDE CORNER (PO)

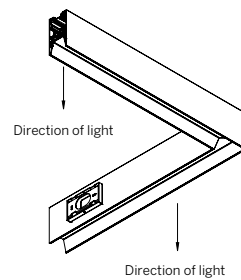
WG-60PTLDI-SW-PO-...-RML



SECTION

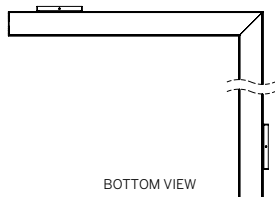
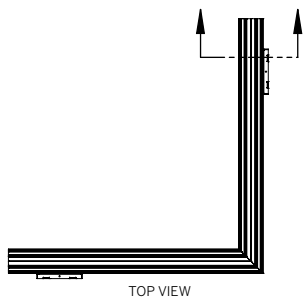


Direction of light ↓

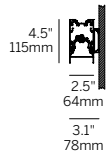


INSIDE CORNER (PI)

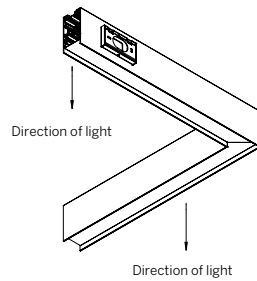
WG-60PTLDI-SW-PI-...-ROL



SECTION

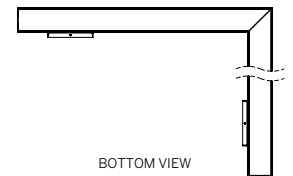
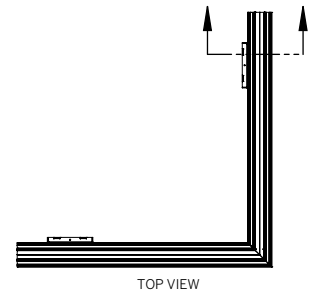


Direction of light ↓

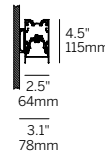


OUTSIDE CORNER (PO)

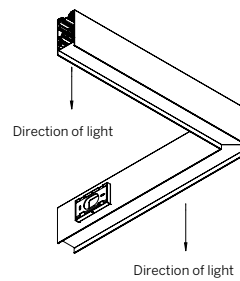
WG-60PTLDI-SW-PO-...-ROL



SECTION



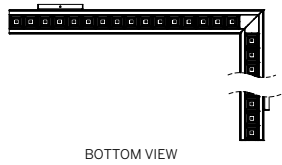
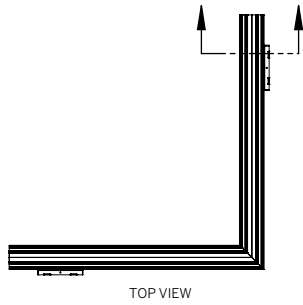
Direction of light ↓



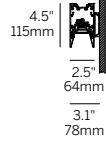
ProTools 60 Linear Direct Wall – Mullion Mount

INSIDE CORNER (PI)

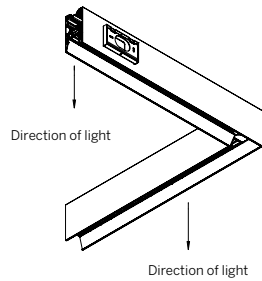
WG-60PTLDI-SW-PI-...-RLW/RLB



SECTION



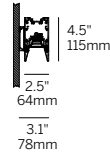
Direction of light ↓



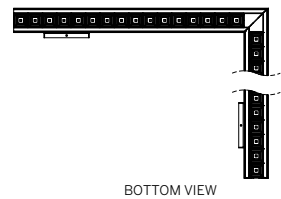
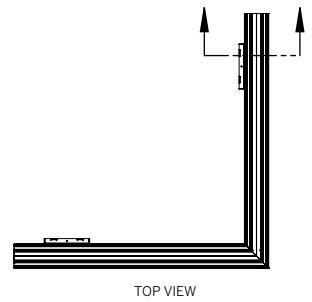
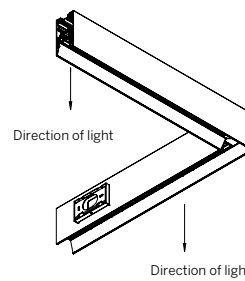
OUTSIDE CORNER (PO)

WG-60PTLDI-SW-PO-...-RLW/RLB

SECTION

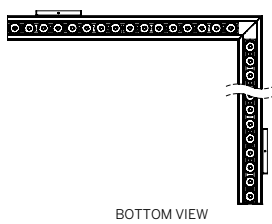
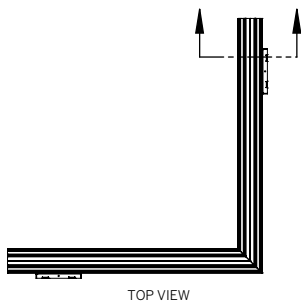


Direction of light ↓

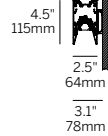


INSIDE CORNER (PI)

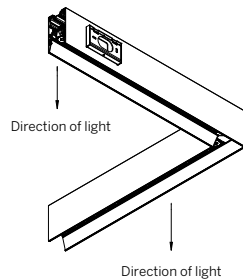
WG-60PTLDI-SW-PI-...-REO



SECTION



Direction of light ↓



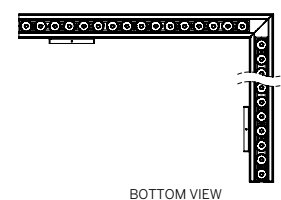
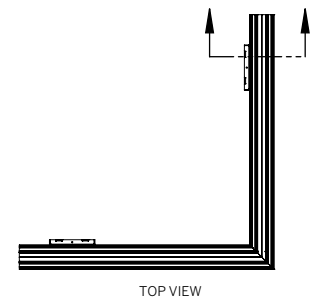
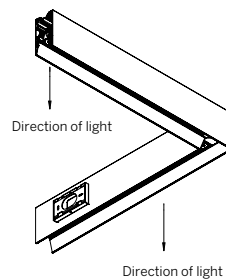
OUTSIDE CORNER (PO)

WG-60PTLDI-SW-PO-...-REO

SECTION

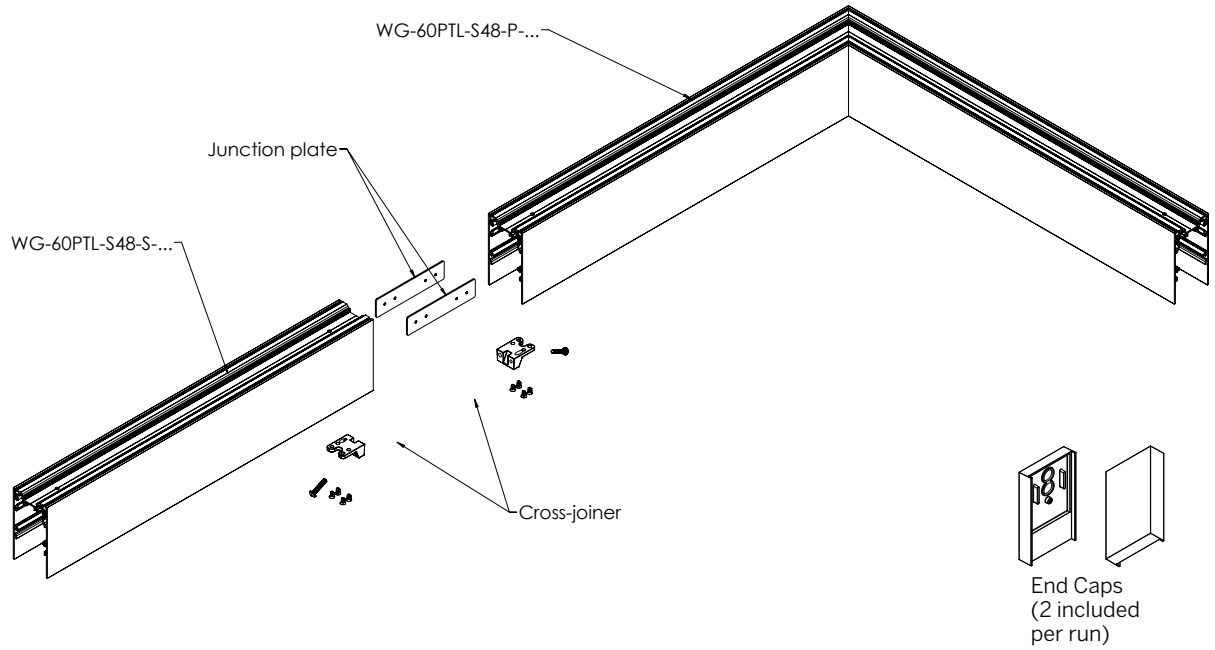


Direction of light ↓



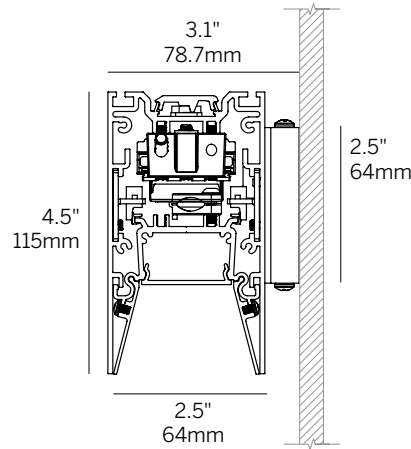
ProTools 60 Linear Direct Wall – Mullion Mount

CORNER + STRAIGHT RUN CONNECTIONS

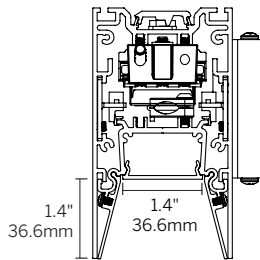


ProTools 60 Linear Direct Wall – Mullion Mount

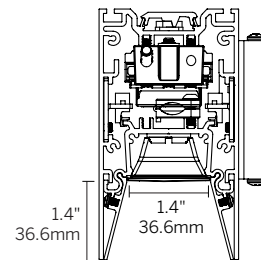
PROFILE DIMENSIONS



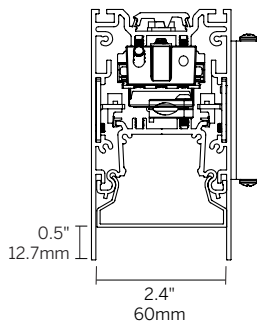
LENS / LOUVER DIMENSIONS



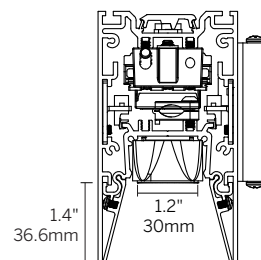
Recessed Micro-prismatic
Lens (RML)



Recessed Louver
(RLW, RLB)



Regressed Opal Lens
(ROL)

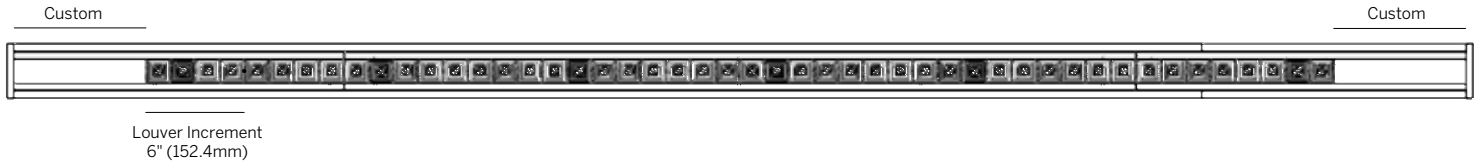


Recessed Elliptical Optic
(REO)

ProTools 60 Linear Direct Wall – Mullion Mount

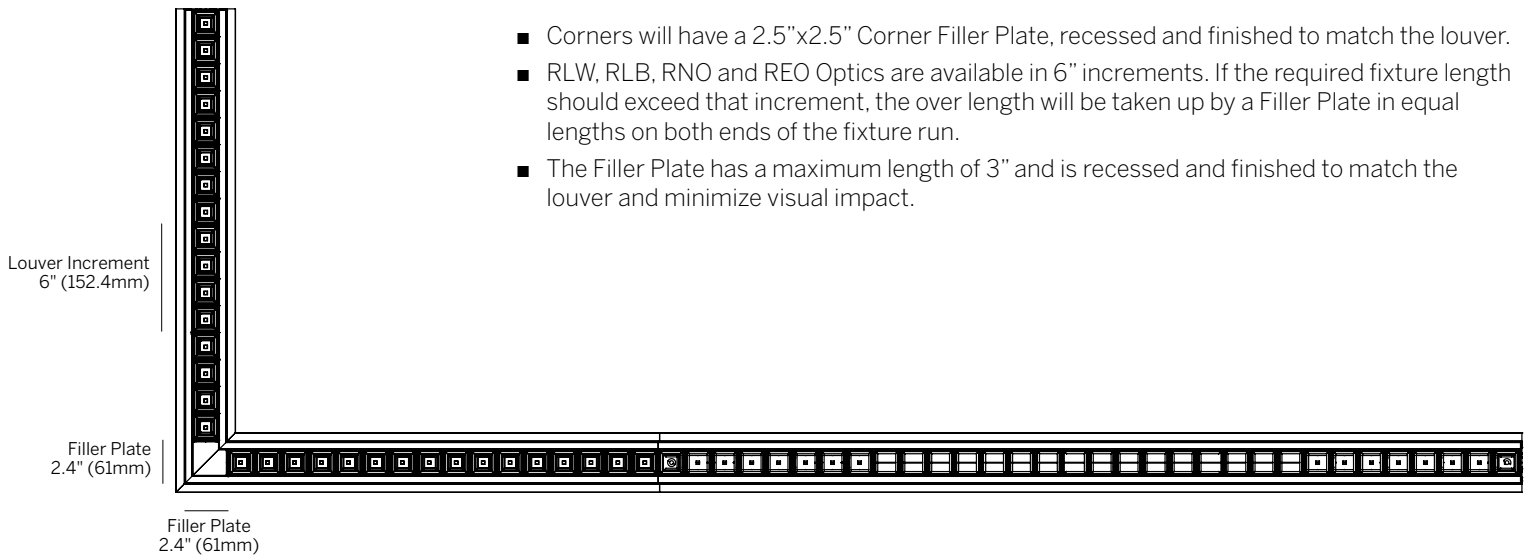
FILLER PLATE STRAIGHT RUN / LOUVER

- RLW, RLB, RNO and REO Optics are available in 6" increments. If the required fixture length should exceed that increment, the over length will be taken up by a Filler Plate in equal lengths on both ends of the fixture run.
- The Filler Plate is recessed and finished to match the louver and minimize visual impact.



FILLER PLATE CORNER CONFIGURATION / LOUVER

- Corners will have a 2.5"x2.5" Corner Filler Plate, recessed and finished to match the louver.
- RLW, RLB, RNO and REO Optics are available in 6" increments. If the required fixture length should exceed that increment, the over length will be taken up by a Filler Plate in equal lengths on both ends of the fixture run.
- The Filler Plate has a maximum length of 3" and is recessed and finished to match the louver and minimize visual impact.



ProTools 60 Linear Direct Wall – Mullion Mount

FILLER PLATE MULTI-CORNER / LOUVER

- Corners will have a 2.4"x2.4" Corner Filler Plate recessed and finished to match the louver.
- RLW, RLB, RNO and REO Optics are available in 6" increments. If the required fixture length should exceed that increment, the over length will be taken up by a Filler Plate in equal lengths on both ends of the fixture run.
- The Filler Plate is recessed and finished to match the louver and minimize visual impact.

