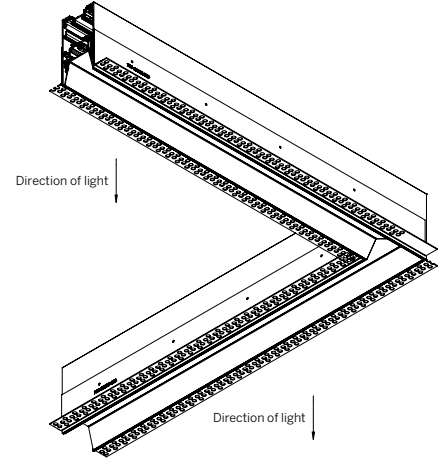
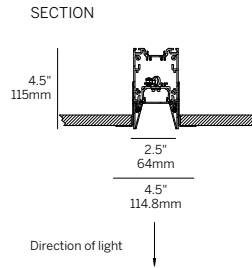
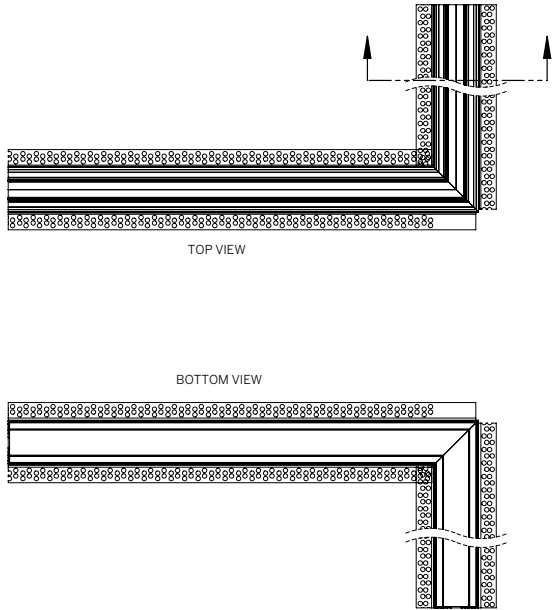


ProTools 60 Linear Downlight Recessed

PLASTER TRIM

PATTERN CORNER (P)

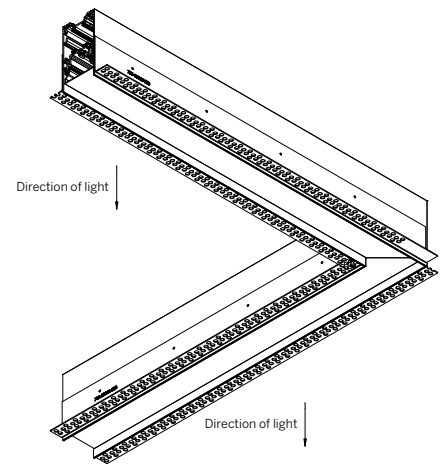
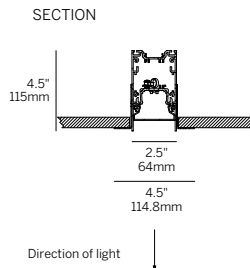
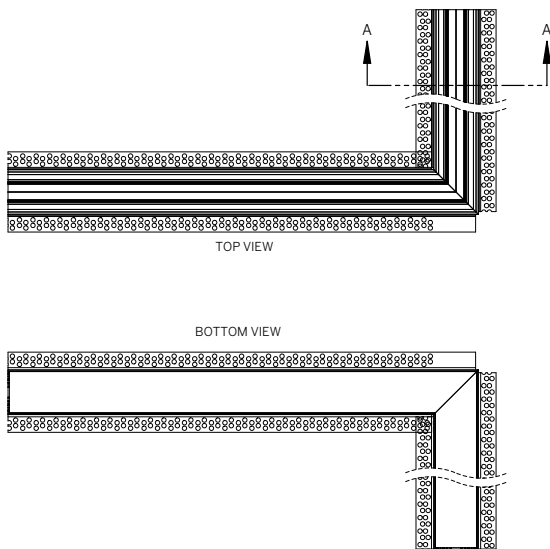
WG-60PTL-RPT-P-RML



Minimum Angle 45°
Maximum Angle 180°

PATTERN CORNER (P)

WG-60PTL-RPT-P-ROL



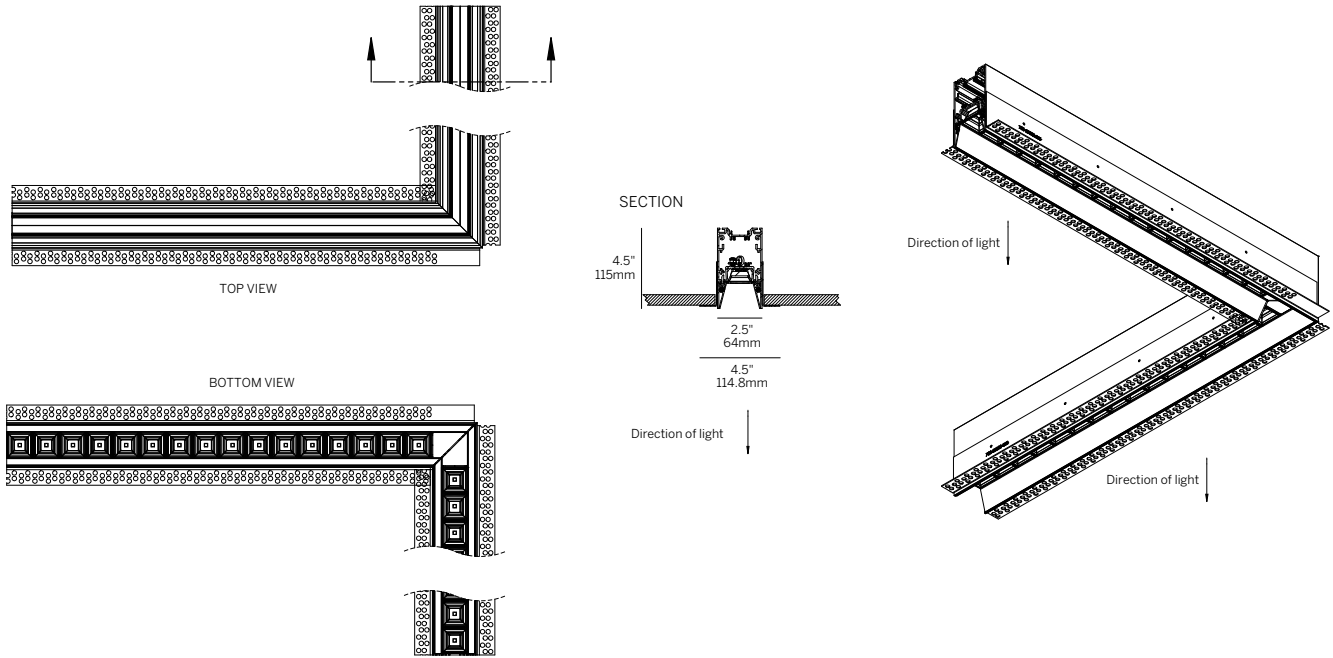
Minimum Angle 45°
Maximum Angle 180°

ProTools 60 Linear Downlight Recessed

PLASTER TRIM

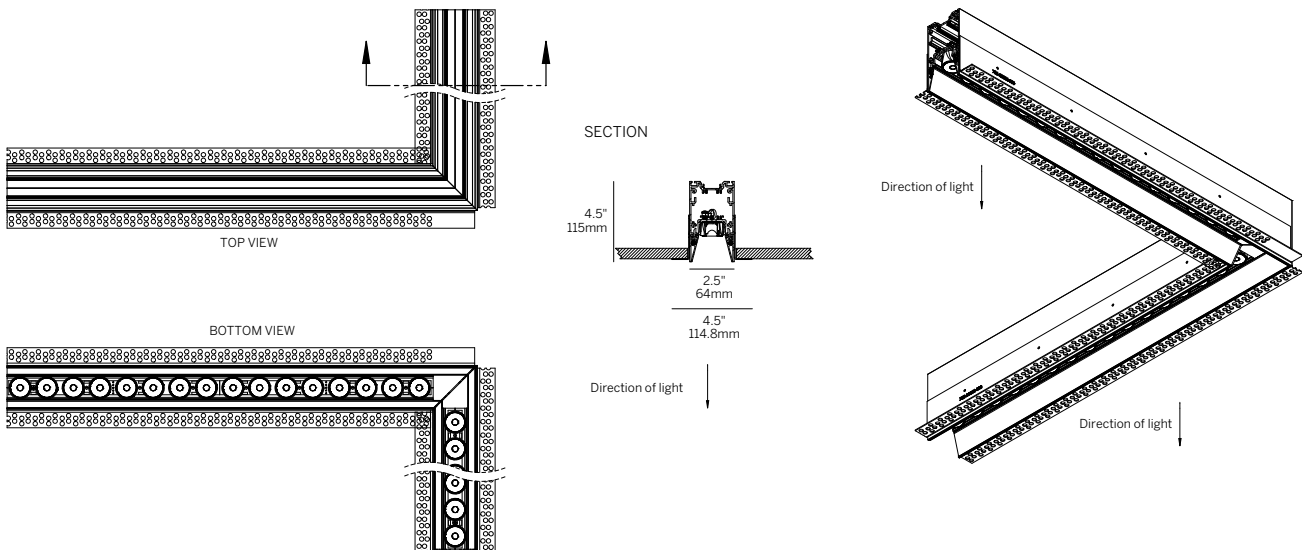
PATTERN CORNER (P)

WG-60PTL-RPT-P-RLW/RLB



PATTERN CORNER (P)

WG-60PTL-RPT-P-RNO

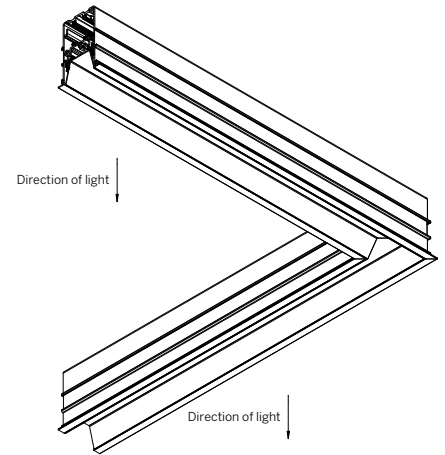
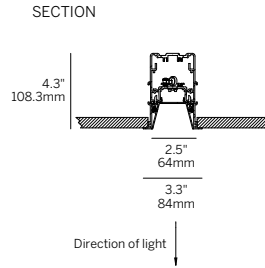
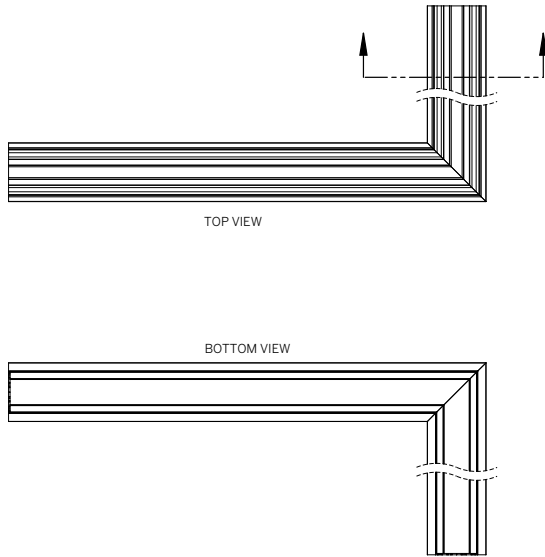


ProTools 60 Linear Downlight Recessed

BEZEL TRIM / GRID TRIM

PATTERN CORNER (P)

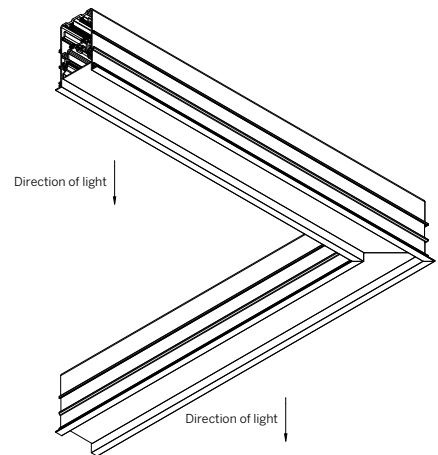
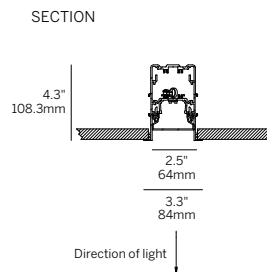
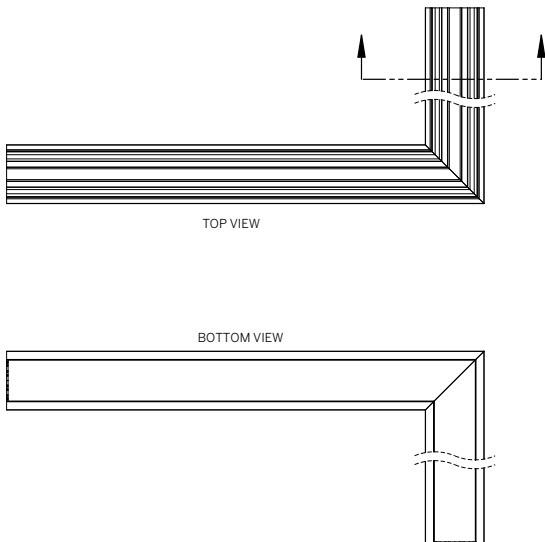
WG-60PTL-[RBT / RGT9 / RGT15]-P-RML



Minimum Angle 45°
Maximum Angle 180°

PATTERN CORNER (P)

WG-60PTL-[RBT / RGT9 / RGT15]-P-ROL



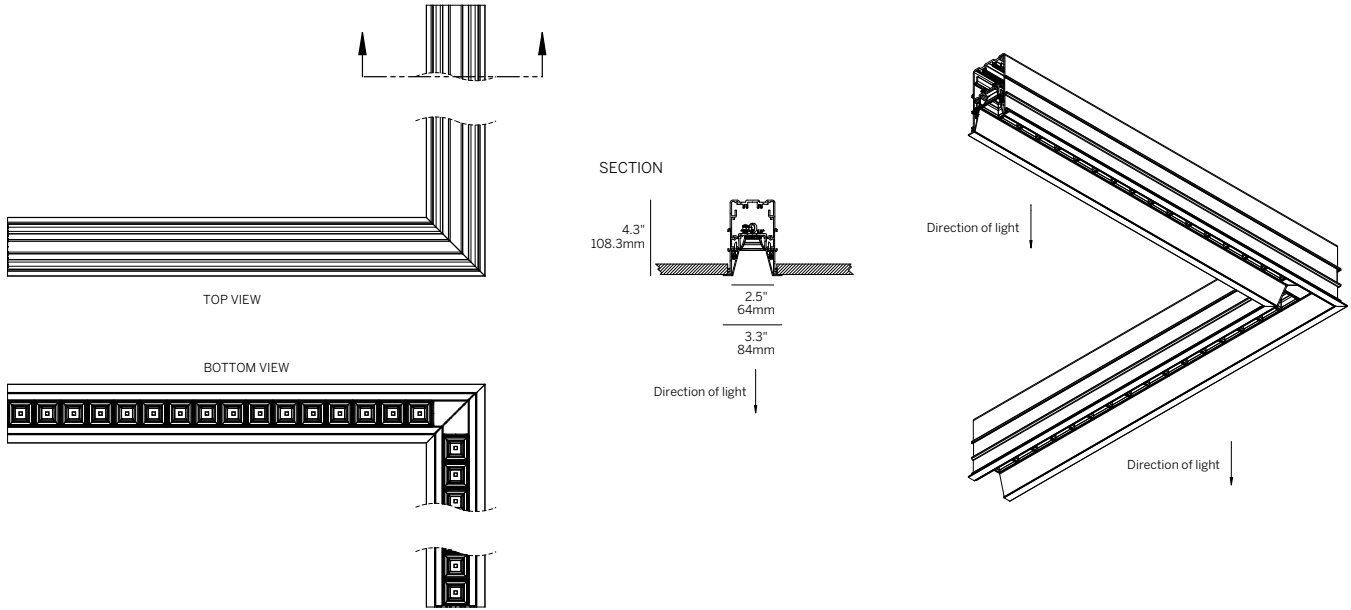
Minimum Angle 45°
Maximum Angle 180°

ProTools 60 Linear Downlight Recessed

BEZEL TRIM / GRID TRIM

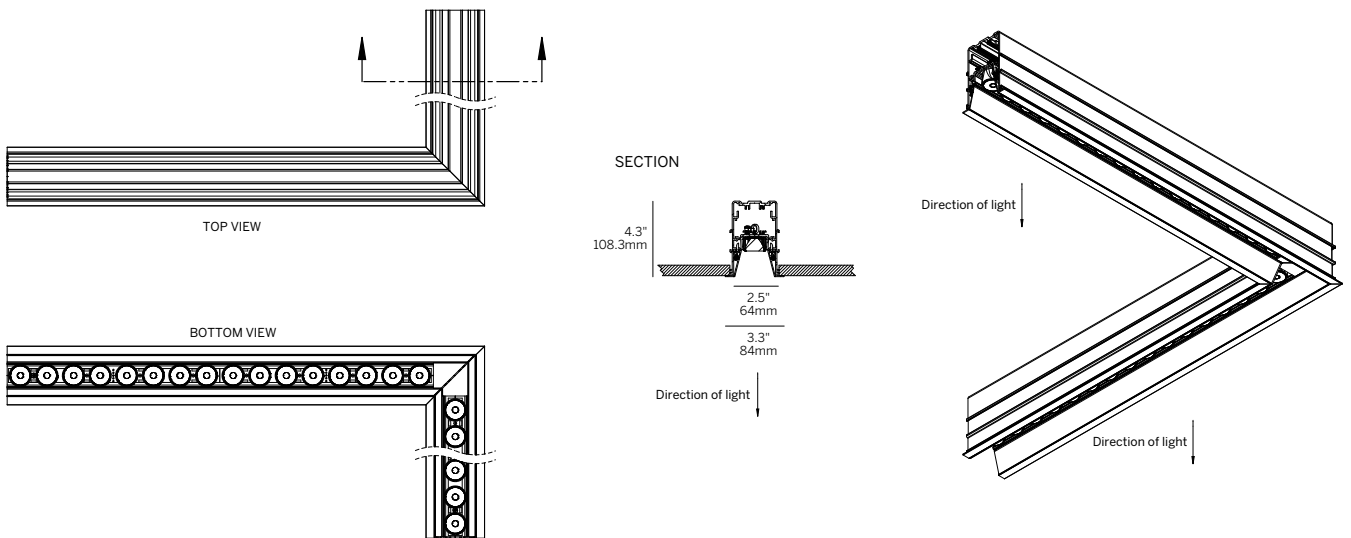
PATTERN CORNER (P)

WG-60PTL-[RBT / RGT9 / RGT15]-P-RLW/RLB



PATTERN CORNER (P)

WG-60PTL-[RBT / RGT9 / RGT15]-P-RNO

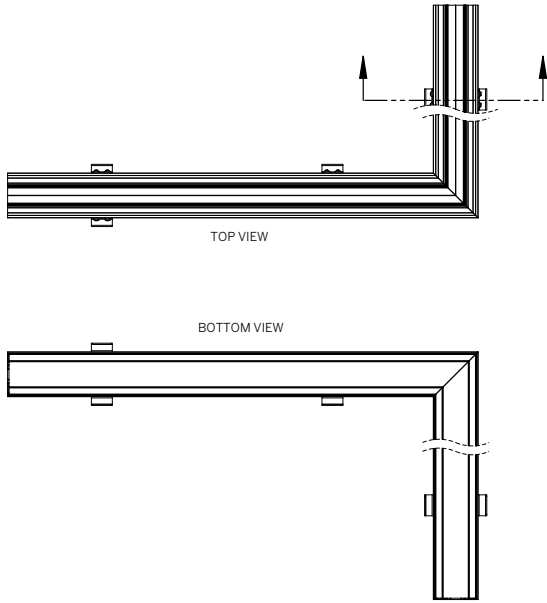


ProTools 60 Linear Downlight Recessed

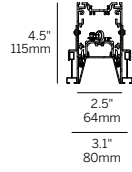
GRID TRIM (SLOT)

PATTERN CORNER (P)

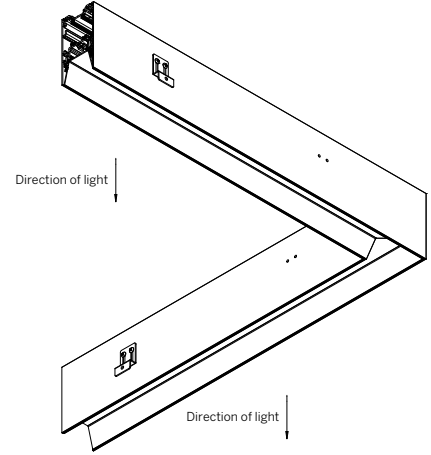
WG-60PTL-RGTS-P-RML



SECTION



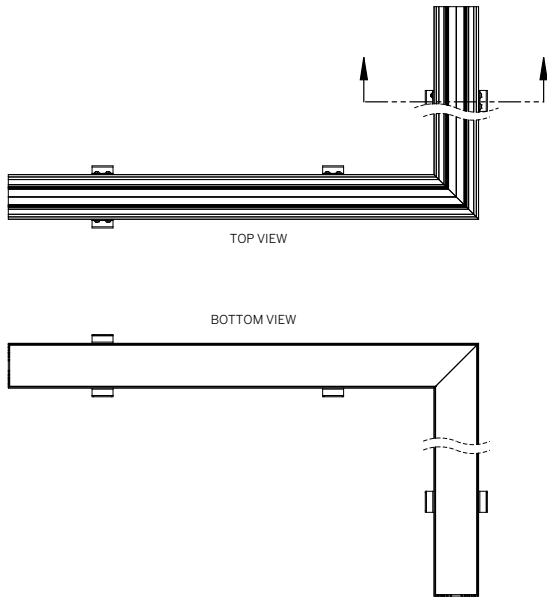
Direction of light ↓



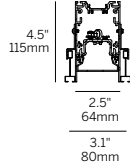
Minimum Angle 45°
Maximum Angle 180°

PATTERN CORNER (P)

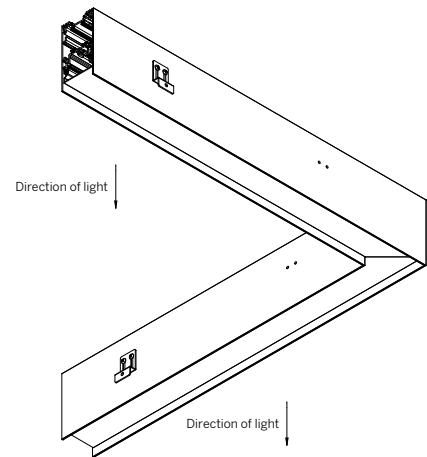
WG-60PTL-RGTS-P-ROL



SECTION



Direction of light ↓



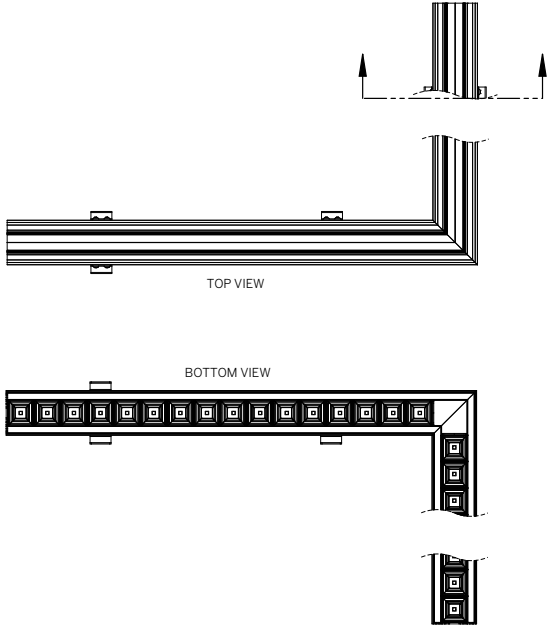
Minimum Angle 45°
Maximum Angle 180°

ProTools 60 Linear Downlight Recessed

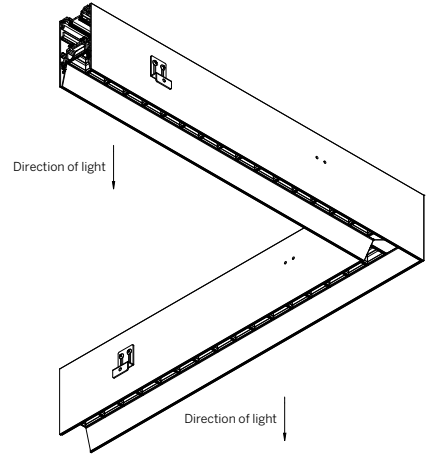
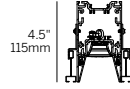
GRID TRIM (SLOT)

PATTERN CORNER (P)

WG-60PTL-RGTS-P-RLW/RLB

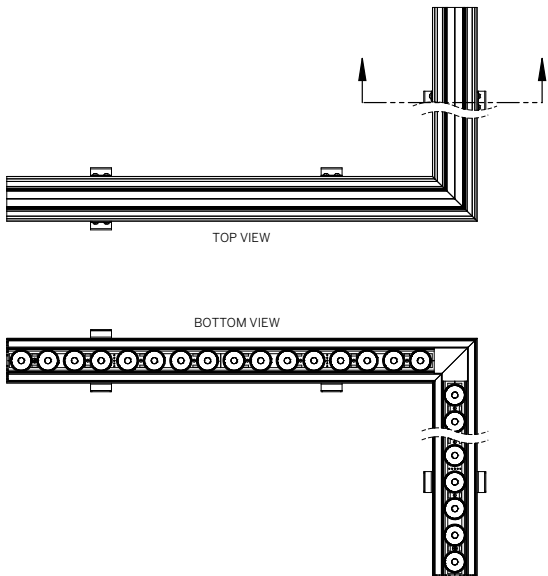


SECTION

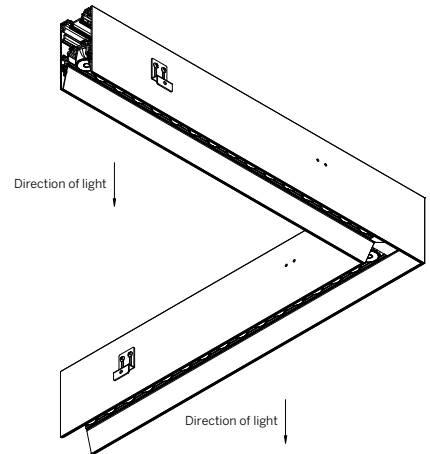
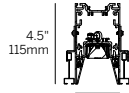


PATTERN CORNER (P)

WG-60PTL-RGTS-P-RNO

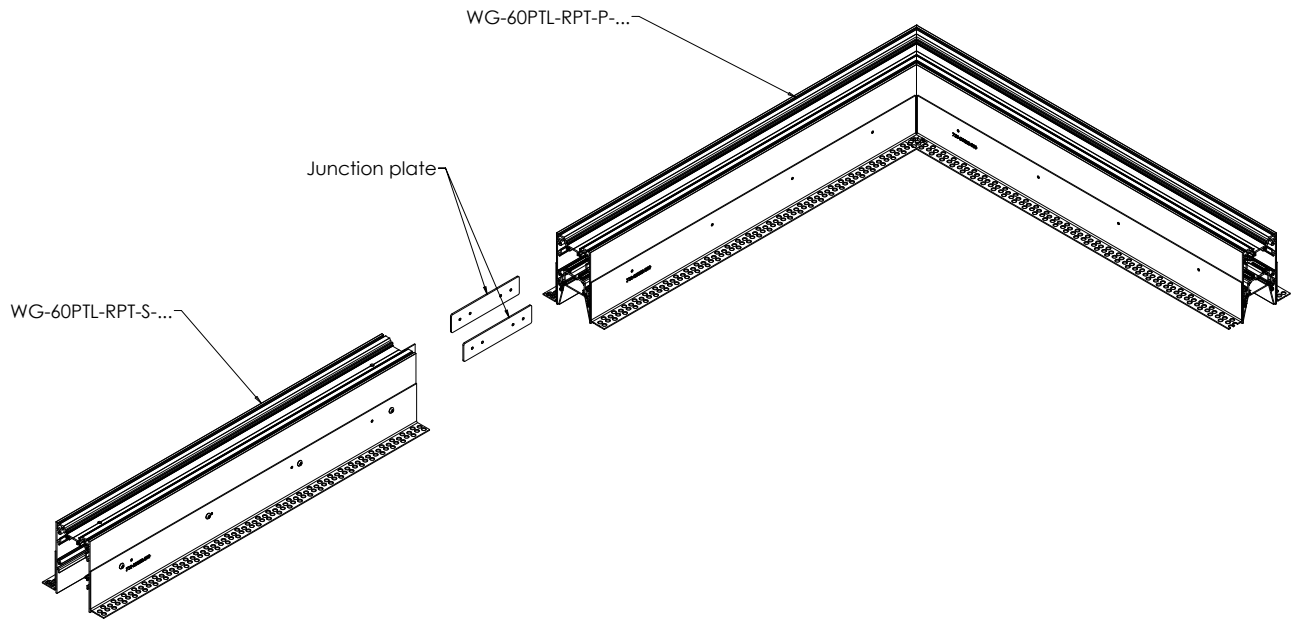


SECTION



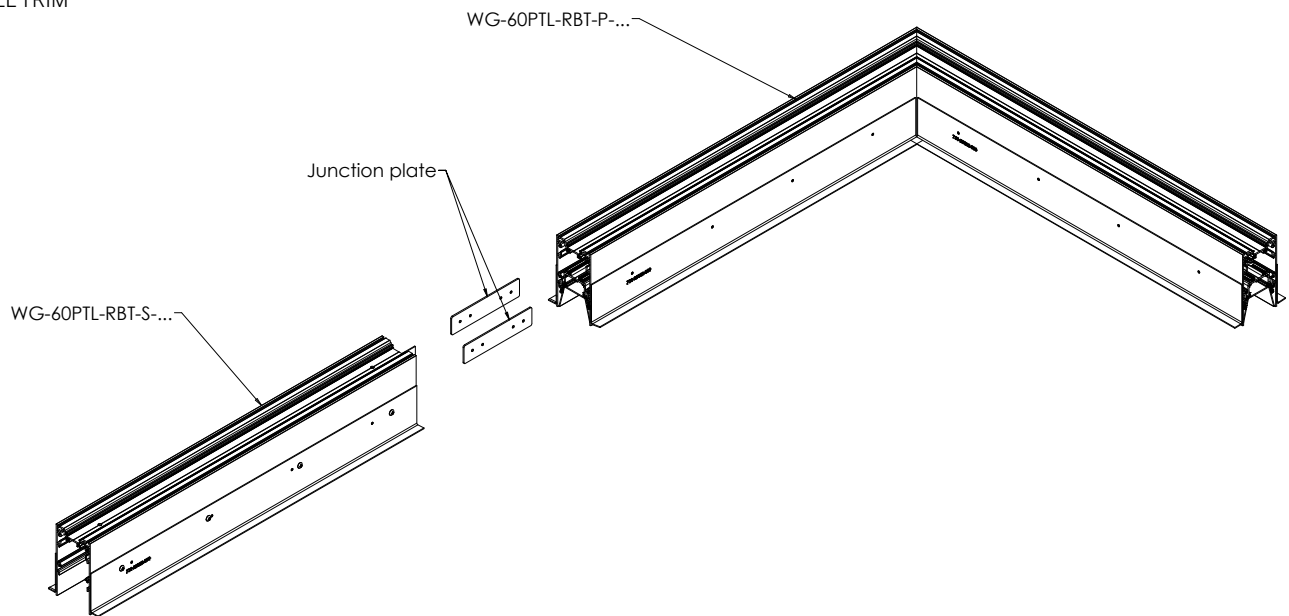
CORNER + STRAIGHT RUN CONNECTIONS

RECESSED PLASTER TRIM



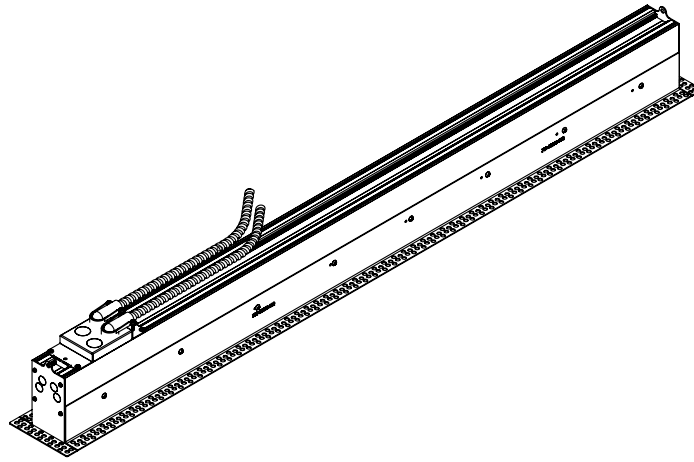
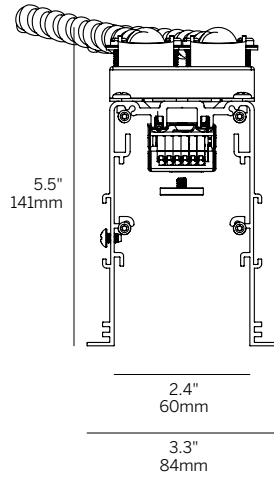
CORNER + STRAIGHT RUN CONNECTIONS

RECESSED BEZEL TRIM

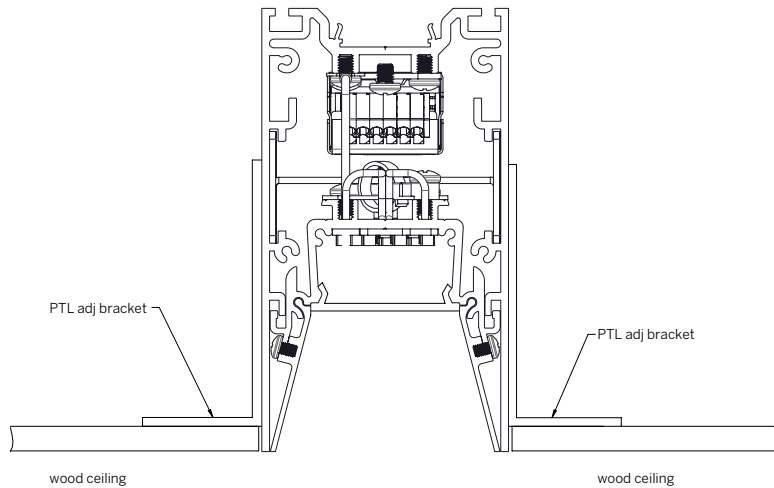


ProTools 60 Linear Downlight Recessed

CHICAGO PLENUM

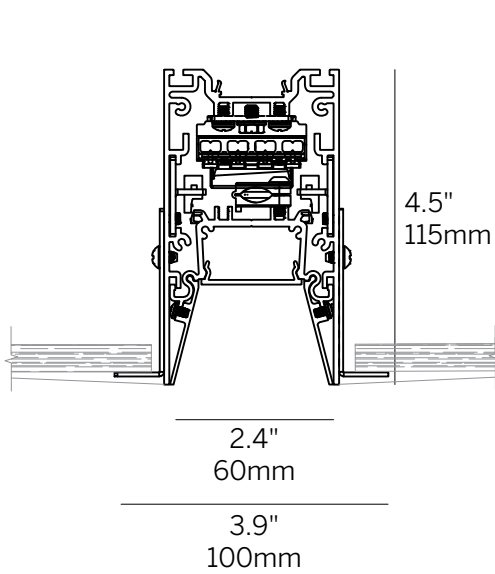


WOOD CEILING

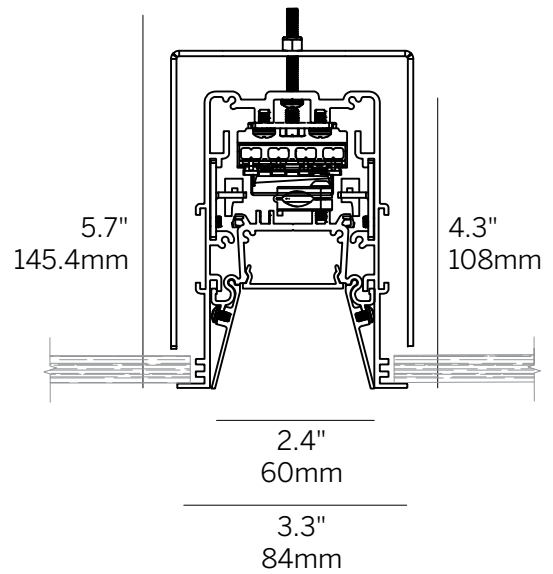


ProTools 60 Linear Downlight Recessed

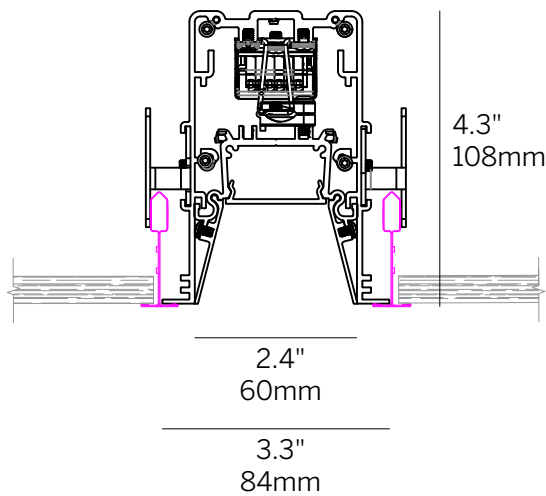
PROFILE DIMENSIONS



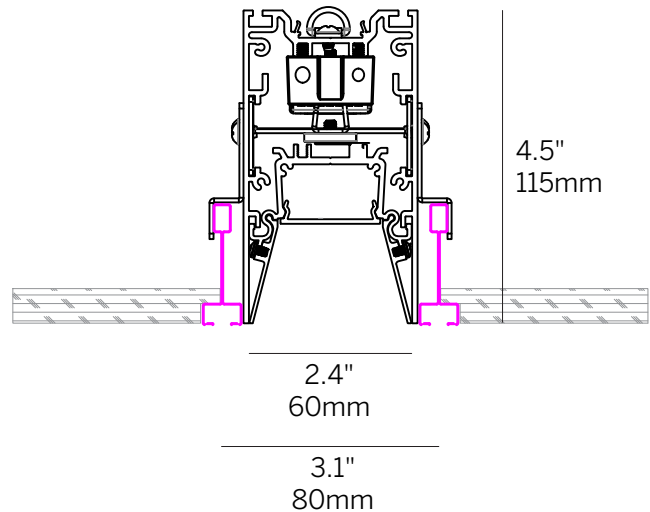
Recessed Plaster Trim
(RPT)



Recessed Bezel Trim
(RBT)

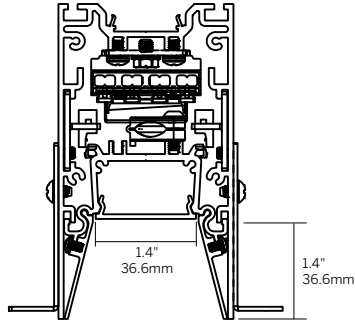


Recessed Grid Trim
9/16 (RGT9) / 15/16 (RGT15)

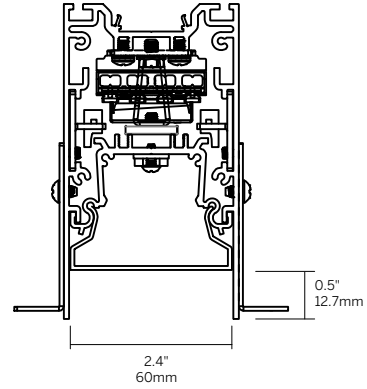


Recessed Trim for Slot Grid
(RGTS)

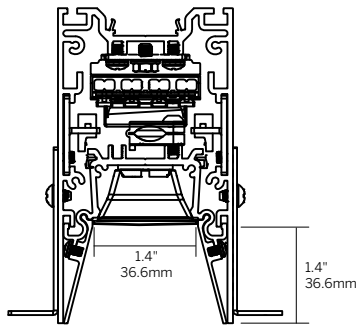
LENS / LOUVER DIMENSIONS



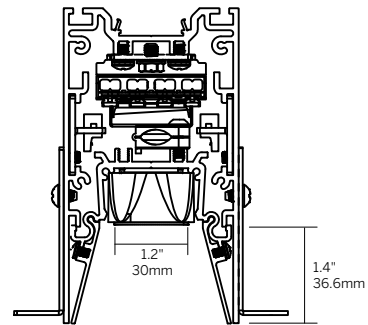
Recessed Micro-Prismatic Lens (RML)



Regressed Opal Lens (ROL)



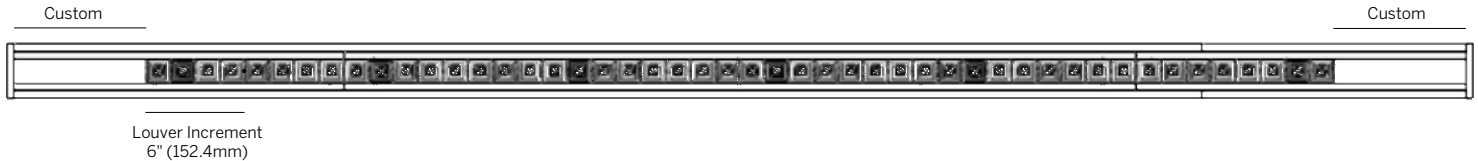
Recessed Louver Black (RLB)
Recessed Louver White (RLW)



Recessed Narrow Optic (RNO)

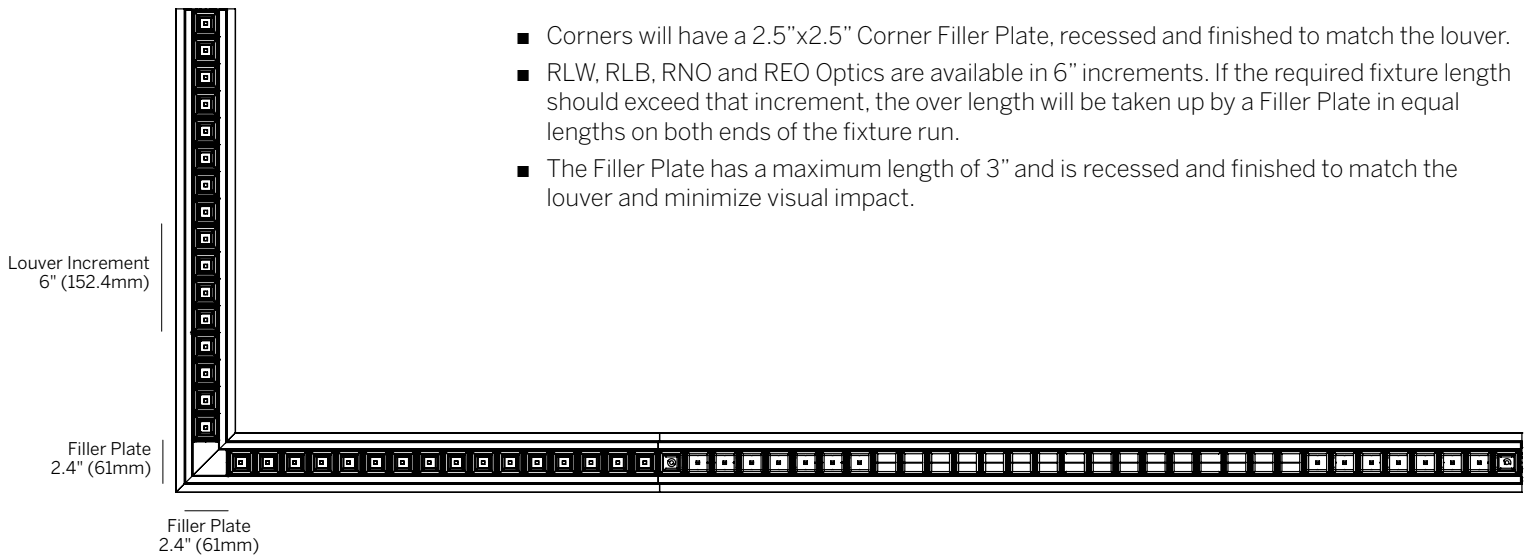
FILLER PLATE STRAIGHT RUN / LOUVER

- RLW, RLB, RNO and REO Optics are available in 6" increments. If the required fixture length should exceed that increment, the over length will be taken up by a Filler Plate in equal lengths on both ends of the fixture run.
- The Filler Plate is recessed and finished to match the louver and minimize visual impact.



FILLER PLATE CORNER CONFIGURATION / LOUVER

- Corners will have a 2.5"x2.5" Corner Filler Plate, recessed and finished to match the louver.
- RLW, RLB, RNO and REO Optics are available in 6" increments. If the required fixture length should exceed that increment, the over length will be taken up by a Filler Plate in equal lengths on both ends of the fixture run.
- The Filler Plate has a maximum length of 3" and is recessed and finished to match the louver and minimize visual impact.



FILLER PLATE MULTI-CORNER / LOUVER

- Corners will have a 2.4"x2.4" Corner Filler Plate recessed and finished to match the louver.
- RLW, RLB, RNO and REO Optics are available in 6" increments. If the required fixture length should exceed that increment, the over length will be taken up by a Filler Plate in equal lengths on both ends of the fixture run.
- The Filler Plate is recessed and finished to match the louver and minimize visual impact.

