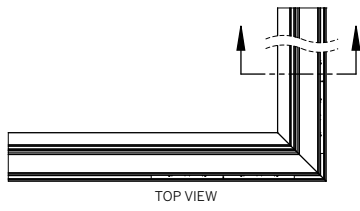


# ProTools 60 Linear Perimeter

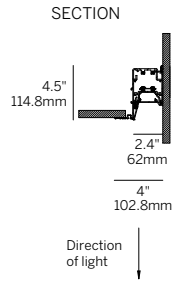
## PLASTER TRIM

### INSIDE CORNER (PI)

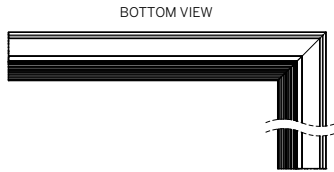
WG-60PTLP-RPT-PI-RML



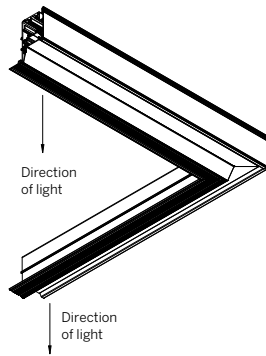
TOP VIEW



SECTION



BOTTOM VIEW

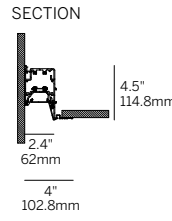


Direction of light

Direction of light

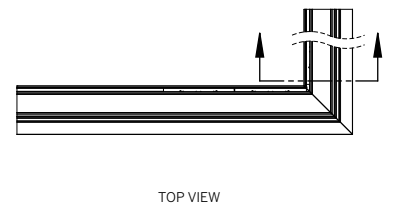
### OUTSIDE CORNER (PO)

WG-60PTLP-RPT-PO-RML

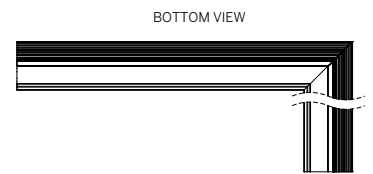


SECTION

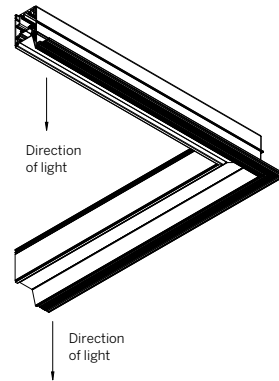
Direction of light



TOP VIEW



BOTTOM VIEW



Direction of light

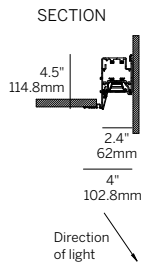
Direction of light

### INSIDE CORNER (PI)

WG-60PTLP-RPT-PI-RLW/RLB

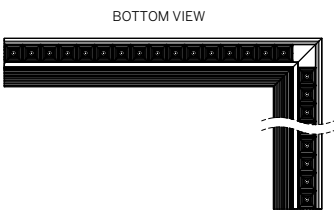


TOP VIEW

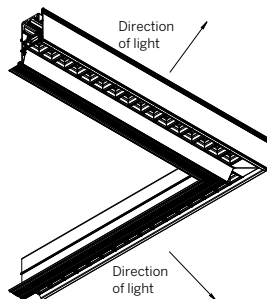


SECTION

Direction of light



BOTTOM VIEW

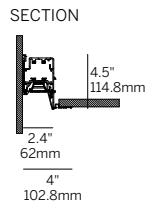


Direction of light

Direction of light

### OUTSIDE CORNER (PO)

WG-60PTLP-RPT-PO-RLW/RLB

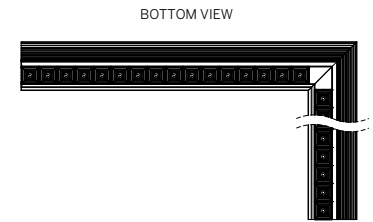


SECTION

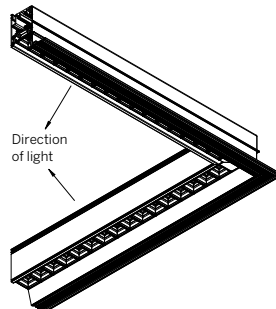
Direction of light



TOP VIEW



BOTTOM VIEW



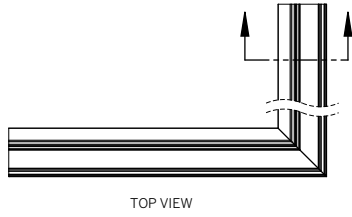
Direction of light

# ProTools 60 Linear Perimeter

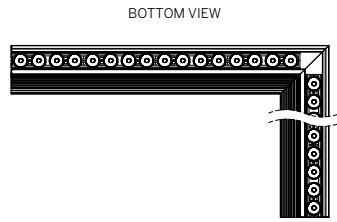
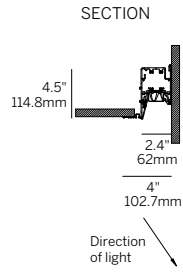
## PLASTER TRIM

### INSIDE CORNER (PI)

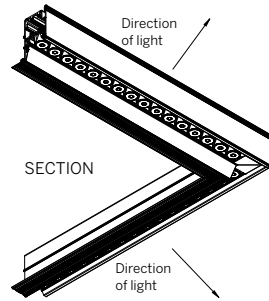
WG-60PTLP-RPT-PI-REO



TOP VIEW



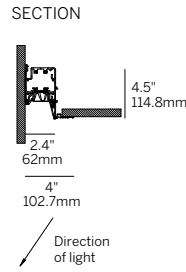
BOTTOM VIEW



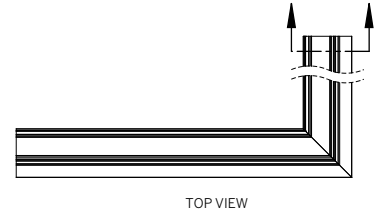
SECTION

### OUTSIDE CORNER (PO)

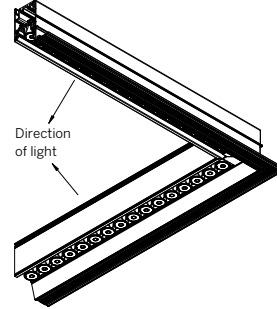
WG-60PTLP-RPT-PO-REO



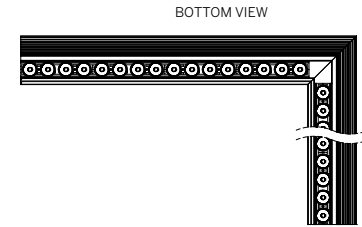
SECTION



TOP VIEW



SECTION

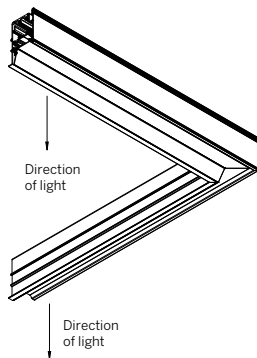
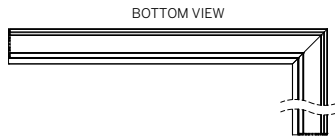
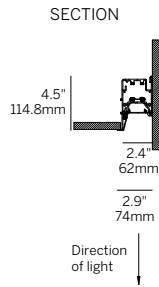
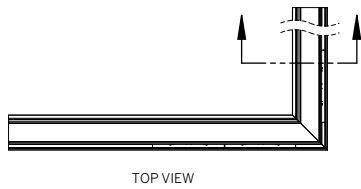


BOTTOM VIEW

## BEZEL TRIM / GRID TRIM

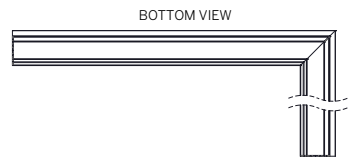
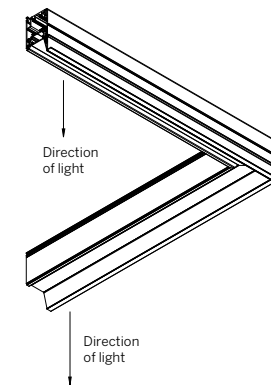
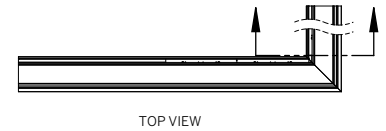
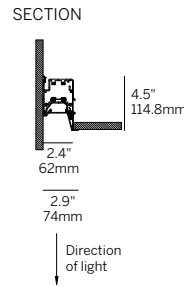
### INSIDE CORNER (PI)

WG-60PTLP-[RBT / RGT9 / RGT15]-PI-RML



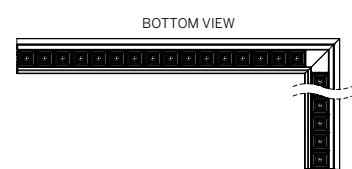
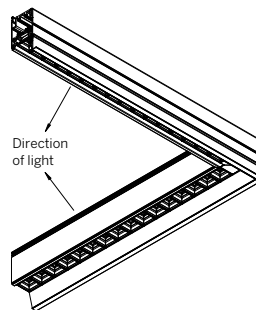
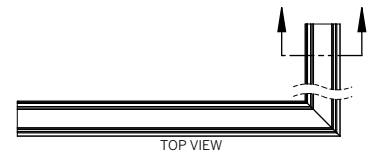
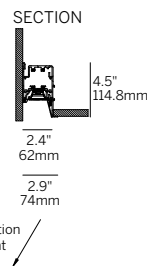
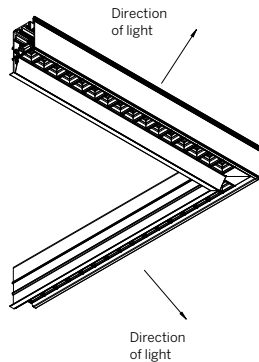
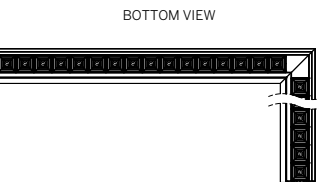
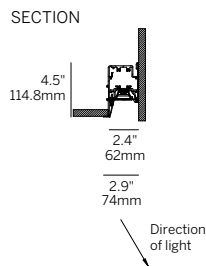
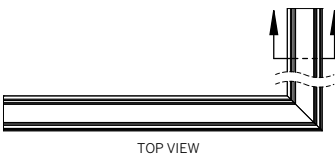
### OUTSIDE CORNER (PO)

WG-60PTLP-[RBT / RGT9 / RGT15]-PO-RML



### INSIDE CORNER (PI)

WG-60PTLP-[RBT / RGT9 / RGT15]-PI-RLW/RLB



# ProTools 60 Linear Perimeter

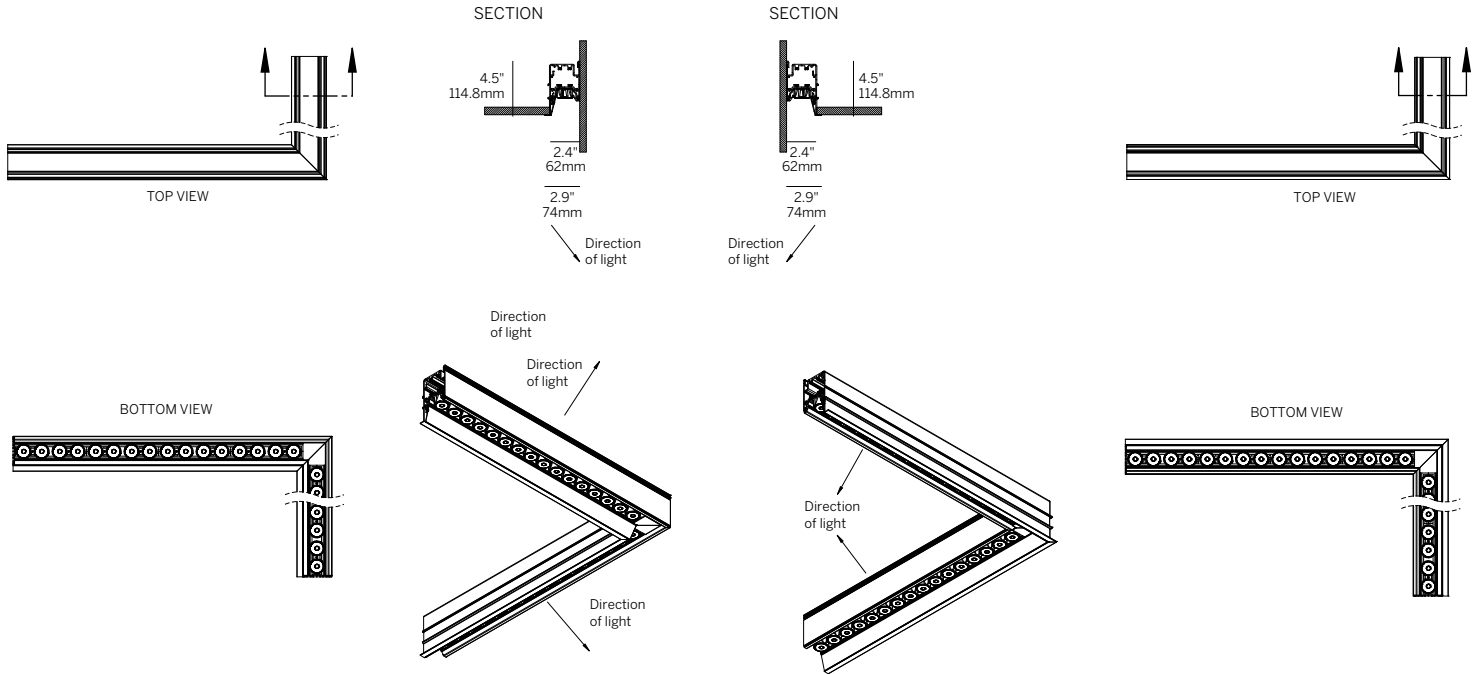
## BEZEL TRIM / GRID TRIM

### INSIDE CORNER (PI)

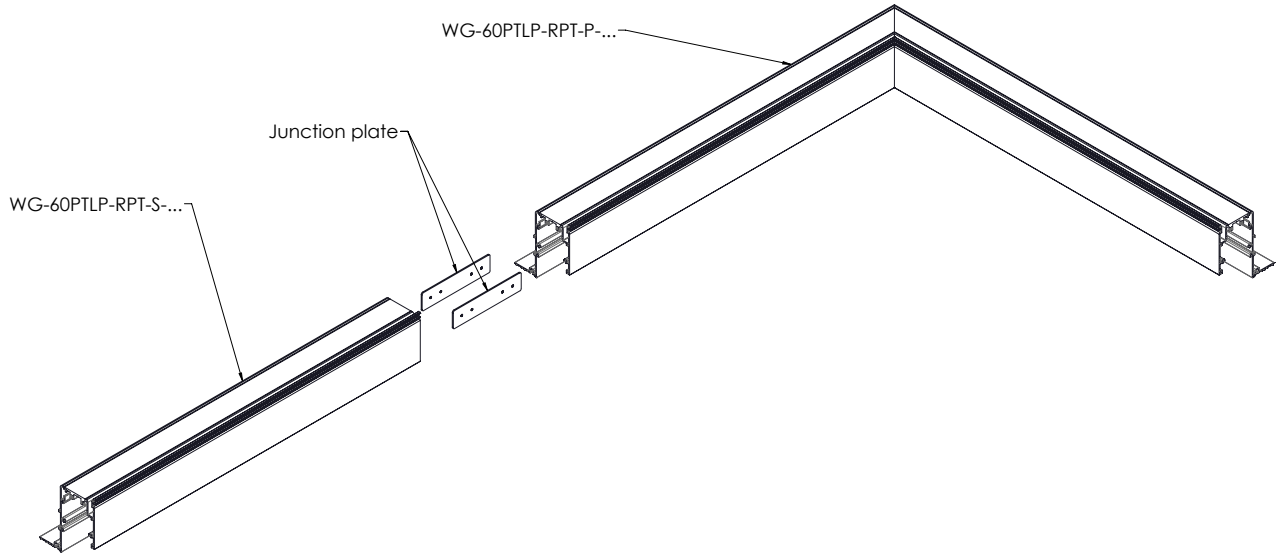
WG-60PTLP-[RBT / RGT9 / RGT15]-PI-REO

### OUTSIDE CORNER (PO)

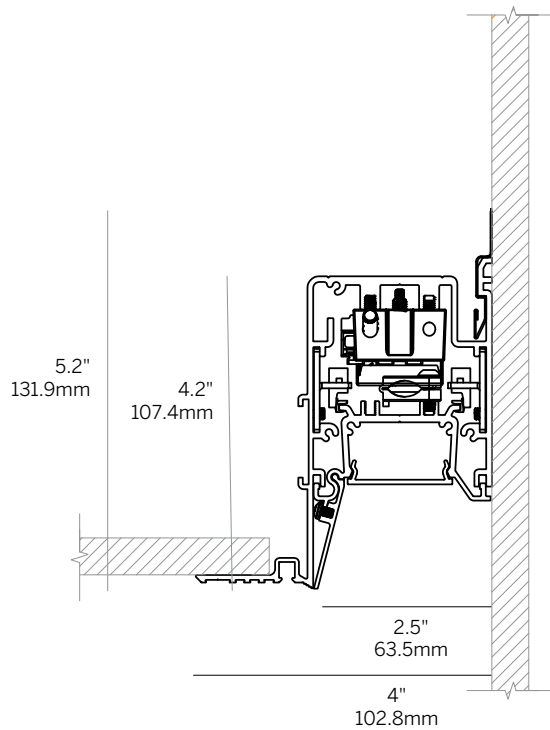
WG-60PTLP-[RBT / RGT9 / RGT15]-PO-REO



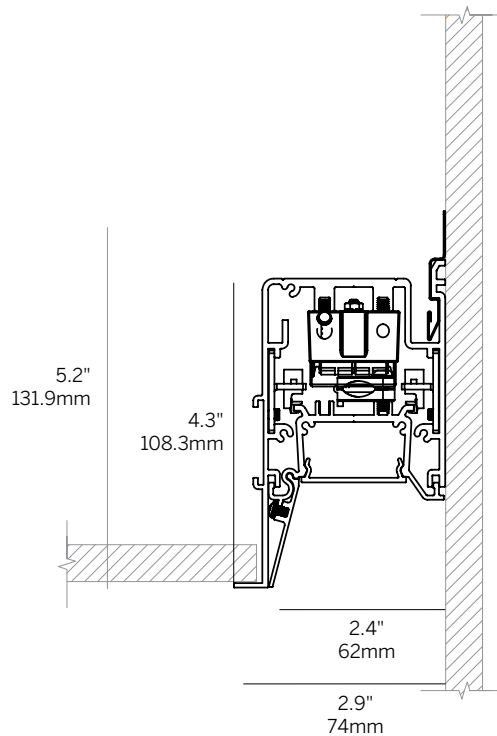
## CORNER + STRAIGHT RUN CONNECTIONS



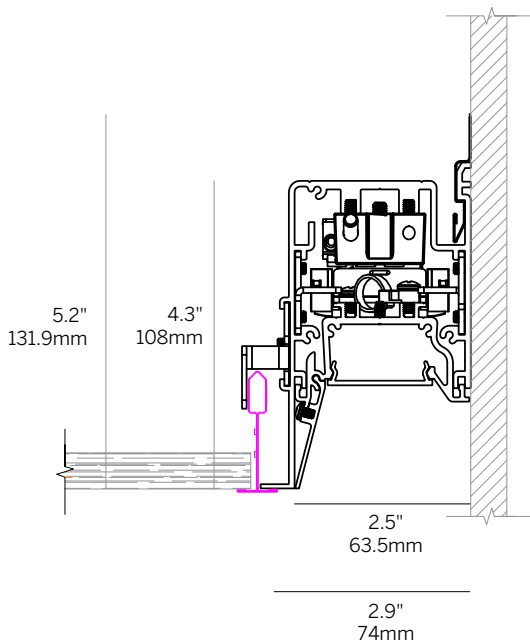
## PROFILE DIMENSIONS



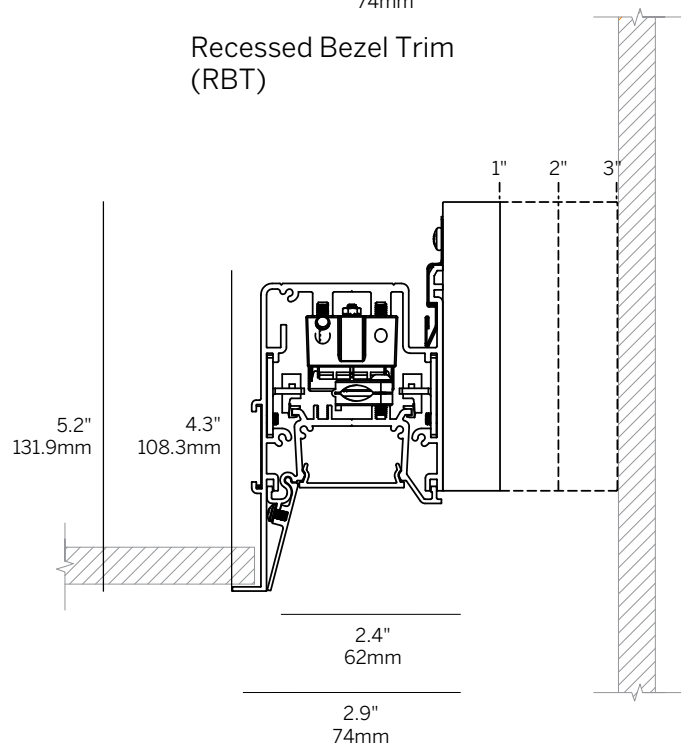
Recessed Plaster Trim (RPT)



Recessed Bezel Trim (RBT)

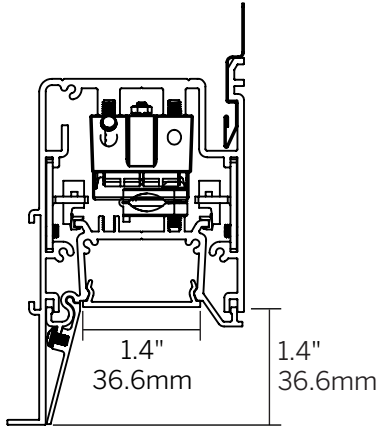


Recessed Grid Trim 9/16 (RGT9) / 15/16 (RGT15)

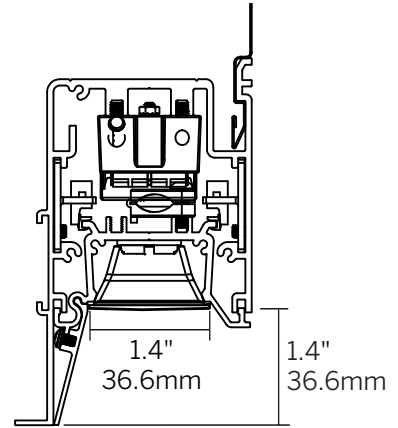


Soft Graze: 1" 2" 3" (SG1, SG2, SG3)

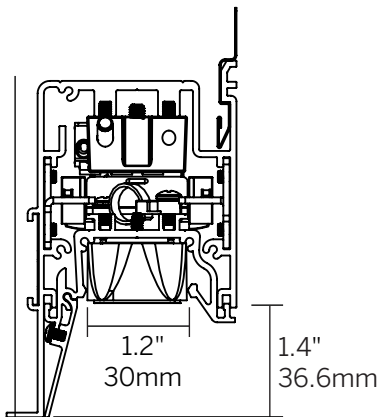
## LENS / LOUVER DIMENSIONS



Recessed Micro-Prismatic Lens (RML)



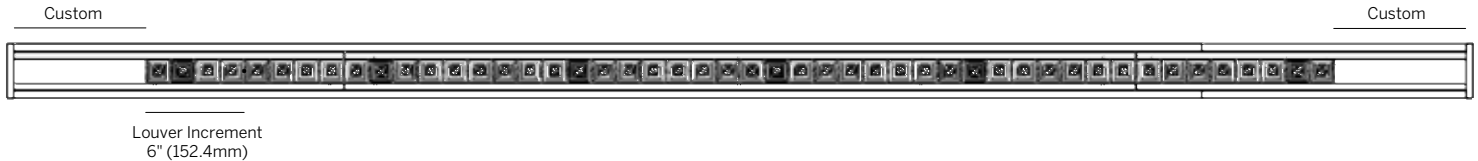
Recessed Louver Black (RLB)  
Recessed Louver White (RLW)



Recessed Elliptical Optic (REO)

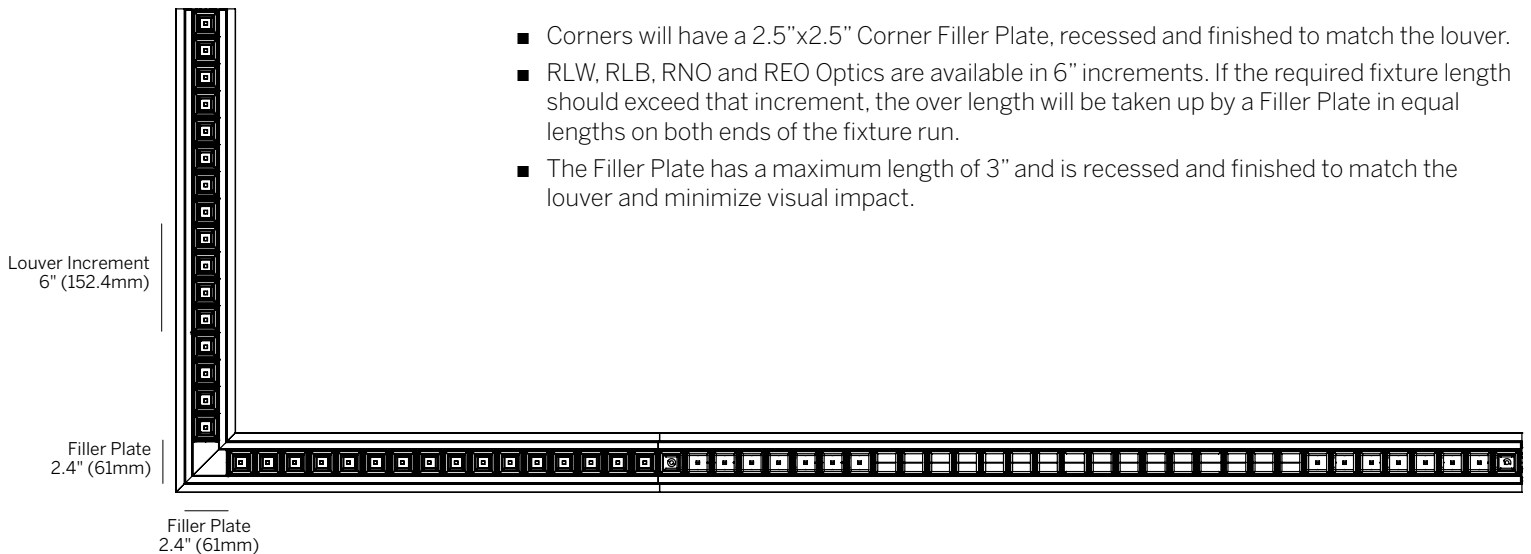
## FILLER PLATE STRAIGHT RUN / LOUVER

- RLW, RLB, RNO and REO Optics are available in 6" increments. If the required fixture length should exceed that increment, the over length will be taken up by a Filler Plate in equal lengths on both ends of the fixture run.
- The Filler Plate is recessed and finished to match the louver and minimize visual impact.



## FILLER PLATE CORNER CONFIGURATION / LOUVER

- Corners will have a 2.5"x2.5" Corner Filler Plate, recessed and finished to match the louver.
- RLW, RLB, RNO and REO Optics are available in 6" increments. If the required fixture length should exceed that increment, the over length will be taken up by a Filler Plate in equal lengths on both ends of the fixture run.
- The Filler Plate has a maximum length of 3" and is recessed and finished to match the louver and minimize visual impact.





## FILLER PLATE MULTI-CORNER / LOUVER

- Corners will have a 2.4"x2.4" Corner Filler Plate recessed and finished to match the louver.
- RLW, RLB, RNO and REO Optics are available in 6" increments. If the required fixture length should exceed that increment, the over length will be taken up by a Filler Plate in equal lengths on both ends of the fixture run.
- The Filler Plate is recessed and finished to match the louver and minimize visual impact.

