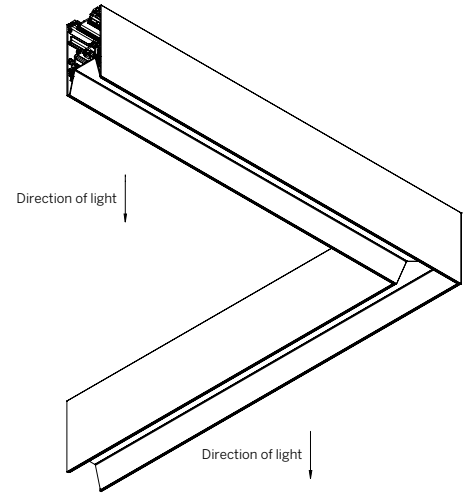
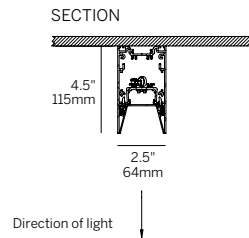
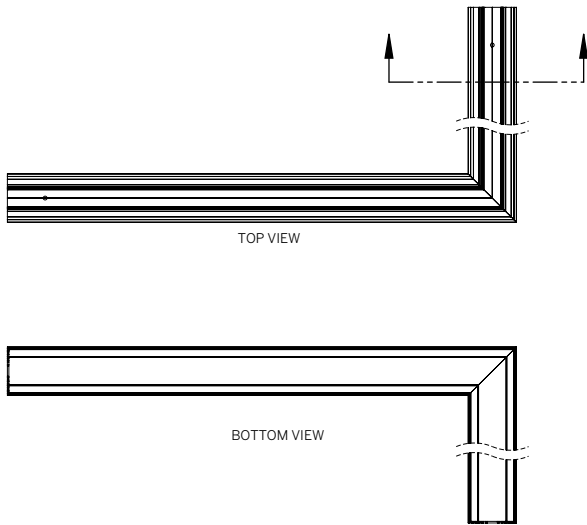


ProTools 60 Linear Surface

PATTERN CORNER (P)

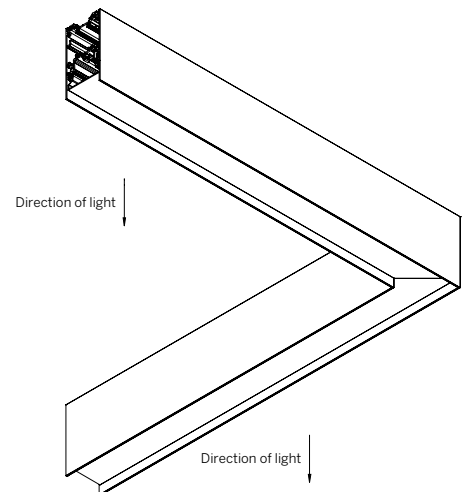
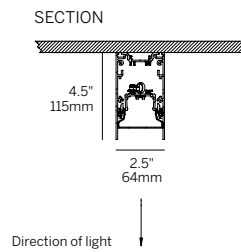
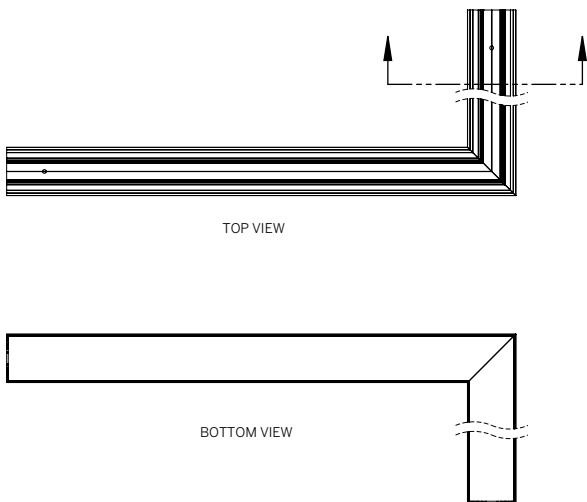
WG-60PTL-SM-P-...-RML



Minimum Angle 45°
Maximum Angle 180°

PATTERN CORNER (P)

WG-60PTL-SM-P-...-ROL

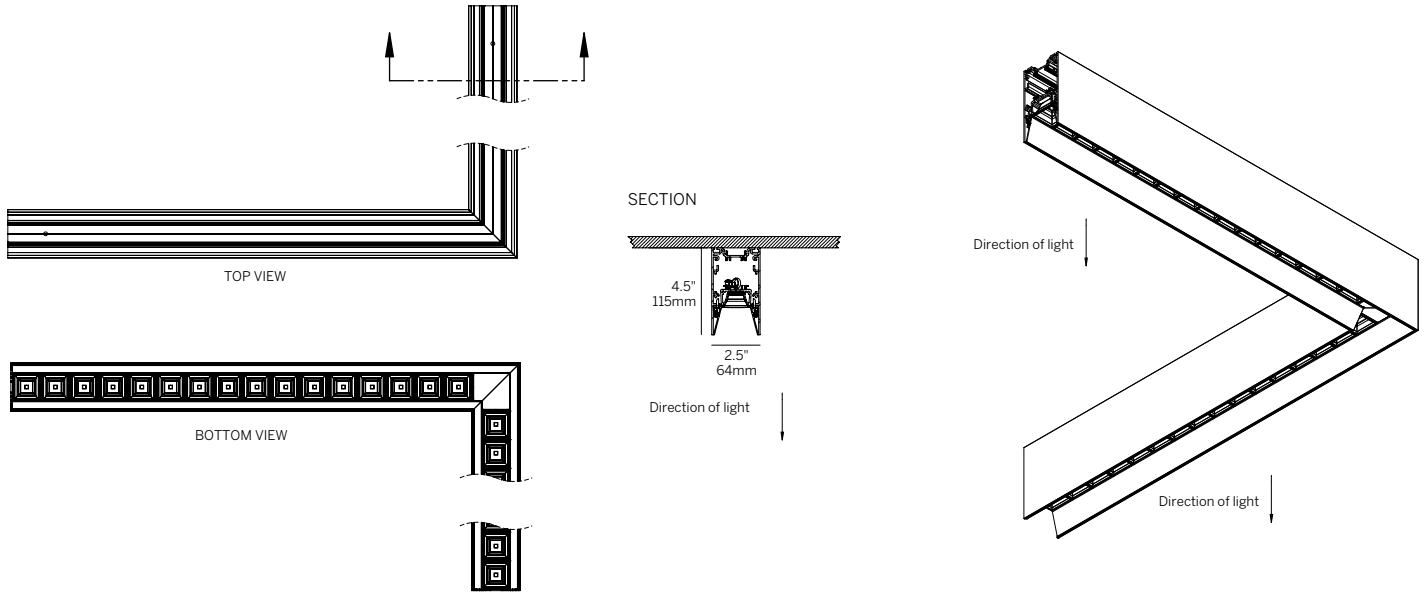


Minimum Angle 45°
Maximum Angle 180°

ProTools 60 Linear Surface

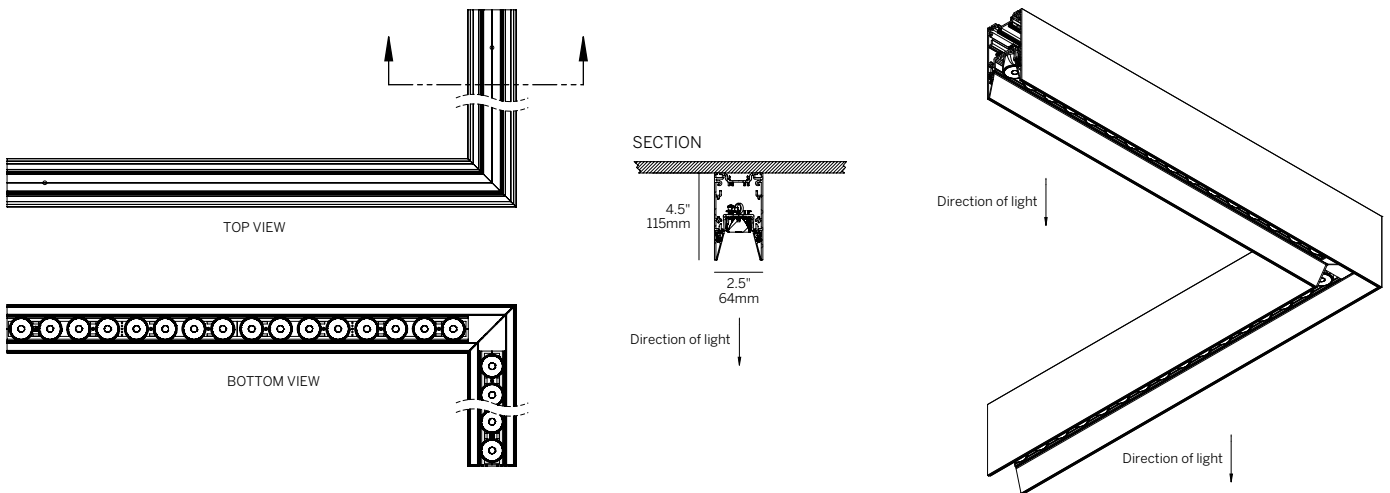
PATTERN CORNER (P)

WG-60PTL-SM-P-...-RLW/RLB



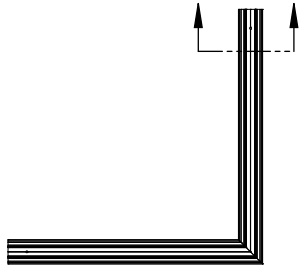
PATTERN CORNER (P)

WG-60PTL-SM-P-...-REO

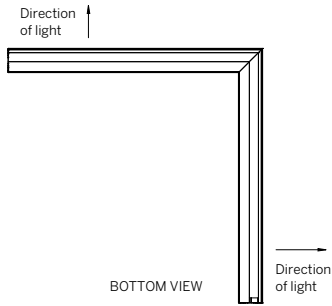


INSIDE CORNER (PI)

WG-60PTLWW-SXX-PI-...-LML-WW-

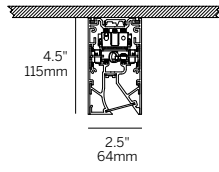


TOP VIEW

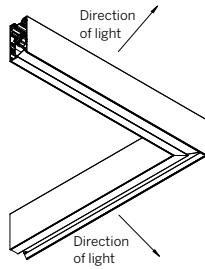


BOTTOM VIEW

SECTION



Direction of light



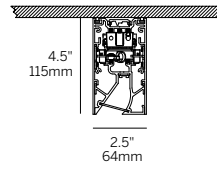
Direction of light

Direction of light

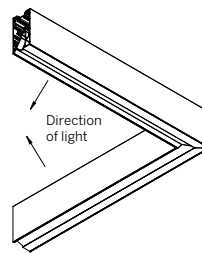
OUTSIDE CORNER (PO)

WG-60PTLWW-SXX-PO-...-LML-WW-

SECTION

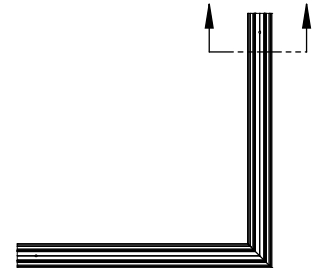


Direction of light

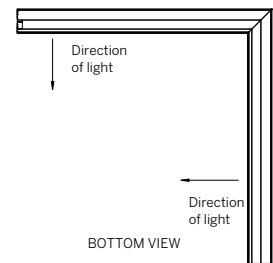


Direction of light

Direction of light



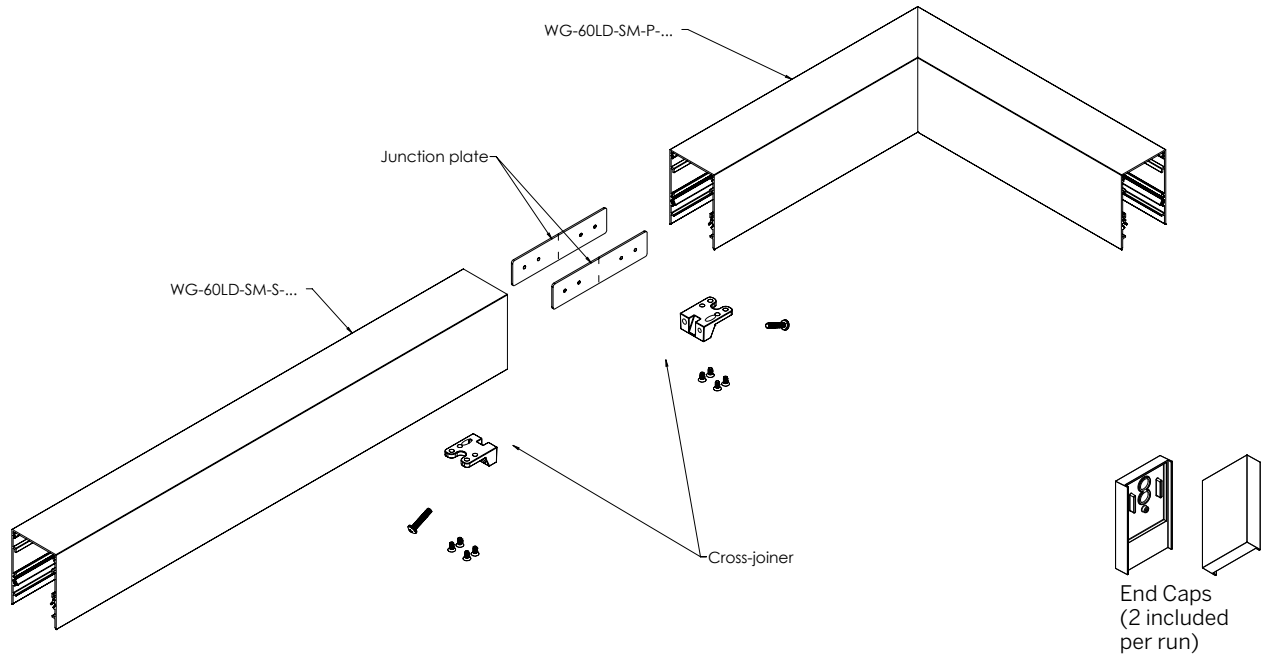
TOP VIEW



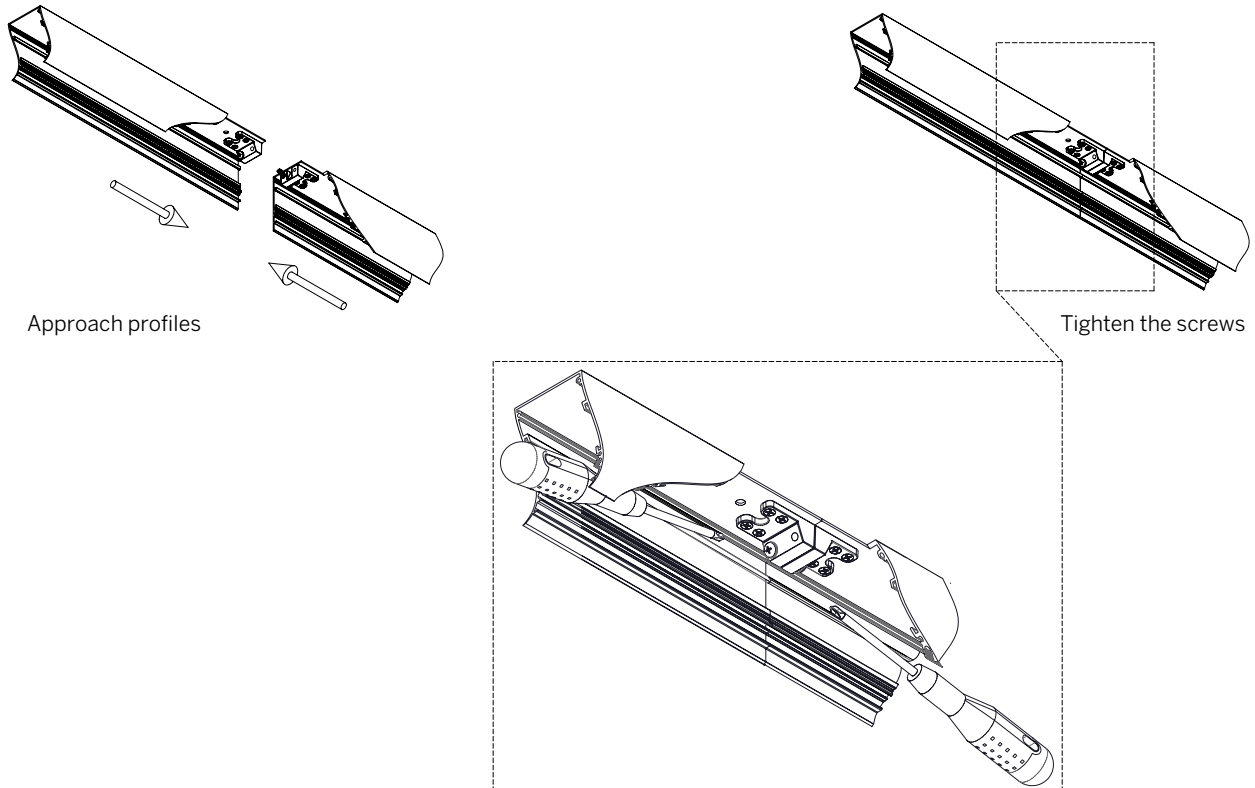
BOTTOM VIEW

Minimum Angle 45°
Maximum Angle 180°

CORNER + STRAIGHT RUN CONNECTIONS

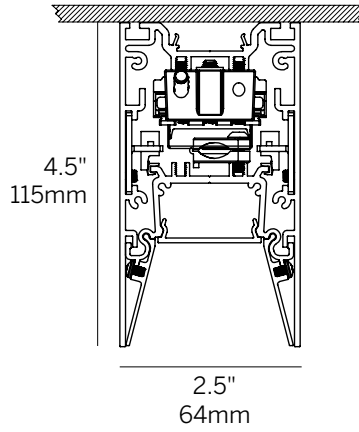


CROSS JOINER

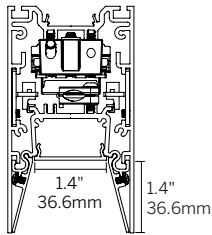


ProTools 60 Linear Surface

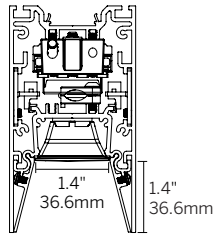
PROFILE DIMENSIONS



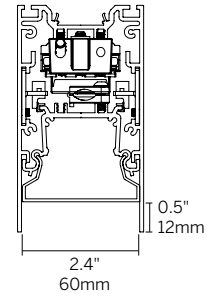
LENS / LOUVER DIMENSIONS



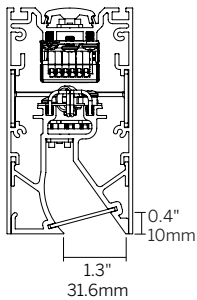
Recessed Micro-prismatic Lens (RML)



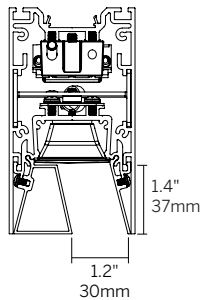
Recessed Louver (RLW, RLB)



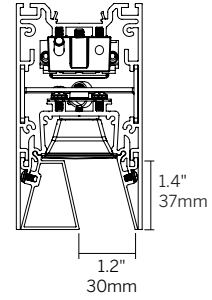
Regressed Opal Lens (ROL)



Recessed Lens + Wall Wash (LML + WW)



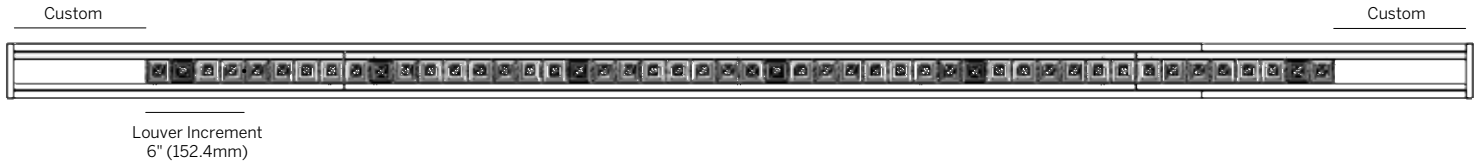
Recessed Louver + Wall Graze (RLW, RLB + WG)



Recessed Elliptical Optic + Wall Graze (REO + WG)

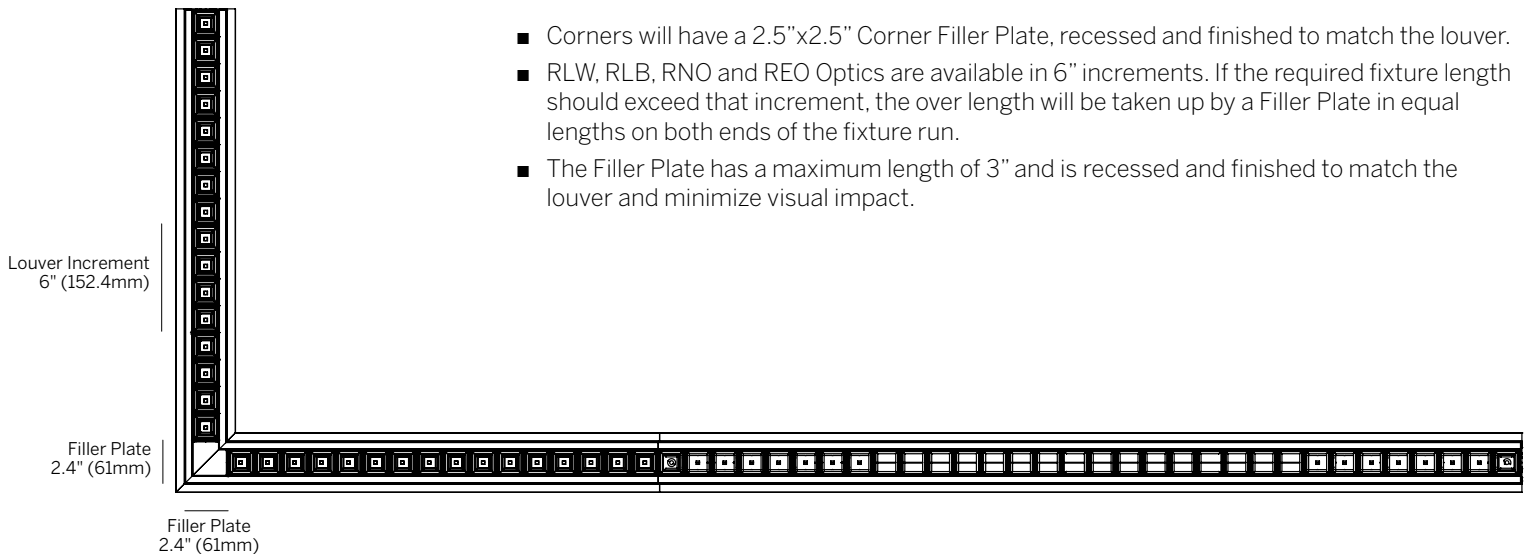
FILLER PLATE STRAIGHT RUN / LOUVER

- RLW, RLB, RNO and REO Optics are available in 6" increments. If the required fixture length should exceed that increment, the over length will be taken up by a Filler Plate in equal lengths on both ends of the fixture run.
- The Filler Plate is recessed and finished to match the louver and minimize visual impact.



FILLER PLATE CORNER CONFIGURATION / LOUVER

- Corners will have a 2.5"x2.5" Corner Filler Plate, recessed and finished to match the louver.
- RLW, RLB, RNO and REO Optics are available in 6" increments. If the required fixture length should exceed that increment, the over length will be taken up by a Filler Plate in equal lengths on both ends of the fixture run.
- The Filler Plate has a maximum length of 3" and is recessed and finished to match the louver and minimize visual impact.



FILLER PLATE MULTI-CORNER / LOUVER

- Corners will have a 2.4"x2.4" Corner Filler Plate recessed and finished to match the louver.
- Available in 6" increments. If the required fixture length should exceed that increment, the over length will be taken up by a Filler Plate in equal lengths on both ends of the fixture run.
- The Filler Plate is recessed and finished to match the louver and minimize visual impact.

