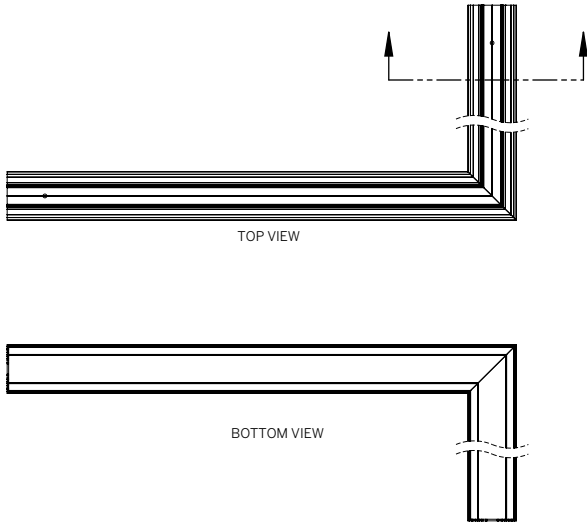


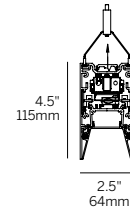
ProTools 60 Linear Direct/Indirect Suspended

PATTERN CORNER (P)

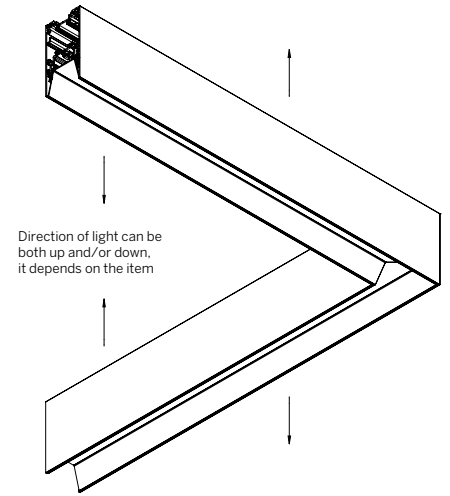
WG-60PTL-SXX-P-...-RML



SECTION



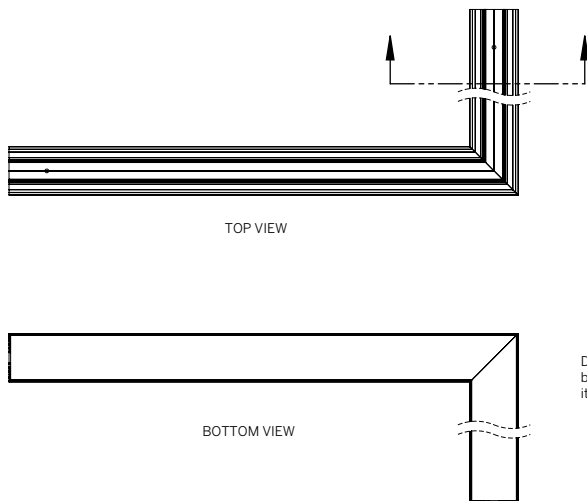
Direction of light can be both up and/or down, it depends on the item



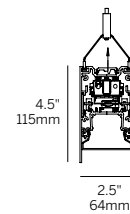
Minimum Angle 45°
Maximum Angle 180°

PATTERN CORNER (P)

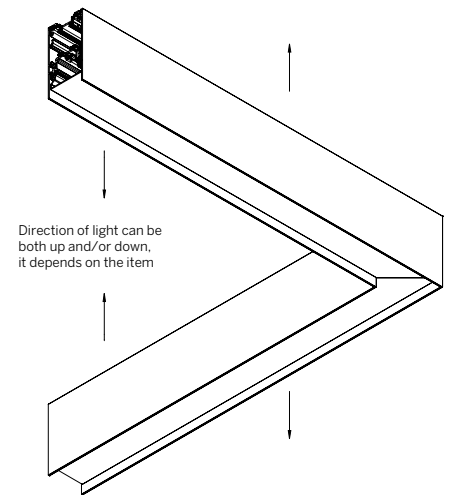
WG-60PTL-SXX-P-...-ROL



SECTION



Direction of light can be both up and/or down, it depends on the item

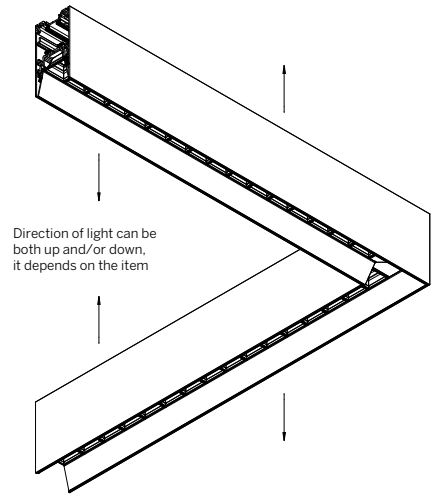
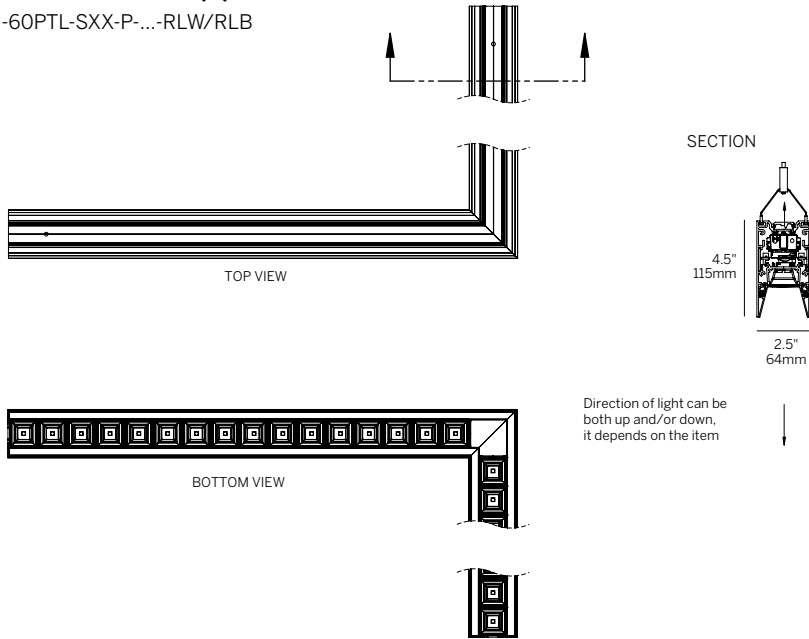


Minimum Angle 45°
Maximum Angle 180°

ProTools 60 Linear Direct / Indirect Suspended

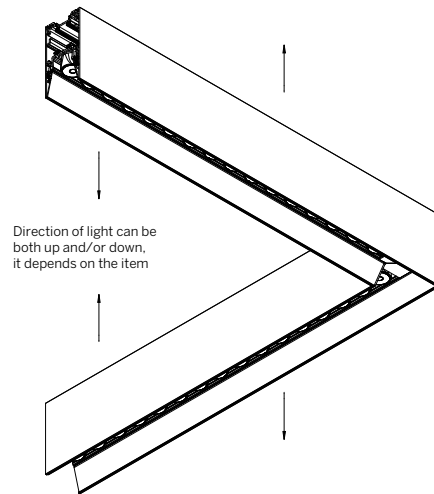
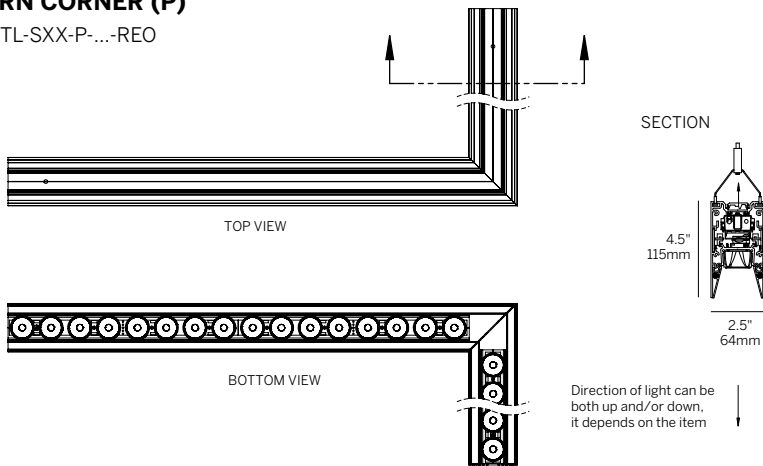
PATTERN CORNER (P)

WG-60PTL-SXX-P-...-RLW/RLB



PATTERN CORNER (P)

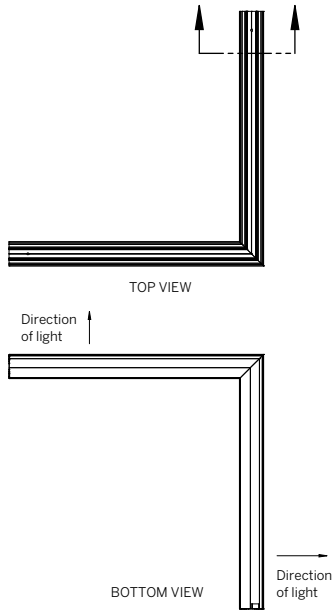
WG-60PTL-SXX-P-...-REO



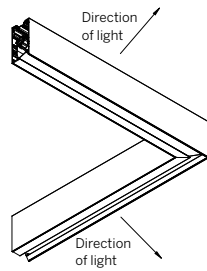
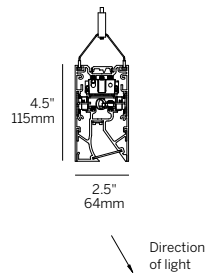
ProTools 60 Linear Direct / Indirect Suspended

INSIDE CORNER (PI)

WG-60PTLWW-SXX-PI-...-LML-WW-



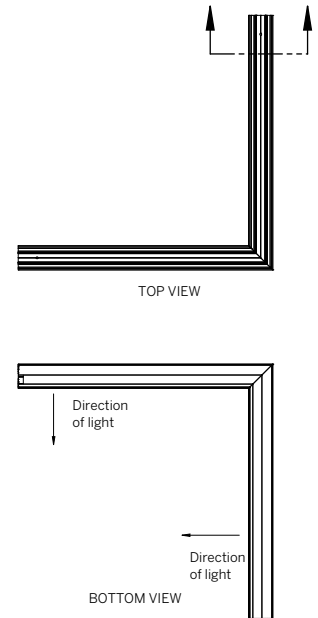
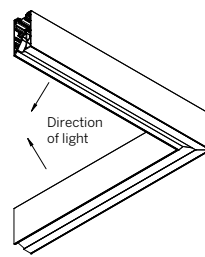
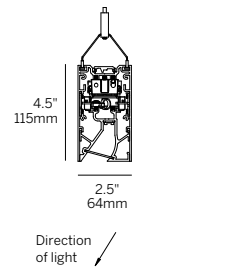
SECTION



OUTSIDE CORNER (PO)

WG-60PTLWW-SXX-PO-...-LML-WW-

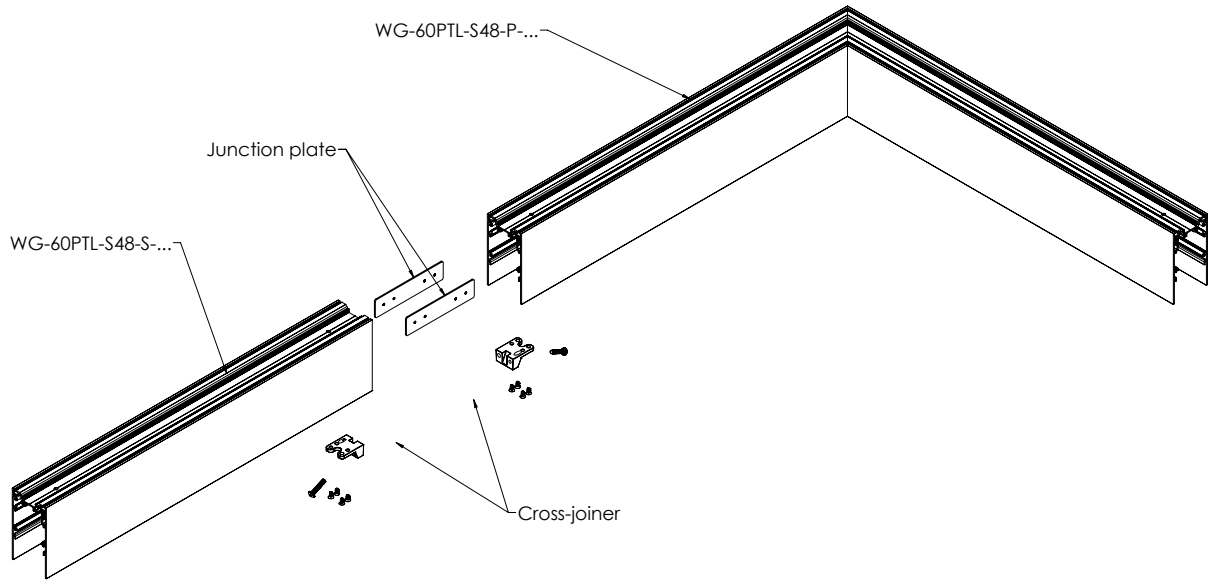
SECTION



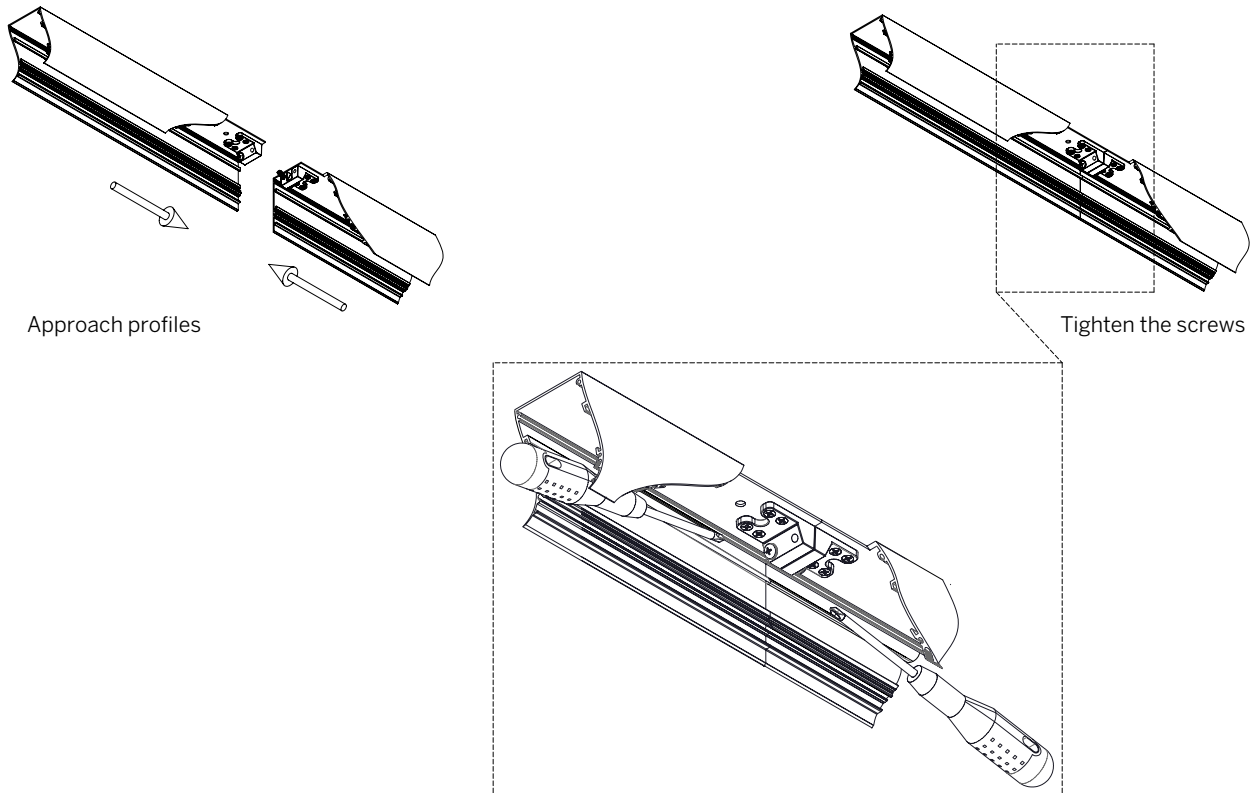
Minimum Angle 45°
Maximum Angle 180°

ProTools 60 Linear Direct / Indirect Suspended

CORNER + STRAIGHT RUN CONNECTIONS



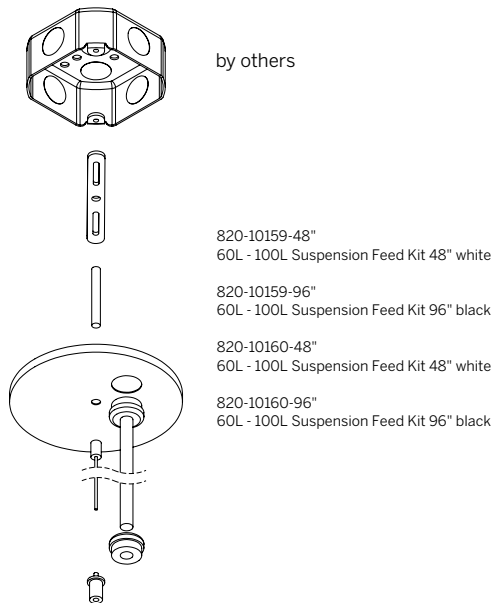
CROSS JOINER



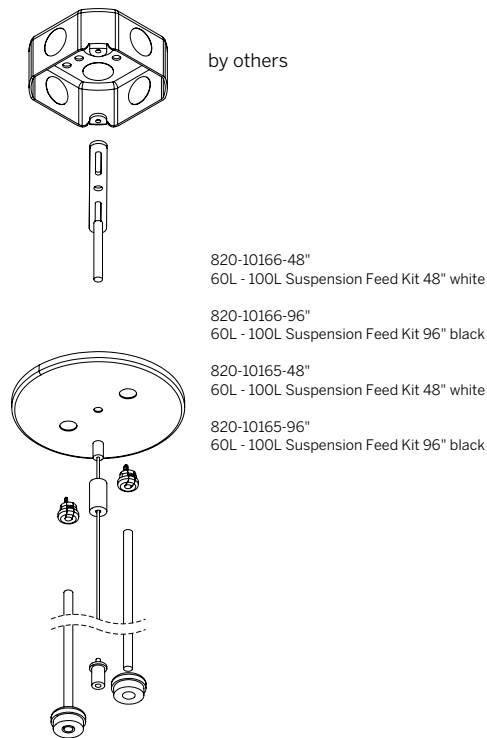
ProTools 60 Linear Direct / Indirect Suspended

MOUNTING / CANOPIES

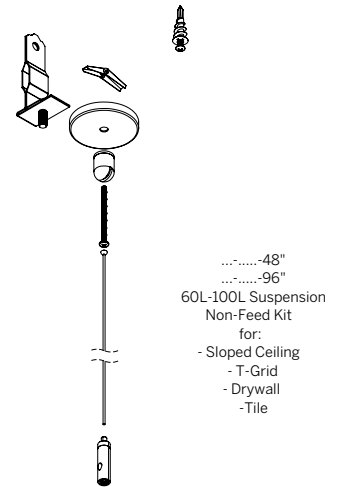
Power + Suspension Canopy
Single Feed



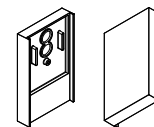
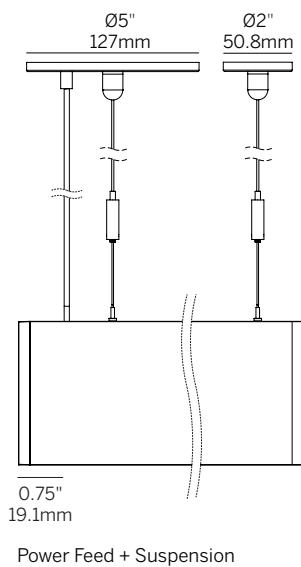
Power + Suspension Canopy
Dual Feed



Suspension Canopy
Non Feed



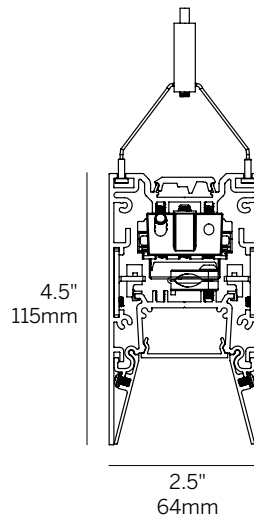
SUSPENSION / MOUNTING



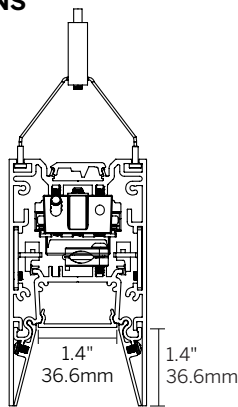
End Caps
(2 included
per run)

ProTools 60 Linear Direct / Indirect Suspended

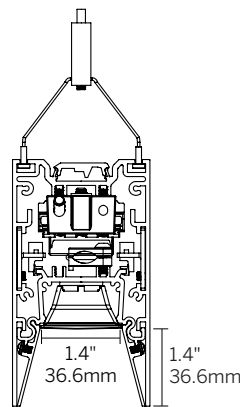
PROFILE DIMENSIONS



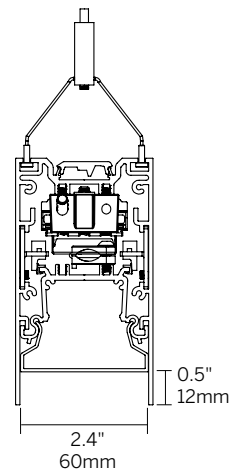
LENS / LOUVER DIMENSIONS



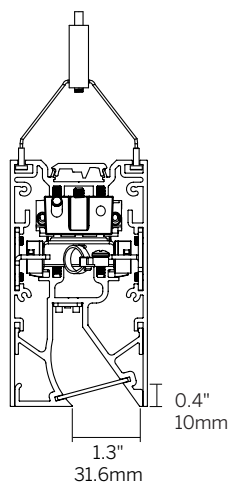
Recessed Micro-prismatic Lens (RML)



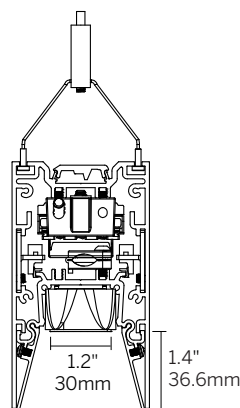
Recessed Louver (RLW, RLB)



Regressed Opal Lens (ROL)



Recessed Lens + Wall Wash (LML + WW)

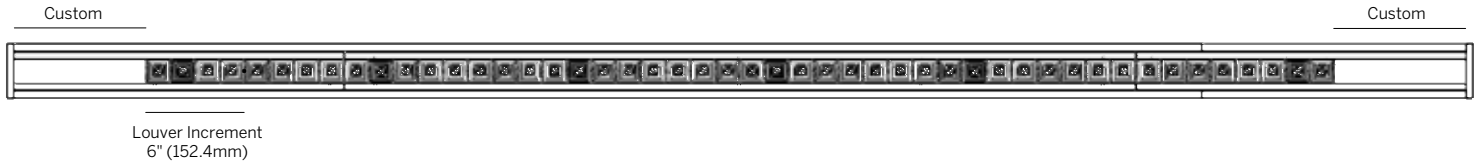


Recessed Narrow Optic (RNO)

ProTools 60 Linear Direct / Indirect Suspended

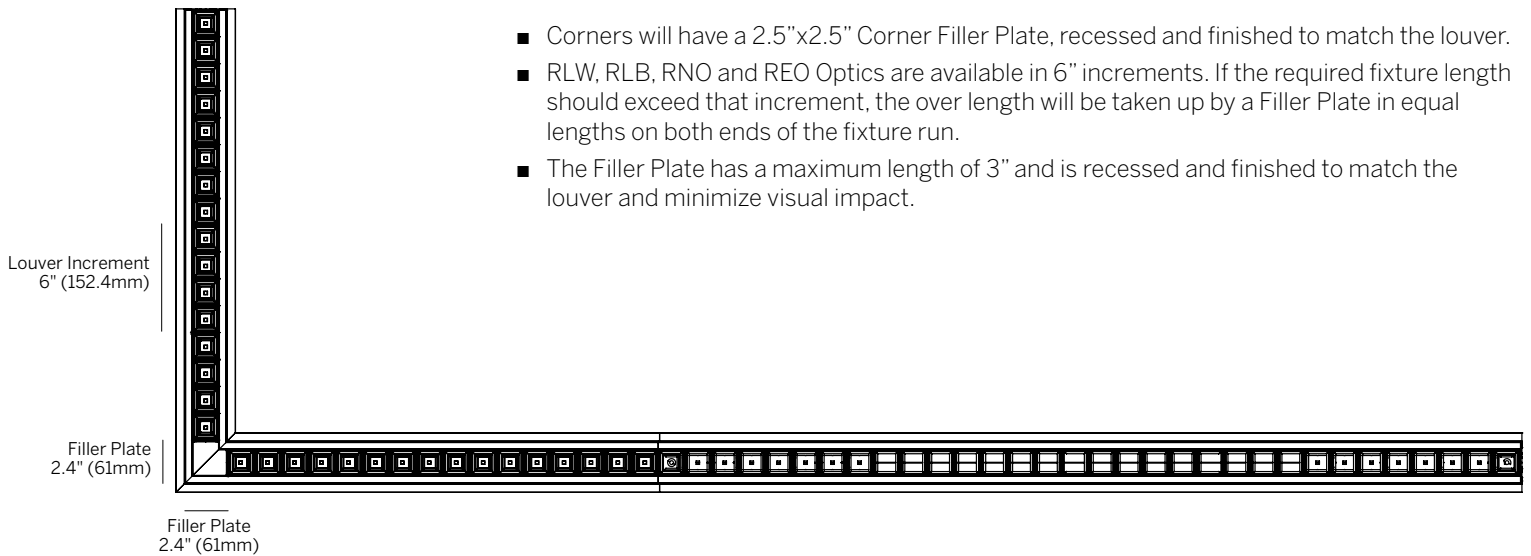
FILLER PLATE STRAIGHT RUN / LOUVER

- RLW, RLB, RNO and REO Optics are available in 6" increments. If the required fixture length should exceed that increment, the over length will be taken up by a Filler Plate in equal lengths on both ends of the fixture run.
- The Filler Plate is recessed and finished to match the louver and minimize visual impact.



FILLER PLATE CORNER CONFIGURATION / LOUVER

- Corners will have a 2.5"x2.5" Corner Filler Plate, recessed and finished to match the louver.
- RLW, RLB, RNO and REO Optics are available in 6" increments. If the required fixture length should exceed that increment, the over length will be taken up by a Filler Plate in equal lengths on both ends of the fixture run.
- The Filler Plate has a maximum length of 3" and is recessed and finished to match the louver and minimize visual impact.



ProTools 60 Linear Direct / Indirect Suspended

FILLER PLATE MULTI-CORNER / LOUVER

- Corners will have a 2.4"x2.4" Corner Filler Plate recessed and finished to match the louver.
- RLW, RLB, RNO and REO Optics are available in 6" increments. If the required fixture length should exceed that increment, the over length will be taken up by a Filler Plate in equal lengths on both ends of the fixture run.
- The Filler Plate is recessed and finished to match the louver and minimize visual impact.

