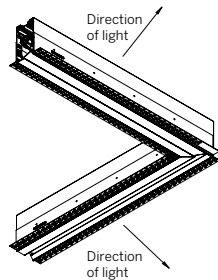
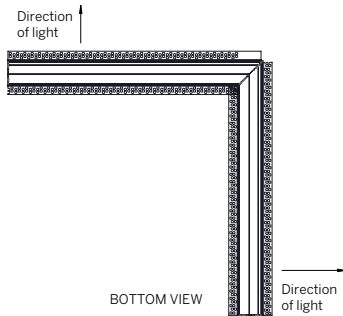
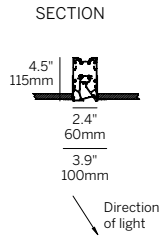
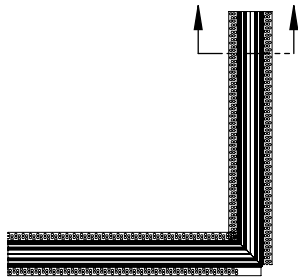


PLASTER TRIM

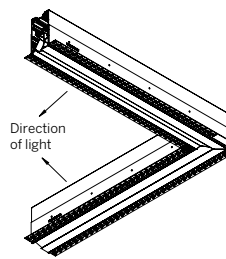
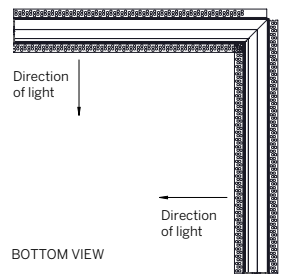
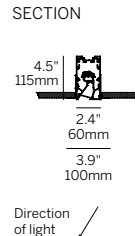
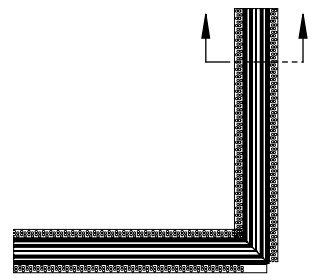
INSIDE CORNER (PI)

WG-60PTLWW-RPT-PI-...-LML-WW



OUTSIDE CORNER (PO)

WG-60PTLWW-RPT-PO-...-LML-WW

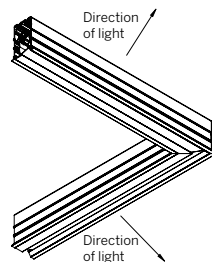
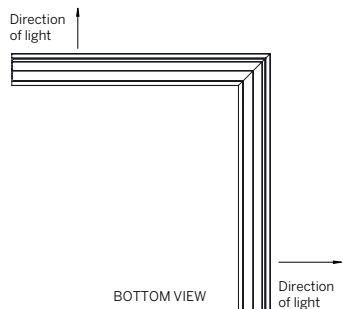
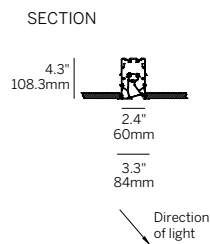
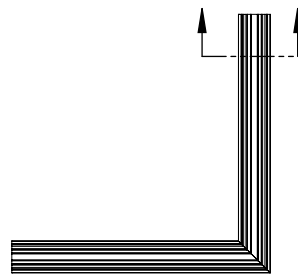


Minimum Angle 45°
Maximum Angle 180°

BEZEL / GRID TRIM

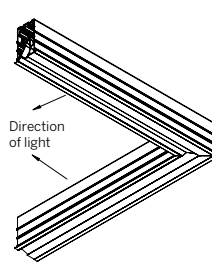
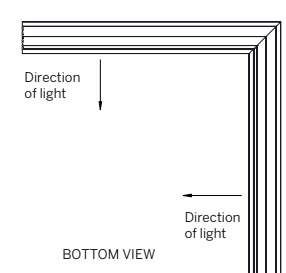
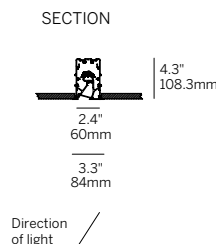
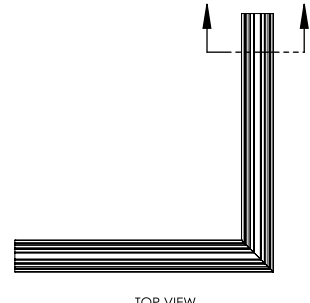
INSIDE CORNER (PI)

WG-60PTLWW-[RBT/RGT9/RGT15]-PI-...-LML-WW



OUTSIDE CORNER (PO)

WG-60PTLWW-[RBT/RGT9/RGT15]-PO-...-LML-WW

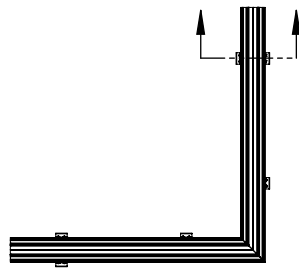


Minimum Angle 45°
Maximum Angle 180°

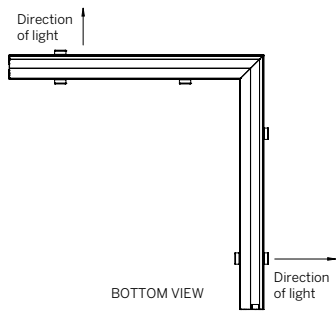
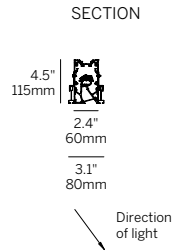
GRID TRIM

INSIDE CORNER (PI)

WG-60PTLWW-RGTS-PI-...-LML-WW

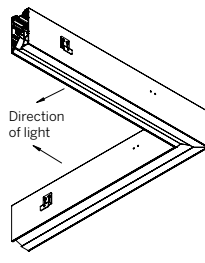
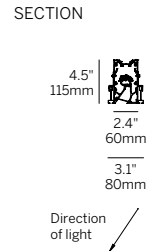
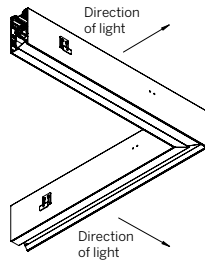


TOP VIEW



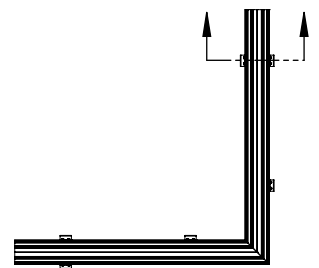
BOTTOM VIEW

Minimum Angle 45°
Maximum Angle 180°

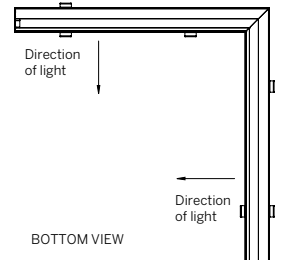


OUTSIDE CORNER (PO)

WG-60PTLWW-RGTS-PO-...-LML-WW



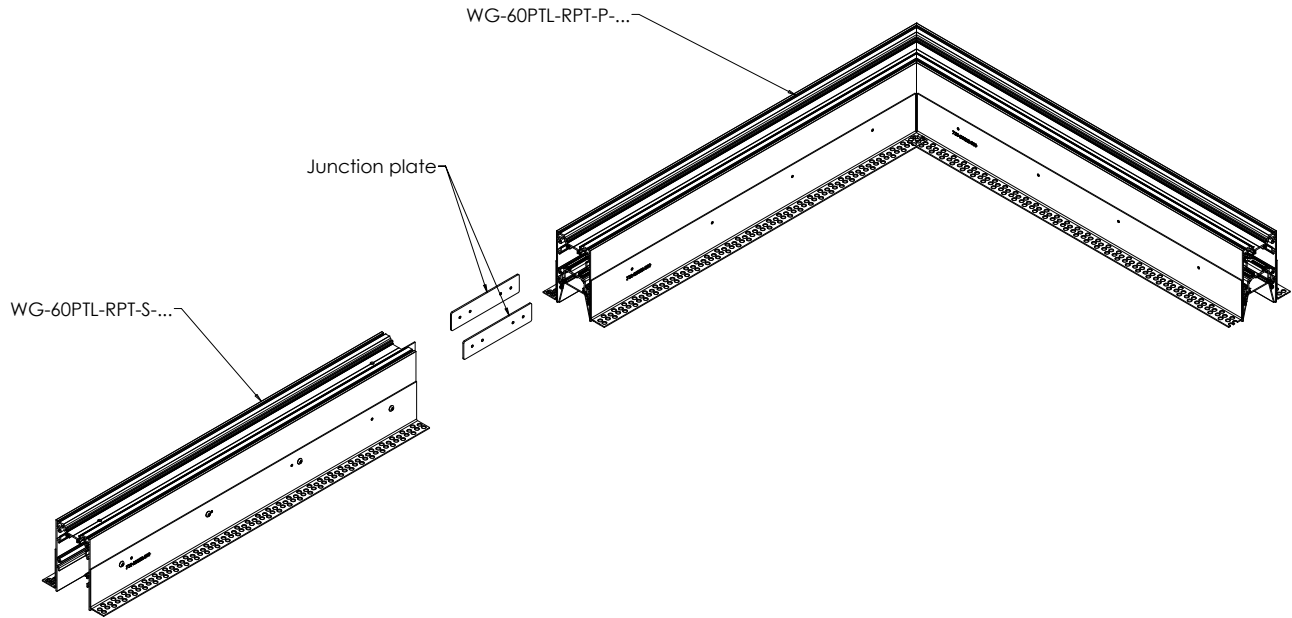
TOP VIEW



BOTTOM VIEW

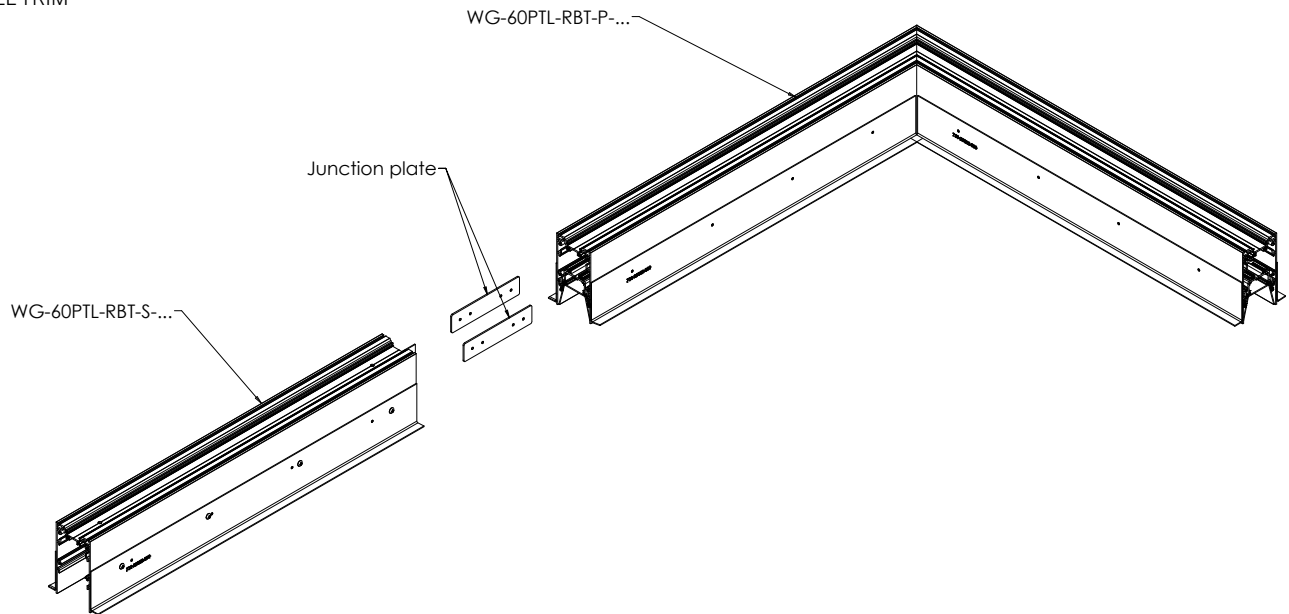
CORNER + STRAIGHT RUN CONNECTIONS

RECESSED PLASTER TRIM

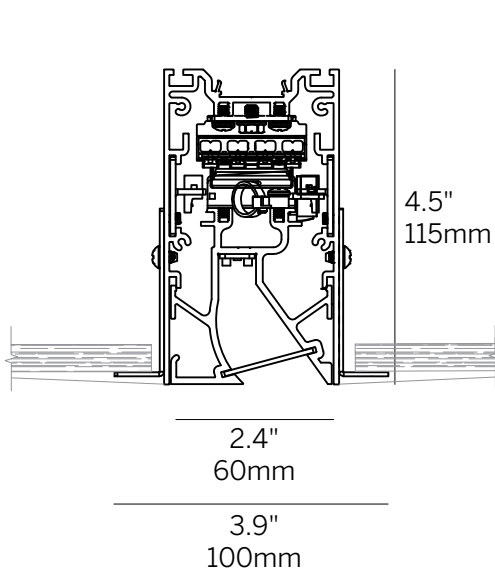


CORNER + STRAIGHT RUN CONNECTIONS

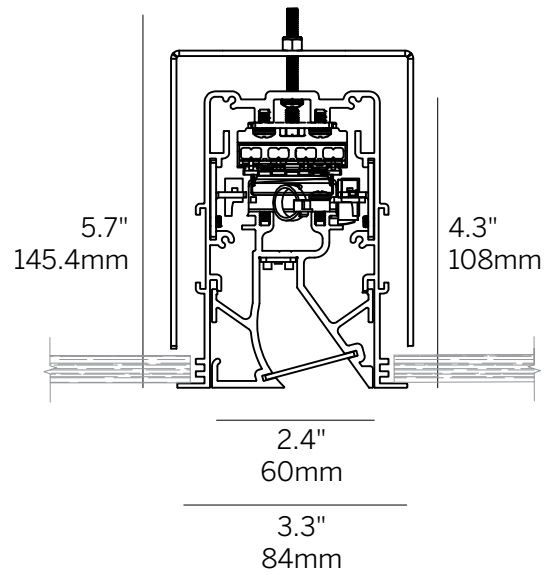
RECESSED BEZEL TRIM



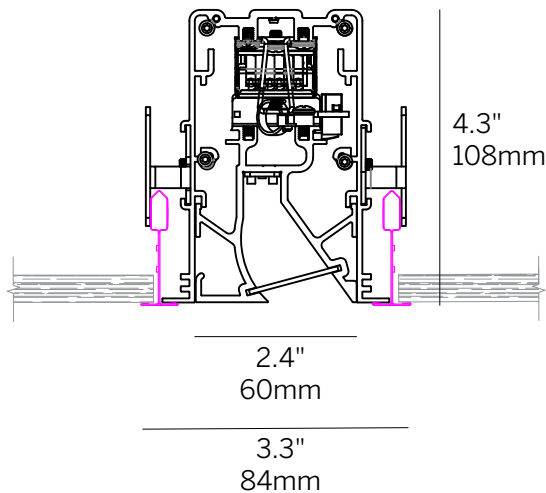
PROFILE DIMENSIONS



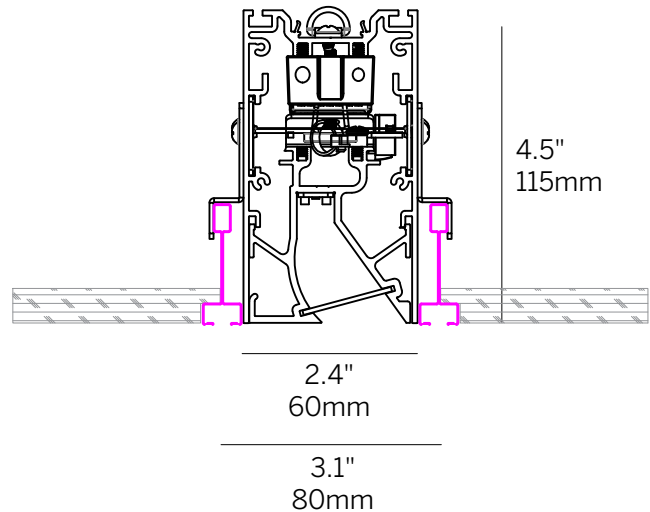
Recessed Plaster Trim
(RPT)



Recessed Bezel Trim
(RBT)



Recessed Grid Trim
9/16 (RGT9) / 15/16 (RGT15)



Recessed Trim for Slot Grid
(RGTS)

LENS DIMENSIONS

